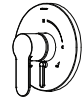








S6791TRM
Shower Trim
Specification Submittal

Location:



| | |
|---|--|
| <p>Model Numbers</p> <p><input type="checkbox"/> S6791TRM Shower Trim</p> <p>Valve Options : -S261 Series Temptrol Shower Valve with TRM modifier -S161 Series Temptrol Shower Valve requires TC modifier</p> | <p>Options/Modifications</p> <p><input type="checkbox"/> 15 CG 1.5 gpm (5.7 L/min) flow restrictor</p> <p><input type="checkbox"/> L1 Less showerhead</p> <p><input type="checkbox"/> L7 Less handle</p> <p><input type="checkbox"/> TC Test Cap Trim (includes TA-10&T-12A) <i>used with S161 series Temptrol Shower Valve</i></p> <p><input type="checkbox"/> STN Satin Nickel finish</p> <p><input type="checkbox"/> MB Matte Black finish</p> <p><input type="checkbox"/> BBZ Brushed Bronze finish</p> |
| <p>Feature Highlights</p> <ul style="list-style-type: none"> • Identity Shower Trim. • Requires Temptrol® Pressure Balancing Shower Valve. • Integral volume control. • Metal lever handle. • Single mode showerhead. • Standard 2.0 gpm (7.6 L/min) flow restrictor. • Components shall be metal and nonmetal construction, plated in standard polished chrome finish. | <p>Warranty</p> <p>Limited Lifetime - to the original end purchaser in consumer/residential installations. 10 Years - for commercial/industrial installations. Refer to www.symmons.com/warranty for complete warranty information.</p>  |
| <p>Compliance</p> <ul style="list-style-type: none"> • ASME A112.18.1/CSA B125.1 • WaterSense 1.5 gpm (5.7 L/min) 2.0 gpm (7.6 L/min) • Lever handle meets ADA requirements for operation.    | |

SKU Builder

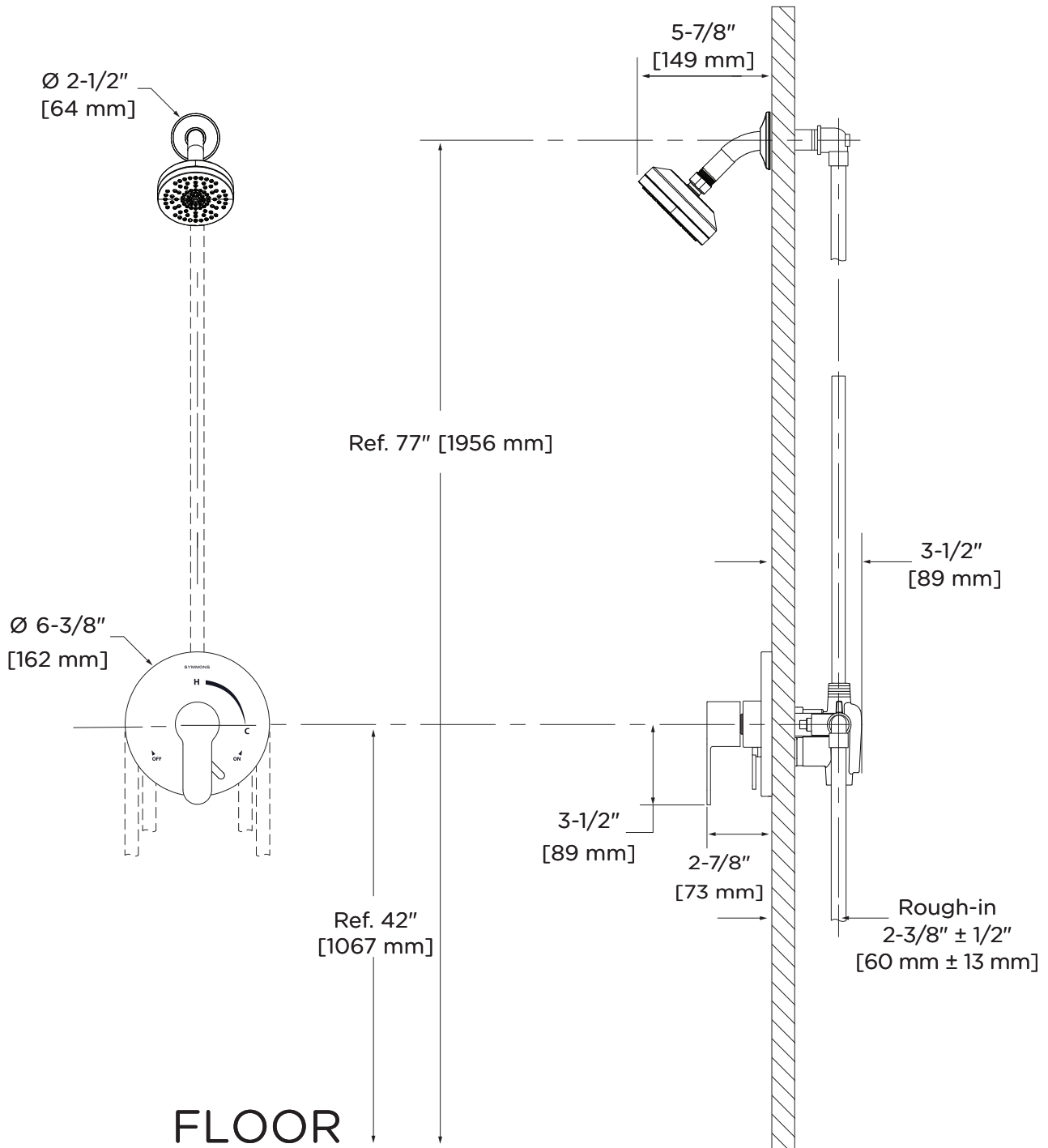
| Series | Finish | Modifier | Flow Rate | TRM (required) | TC | Final SKU |
|--------|--------|----------|-----------|----------------|----|---------------|
| S6791 | STN | | 15 | TRM | | 6791STN15TRM |
| S6791 | MB | L7 | | TRM | TC | 6791MBL7TRMTC |

Note: No more than two modifiers (L1-L7) and modifier order will follow numerical order.

Architectural/ Engineering Specification

Symmons Identity Shower Trim _____ With Identity Shower Trim powered by Temptrol® Pressure Balancing Shower Valve. Features integral volume control, metal level handle, single mode showerhead, and standard 2.0 gpm (7.6 L/min) flow restrictor. Components shall be metal and nonmetallic construction, plated in standard polished chrome finish. 10 Year commercial Warranty. ASME A112.18.1/CSA B125.1, WaterSense 1.5 gpm and 2.0 gpm complaint. Lever handle meets ADA requirements for operation. Available options include: "15 - 1.5 gpm (5.7 L/min) flow restrictor", "L1 - Less showerhead", "L7 - Less handle", "TC - Test Cap Trim", "STN - Satin Nickel finish", "MB - Matte Black finish", and "BBZ - Brushed Bronze finish".

Dimensions



Notes:

- 1) Valve body and piping not included and shown as reference only.
- 2) Plaster shield (p/n T-176) for dry wall, plaster or other type walls 1/2" or greater.
- 3) All dimensions measured from nominal rough-in.
- 4) Dimensions subject to change without notice.