

S3590BTRM
Shower Valve Trim
Specification Submittal

Location:

Model Numbers

- S3590BTRM**
Tub/Shower System Trim
- Valve options:**
 - S262 or S261 Series Temptrol Shower Valve with TRM modifier
 - S162 or S161 Series Temptrol Shower Valve with TC modifier

Feature Highlights

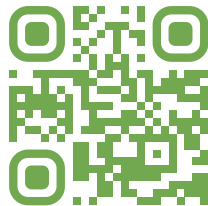
- Dia Shower Valve Trim
- Requires Temptrol® Pressure Balancing Shower Valve
- Integral volume control
- Metal lever handle
- Components shall be metal and nonmetallic construction, plated in standard Polished Chrome finish

Options/ Modifications

- Delete Suffix B** Chrome plastic escutcheon on valve with color graphic/indicators in place of standard brass escutcheon
- REB** Rebuild trim kit, includes TA-10 and TA-4
- BBZ** Brushed Bronze finish
- MB** Matte Black finish
- STN** Satin Nickel finish
- L7** Less handle
- TC** Test Cap Trim (includes TA-10&T-12A) *used with 16 series Temptrol Valve*

Warranty

Limited Lifetime - to the original end purchaser in consumer/residential installations.
10 Years - for commercial/industrial installations. Refer to www.symmons.com/warranty for complete warranty information.



Compliance

- ASME A112.18.1/CSA B125.1
- Lever handle meets ADA requirements for operation



SKU Builder

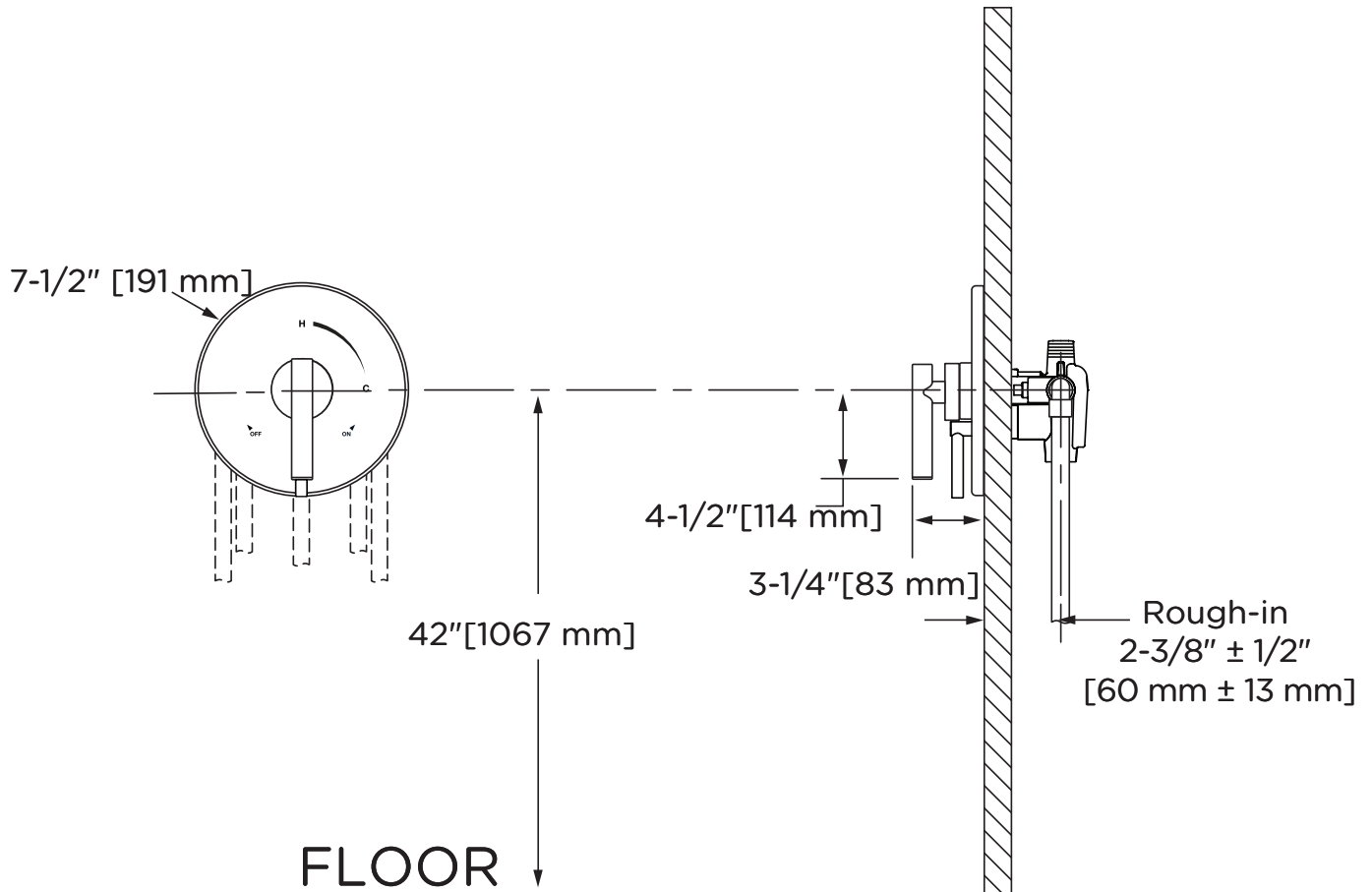
Series	Finish	Modifier	Flow Rate	TRM (required)	TC	Final SKU
S3590	STN			TRM		3590STNTRM
S3590B	MB	L7		TRM	TC	3590BMBL7TRMTC

Note: No more than two modifiers (L1-L7) and modifier order will follow numerical order.

Architectural/ Engineering Specification

Symmons Dia Shower Valve Trim _____ Includes Dia Shower Valve Trim, Requires Temptrol® Pressure Balancing Shower Valve. Features integral volume control and metal lever handle. Components shall be metal and nonmetallic construction, plated in standard Polished Chrome finish. 10 Year Commercial Warranty. ASME A112.18.1/CSA B125.1 compliant. Available options: "Delete Suffix B - Chrome plastic escutcheon", "REB - Rebuild trim kit, includes TA-10 and TA-4", "BBZ - Brushed Bronze finish", "MB - Matte Black finish", "STN - Satin Nickel finish", "L7 - Less handle", and "TC - Test Cap Trim".

Dimensions



Notes:

- 1) Valve body and piping not included and shown as reference only.
- 2) Plaster shield (p/n T-176) from dry wall, plaster or other type walls 1/2" or greater.
- 3) All dimensions measured from nominal rough-in.
- 4) Dimensions are subject to change without notice.