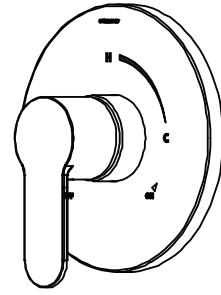




SYMMONS Identity®

Location:



6790TRM Shower Valve Trim Specification Submittal

Model Numbers

- 6790TRM**
Shower Valve Trim
- Valve Options:**
-262 or 261 Series Temptrol Shower Valve with TRM modifier
-162 or 161 Series Temptrol Shower Valve requires TC modifier

Feature Highlights

- Identity Shower Valve Trim.
- Requires Temptrol® Pressure Balancing Shower Valve.
- Integral diverter control.
- Metal lever handle.
- Components shall be metal and nonmetallic construction, plated in standard polished chrome finish.

Compliance

- ASME A112.18.1/CSA B125.1
- Lever handle meets ADA requirements for operation



Options/Modifications

- VP** Vandal resistant escutcheon screws in place of standard screws
- REB** Rebuild trim kit, includes TA-10 and TA-4
- TC** Test Cap Trim (includes TA-10&T-12A) *used with 161/162 series Temptrol Shower Valve*
- STN** Satin Nickel finish
- MB** Matte Black finish
- BBZ** Brushed Bronze finish

Warranty

Limited Lifetime - to the original end purchaser in consumer/residential installations.

10 Years - for commercial/industrial installations. Refer to www.symmons.com/warranty for complete warranty information.



SKU Builder

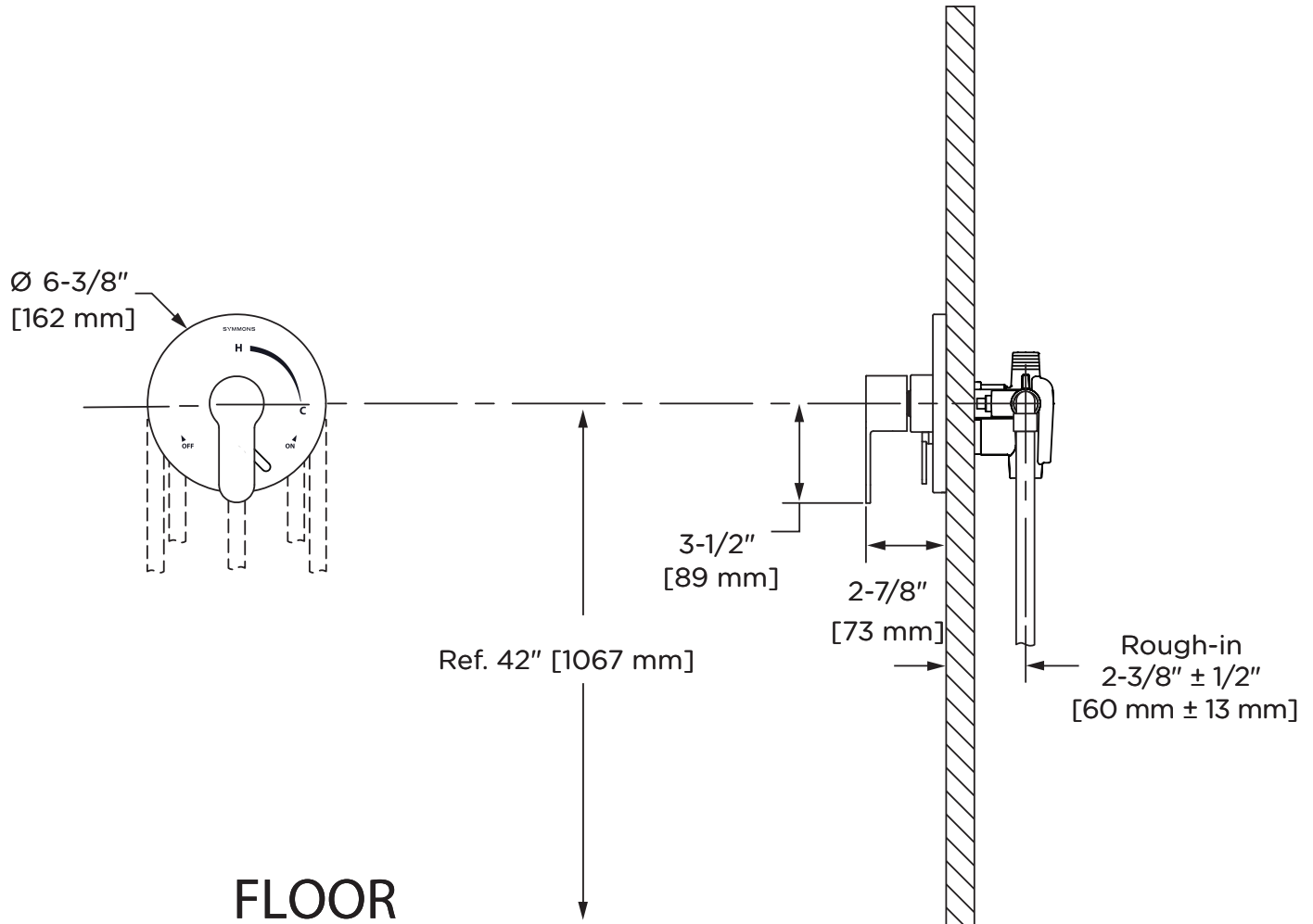
Series	Finish	Modifier	Flow Rate	TRM (required)	TC	Final SKU
6790	STN		15	TRM		6790STN15TRM
6790	MB	L2		TRM	TC	6790MBL2TRMTC

Note: No more than two modifiers (L1-L7) and modifier order will follow numerical order.

Architectural/ Engineering Specification

Symmons Identity _____ Includes Identity Shower Valve Trim powered by Temptrol® Pressure Balancing Shower Valve. Features metal lever handle and integral diverter control. Components shall be metal and nonmetallic construction, and plated in standard polished chrome finish. 10 Year commercial Warranty. ASME A112.18.1/CSA B125.1 complaint Lever handle meets ADA requirements for operation. Available options include: "VP - Vandal resistantescutcheon screws", "REB - Rebuild trim kit", "TC - Test Cap Trim", "STN - Satin nickel finish", "MB - Matte Black finish", and "BBZ - Brushed Bronze finish".

Dimensions



Notes:

- 1) Valve body and piping not included and shown as reference only.
- 2) Plaster shield (p/n T-176) for dry wall, plaster or other type walls 1/2" or greater.
- 3) All dimensions measured from nominal rough-in.
- 4) Dimensions subject to change without notice.