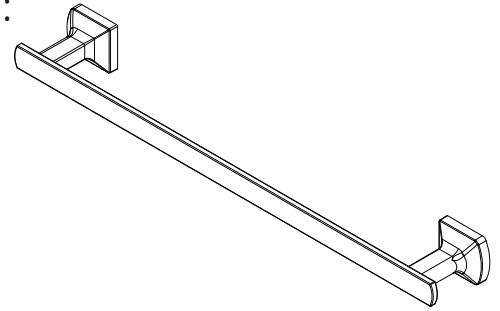




SYMMONS® Verity®


Location:



493TB18, 493TB24

Towel Bar

Specification Submittal

<p>Model Numbers</p>	<p>Options/Modifications</p>
<p><input type="checkbox"/> 493TB18 18 in. Towel Bar</p> <p><input type="checkbox"/> 493TB24 24 in. Towel Bar</p>	<p><input type="checkbox"/> STN Satin Nickel finish</p> <p><input type="checkbox"/> MB Matte Black finish</p>
<p>Feature Highlights</p>	<p>Warranty</p>
<ul style="list-style-type: none"> • Metal construction • Standard finish is polished chrome • RA-030 mounting hardware included 	<p>Limited Lifetime - to the original end purchaser in consumer/residential installations.</p> <p>10 Years - for commercial/industrial installations. Refer to www.symmons.com/warranty for complete warranty information.</p> 

Architectural/Engineering Specification

Symmons _____ towel bar includes metal construction, polished chrome standard finish, and RA-030 mounting hardware. 10 Year Commercial Warranty. Available options: "STN - Satin Nickel finish", and "MB - Matte Black finish".

Dimensions

