






3595BTRM  
Shower/ Hand Shower Trim  
**Specification Submittal**

Location:

<p><b>Model Numbers</b></p> <p><input type="checkbox"/> <b>3595BTRM</b> Shower/Hand Shower System Trim</p> <p><b>Valve Options:</b> - 261 Series Temptrol Shower Valve with TRM modifier - 161 Series Temptrol Shower Valve requires TC modifier - 2DIVBODYSRT Diverter Valve</p>	<p><b>Modifications</b></p> <p><input type="checkbox"/> <b>15</b>  1.5 gpm (5.7 L/min) flow restrictor</p> <p><input type="checkbox"/> <b>175</b> 1.75 gpm (6.6 L/min) flow restrictor</p> <p><input type="checkbox"/> <b>Delete Suffix B</b> Chrome plastic escutcheon on valve with color graphics/indicators in place of standard brass escutcheon</p> <p><input type="checkbox"/> <b>L1</b> Less showerhead</p> <p><input type="checkbox"/> <b>L2</b> Less hand shower wand</p> <p><input type="checkbox"/> <b>L3</b> Less showerhead &amp; hand shower wand</p> <p><input type="checkbox"/> <b>L4</b> Less showerhead, shower arm &amp; flange</p> <p><input type="checkbox"/> <b>L5</b> Less hand shower system (less bar/cradle, hose, wand &amp; elbow)</p> <p><input type="checkbox"/> <b>L7</b> Less handle</p> <p><input type="checkbox"/> <b>STN</b> Satin Nickel finish</p> <p><input type="checkbox"/> <b>MB</b> Matte Black finish</p> <p><input type="checkbox"/> <b>BBZ</b> Brushed Bronze finish</p> <p><input type="checkbox"/> <b>1L</b> "1" Spindle Extension</p> <p><input type="checkbox"/> <b>TC</b> Test Cap Trim (includes TA-10&amp;T-12A) <i>used with 161 series Temptrol Valve</i></p>
<p><b>Feature Highlights</b></p> <ul style="list-style-type: none"> <li>• Dia Hand Shower Trim.</li> <li>• Requires Temptrol pressure balancing shower valve.</li> <li>• Adjustable stop screw to limit handle turn.</li> <li>• 30" slide bar.</li> <li>• Separate two function diverter.</li> <li>• Metal lever handle.</li> <li>• 60" flexible metal hose.</li> <li>• 7 mode hand shower.</li> <li>• 7 mode showerhead.</li> <li>• Standard 2.0 gpm (7.6 L/min) flow restrictors.</li> <li>• Components are made from metal and nonmetal materials plated in standard polished chrome finish.</li> </ul>	<p><b>Warranty</b></p> <p><b>Limited Lifetime</b> - to the original end purchaser in consumer/residential installations.</p> <p><b>10 Years</b> - for commercial/industrial installations. Refer to <a href="http://www.symmons.com/warranty">www.symmons.com/warranty</a> for complete warranty information.</p> 
<p><b>Compliance</b></p> <p>-ASME A112.18.1/CSA B125.1 -WaterSense 1.5 gpm (5.7 L/min) 1.75 gpm (6.6 gpm) 2.0 gpm (7.6 L/min) -Lever handle meets ADA requirements for operation</p>   	

**SKU Builder**

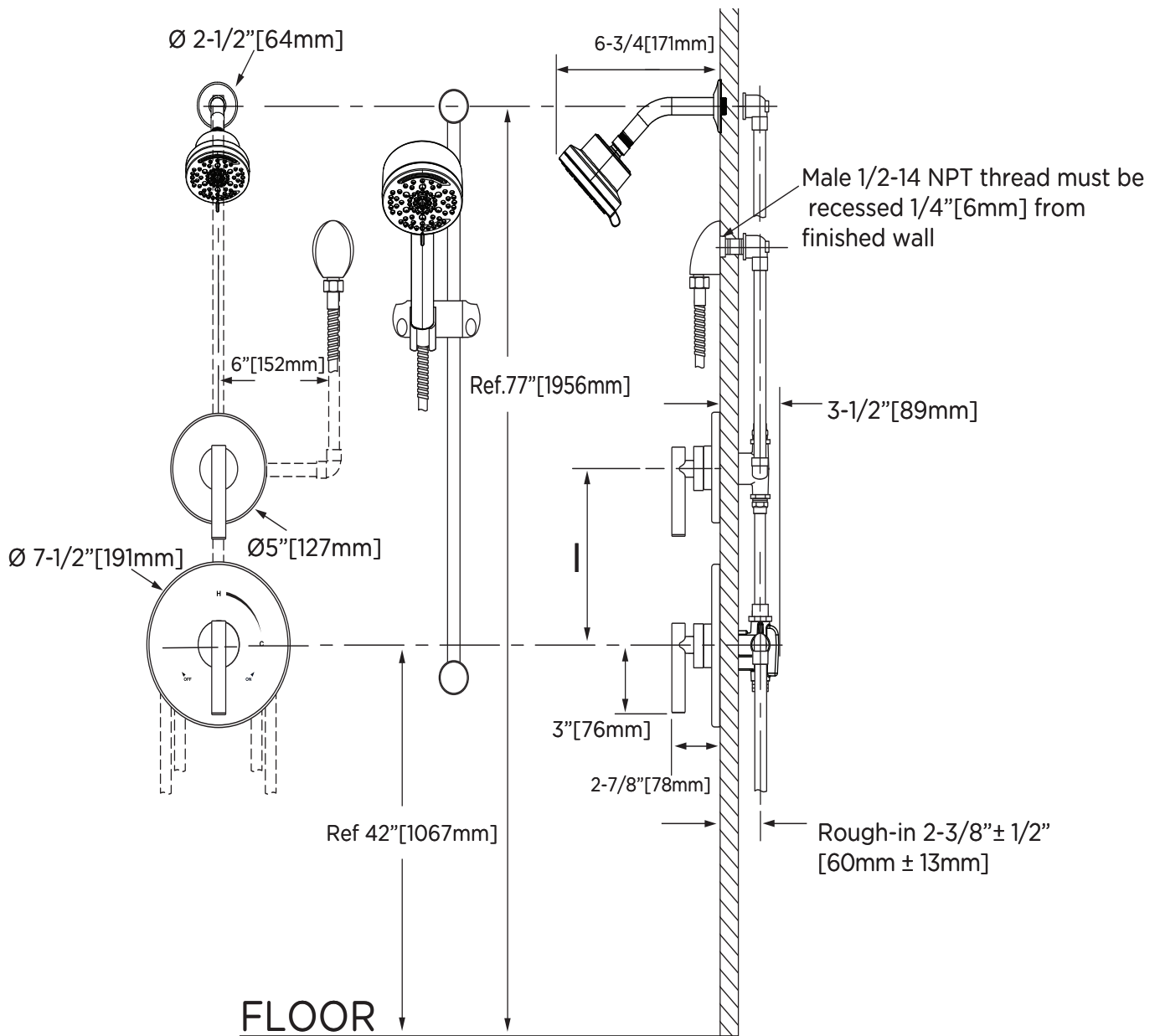
Series	Finish	Modifier	Flow Rate	Trim (required)	Test Cap	1L	Final SKU
3595B	MB	L1	175	TRM	TC		3595BMBL1175TRMTC
3595	BBZ	L7		TRM		1L	3595BBZL7TRM1L

**Note:** No more than two modifiers (L1-L7) and modifier order will follow numerical order.

**Architectural/Engineering Specification**

Symmons Dia Shower and Hand Shower System \_\_\_\_\_ Includes Dia shower trim powered by Temptrol® Pressure Balancing valve. Features adjustable stop screw to limit handle turn, 30" slide bar, 60" flexible metal hose, 7 mode hand shower, 7 mode showerhead, and standard 2.0 gpm (7.6 L/min) flow restrictors. Components made from metal and nonmetallic materials plated in standard polished chrome finish. 10 Year Commercial Warranty. Lever handle meets ADA requirements for operation. ASME A112.18.1/CSA B125.1, WaterSense 1.5 gpm (5.7 L/min), 1.75 gpm (6.6 L/min), and 2.0 gpm (7.6 L/min) compliant. Available options: "15 - 1.5 gpm (5.7 L/min) flow restrictor", "175 - 1.75 gpm (6.6 L/min) flow restrictor", "Delete Suffix B - Chrome plastic escutcheon", "L1 - Less showerhead", "L2 - Less hand shower wand", "L3 - Less showerhead and hand shower wand", "L4 - Less showerhead, shower arm and flange", "L5 - Less hand shower system", "L7 - Less handle", "STN - Satin Nickel finish", "MB - Matte Black finish", "BBZ - Brushed Bronze finish", "1L - 1 inch Spindle Extension", and "TC - Test Cap Trim".

# Dimensions



**Notes:**

- 1) Valve body and piping not included and shown as reference only.
- 2) Plaster shield (p/n T-176) from dry wall, plaster or other type walls 1/2" or greater.
- 3) All dimensions measured from nominal rough-in.
- 4) Dimensions are subject to change without notice.