



SYMMONS® Elm®

Location:



SLS5512PP

Lavatory Faucet

Specification Submittal

Model Numbers

- SLS5512PP** Lavatory Faucet with Push Pop Drain Assembly

Options/ Modifications

- STN** **Satin Nickel**
- MB** **Matte Black finish**
- BBZ** **Brushed Bronze finish**

Note: Append appropriate suffix to model number.

Compliance

- ASME A112.18.1/CSA B125.1
- NSF/ANSI/CAN 61: Q<1, NSF/ANSI 372
- WaterSense 1.0gpm (3.8 L/min)



Feature Highlights

- Single post round lavatory faucet with swivel lever handle
- Single hole deck mounting and optional 4 inch deck plate
- Single lever cartridge with ceramic control components
- 3/8 inch copper supply lines with 1/2 inch IPS fittings
- Aerator with standard 1.0 gpm flow rate (3.8 L/min)
- Metal construction
- Polished chrome finish (standard)

Warranty

Limited Lifetime - to the original end purchaser in consumer/residential installations.

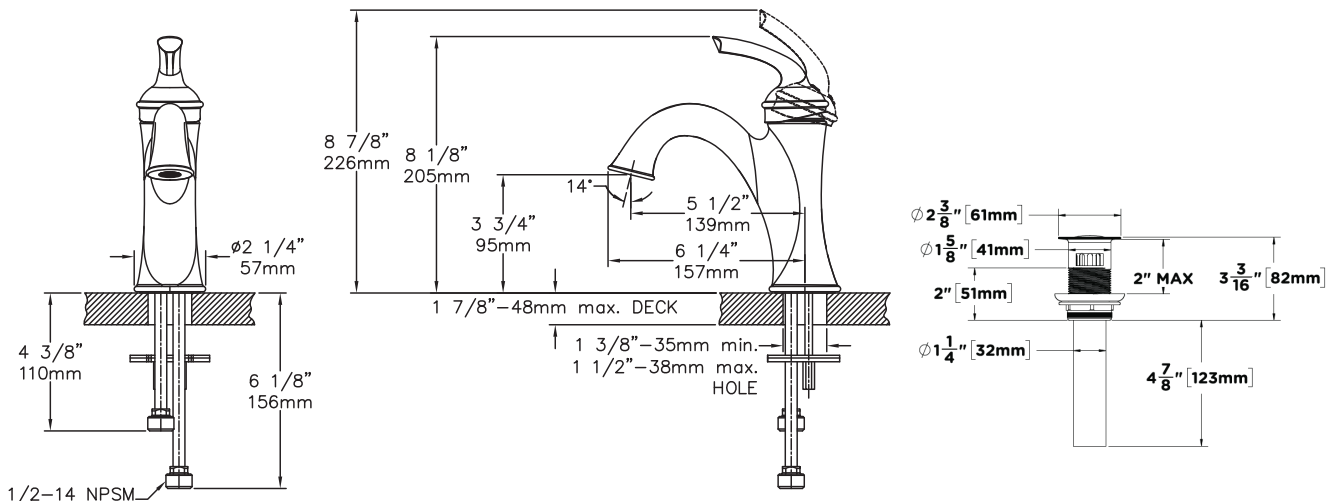
10 Years - for commercial/industrial installations. Refer to www.symmons.com/warranty for complete warranty information.



Architectural/ Engineering Specification

Symmons Elm Lavatory Faucet _____ With Single post round lavatory faucet with swival lever handle, Single hole deck mounting and optional 4 inch deck plate, Single lever cartridge with ceramic control components, 3/8 inch copper supply lines with 1/2 inch IPS fittings, Aerator with standard 1.0 gpm flow rate (3.8 L/min), Metal construction, Polished chrome finish. 10 Year Commercial Warranty. ASME A112.18.1/CSA B125.1, NSF/ANSI/CAN 61: Q<1, NSF/ANSI 372, WaterSense 1.0 gpm(3.8 L/min), complaint. Available options include: "STN - Satin nickel", "MB - Matte Black finish", "BBZ - Brushed Bronze finish".

Dimensions



Note: Dimensions subject to change without notice.