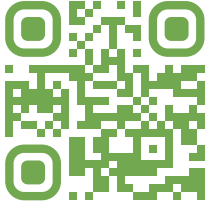




Location:



SLS3512PP
Single Handle Lavatory Faucet
Specification Submittal

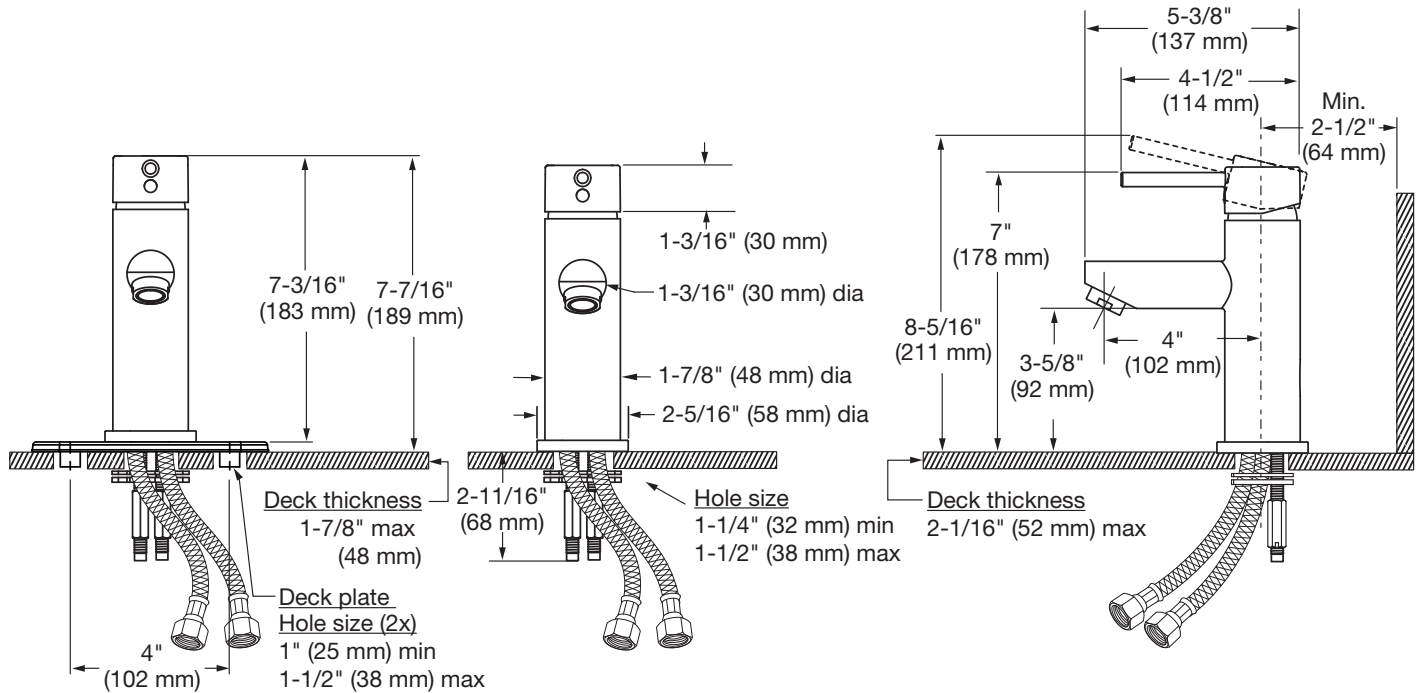


Model Numbers	Feature Highlights
<input type="checkbox"/> SLS3512PP Single Handle Lavatory Faucet with push-pop metal drain assembly	<ul style="list-style-type: none"> • Single hole mount configuration • Single lever cartridge with ceramic control components • 23" braided hose water supply connections • 7-1/8" height • Standard 1.0gpm (3.8 L/min) flow rate • Faucet shall be metal construction, plated in standard polished chrome finish
Options/ Modifications <ul style="list-style-type: none"> <input type="checkbox"/> O5 0.5 gpm (1.9 L/min) flow restrictor <input type="checkbox"/> DP4 4" deck plate <input type="checkbox"/> BBZ Brushed Bronze finish <input type="checkbox"/> MB Matte Black finish <input type="checkbox"/> STN Satin Nickel finish <p>Note: Append appropriate suffix to model number.</p>	
Compliance <ul style="list-style-type: none"> -ASME A112.18.1/CSA B125.1 -NSF/ANSI/CAN 61: Q<1, NSF/ANSI 372 -WaterSense 1.0gpm <div style="display: flex; justify-content: space-around; align-items: center;">   </div>	Warranty <p>Limited Lifetime - to the original end purchaser in consumer/residential installations. 10 Years - for commercial/industrial installations. Refer to www.symmons.com/warranty for complete warranty information.</p> 

Architectural/ Engineering Specification

Symmons Dia Single Handle Lavatory Faucet _____ Includes Single hole mount configuration, Single lever cartridge with ceramic control components, 23" braided hose water supply connections, 7-1/8" height, Standard 1.0gpm (3.8 L/min) flow rate, Faucet shall be metal construction, plated in standard polished chrome finish. 10 Year Commercial Warranty. ASME A112.18.1/CSA B125.1, NSF/ANSI/CAN 61: Q<1, NSF/ANSI 372, WaterSense 1.0gpm compliant. Available options: "O5 - 0.5 gpm (1.9 L/min) flow restrictor", "DP4 - 4" deck plate", "BBZ - Brushed Bronze finish", "MB - Matte Black finish", "STN - Satin Nickel finish".

Dimensions



Note: Dimensions subject to change without notice.

