
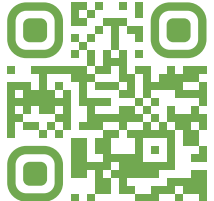


Location:



SLC6712PP Two Handle Centerset Lavatory Faucet Specification Submittal

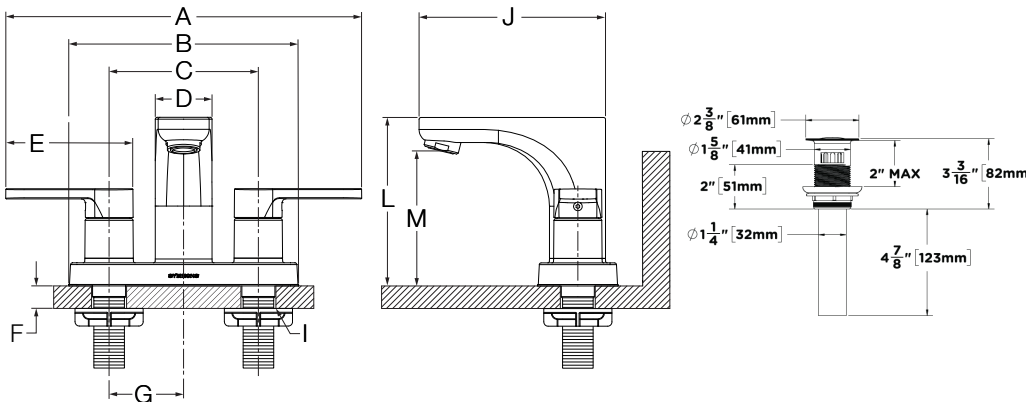


Model Numbers <input type="checkbox"/> SLC6712PP Two Handle Centerset Lavatory Faucet with Push Pop Drain Assembly	Feature Highlights <ul style="list-style-type: none"> • Two handle centerset lavatory faucet features 4" mount • Ceramic cartridges • 1/2" IPS inlet connections • 1.0 gpm (3.8 L/min) standard flow rate • Faucet constructed from brass • Plated in standard polished chrome finish
Options/ Modifications <input type="checkbox"/> STN Satin nickel finish <input type="checkbox"/> BBZ Brushed Bronze finish <input type="checkbox"/> MB Matte Black finish Note: Append appropriate -suffix to model number.	Warranty Limited Lifetime - to the original end purchaser in consumer/residential installations. 10 Years - for commercial/industrial installations. Refer to www.symmons.com/warranty for complete warranty information.
Compliance -ASME A112.18.1/CSA B125.1 -NSF/ANSI/CAN 61: Q<1, NSF/ANSI 372 -WaterSense 1.0 gpm	 

Architectural/ Engineering Specification

Symmons Identity Two Handle Centerset Lavatory Faucet _____ Includes Two handle centerset lavatory faucet features 4" mount, Ceramic cartridges, 1/2" IPS inlet connections, 1.0 gpm (3.8 L/min) standard flow rate, Faucet constructed from brass, Plated in standard polished chrome finish. 10 Year Commercial Warranty. ASME A112.18.1/CSA B125.1, NSF/ANSI/CAN 61: Q<1, NSF/ANSI 372, WaterSense 1.0 gpm compliant. Available options: "STN - Satin nickel finish", "BBZ - Brushed Bronze finish", "MB - Matte Black finish".

Dimensions



Measurements	
A	9-1/2", 241 mm
B	6-1/8", 156 mm
C	4", 102 mm
D	1-1/2", 38 mm
E	(2x) 3-3/8", 86 mm
F	Deck Thickness Ref. Min. 3/4", 19 mm Max. 1-1/2", 38 mm
G	(2x) 2", 51 mm
I	(2x) Hole Size Min. Ø 1-1/8", 29 mm Max. Ø 1-1/4", 32 mm
J	5", 127 mm
L	4-1/2", 114 mm
M	3-5/8", 92 mm

Note: Dimensions subject to change without notice.