





# Location:



6701-TRM, 6701TRM  
Shower Trim  
Specification Submittal

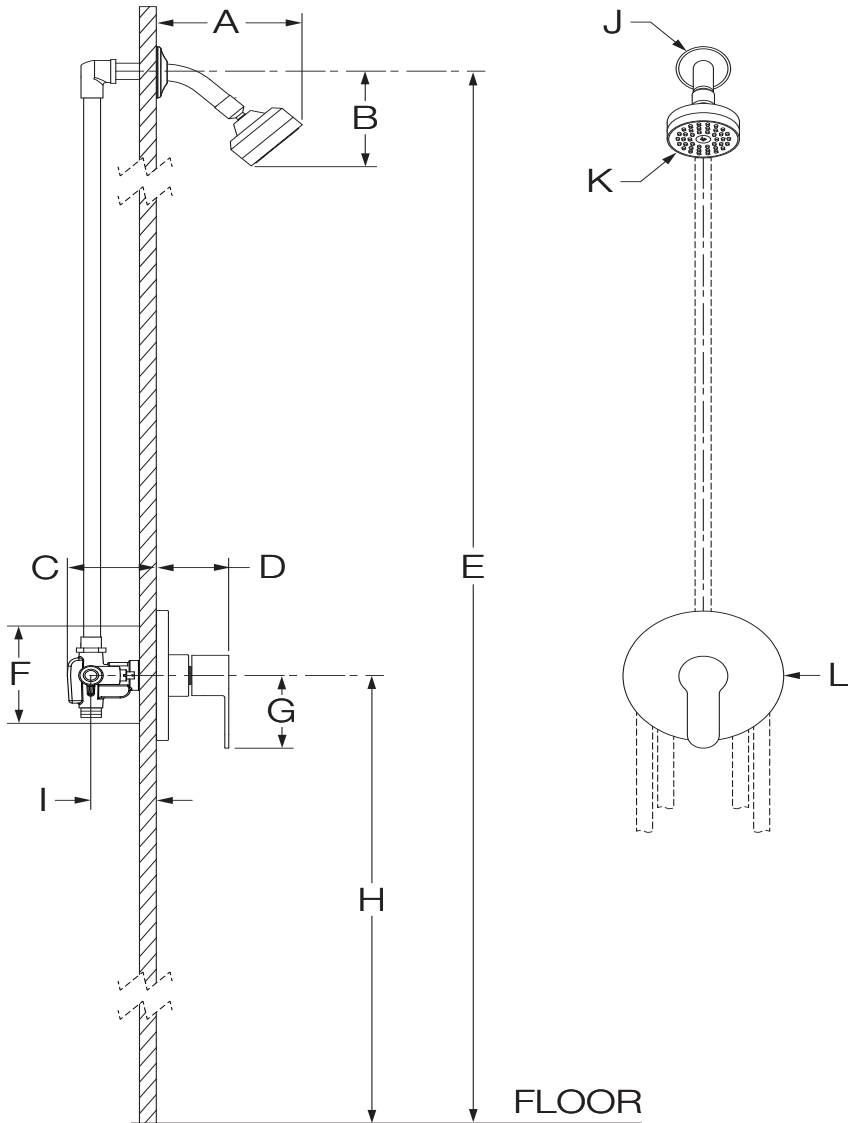


Feature Highlights	Options/Modifications
<ul style="list-style-type: none"> <li>Identity Shower Trim</li> <li>Requires Temptrol® Pressure Balancing Shower Valve</li> <li>Metal lever handle</li> <li>1 mode showerhead with easy to clean nozzles</li> <li>2.0 gpm (7.6 L/min) flow restrictor</li> <li>Tub spout not included</li> <li>Components shall be metal and nonmetallic construction, plated in standard Polished Chrome finish</li> <li>Available with TA-10 flow control spindle and T-12A cap assembly for Temptrol valve bodies installed with Test Cap (order p/n 6701TRMTC)</li> </ul>	<ul style="list-style-type: none"> <li><input type="checkbox"/> <b>-1.5</b>  1.5 gpm (5.7 L/min) flow restrictor</li> <li><input type="checkbox"/> <b>L1</b> Less showerhead</li> <li><input type="checkbox"/> <b>L7</b> Less handle</li> <li><input type="checkbox"/> <b>TC</b> Test Cap Trim</li> <li><input type="checkbox"/> <b>-STN</b> Satin Nickel finish</li> <li><input type="checkbox"/> <b>-MB</b> Matte Black finish</li> <li><input type="checkbox"/> <b>-BBZ</b> Brushed Bronze finish</li> </ul>
Model Numbers	Warranty
<ul style="list-style-type: none"> <li><input type="checkbox"/> <b>6701-TRM</b> Shower Trim, Temptrol Pressure Balancing Shower Valve order separately (modifiers include decimal points and hyphens) <b>Note:</b> To create sku, follow the format: Base SKU -&gt; Finish -&gt; Flow Rate (If lower than standard) -&gt; TRM</li> <li><input type="checkbox"/> <b>6701TRM</b> Shower Trim (use when ordering L1-L7 and TC modifications, do not use hyphens or decimal points) <b>Note:</b> To create sku, follow the format: Base SKU -&gt; Finish -&gt; Modifier (L1-L7) -&gt; Flow Rate (If lower than standard) -&gt; TRM -&gt; TC</li> </ul>	<p><b>Limited Lifetime</b> - to the original end purchaser in consumer/residential installations.</p> <p><b>10 Years</b> - for commercial/industrial installations. Refer to <a href="http://www.symmons.com/warranty">www.symmons.com/warranty</a> for complete warranty information.</p>  <p><b>Compliance</b></p> <ul style="list-style-type: none"> <li>ASME A112.18.1/CSA B125.1</li> <li>WaterSense 1.5 gpm (5.7 L/min) 2.0 gpm (7.6 L/min)</li> </ul>  

## Architectural/ Engineering Specification

Symmons Identity Shower Trim \_\_\_\_\_ With Identity Shower Trim, Requires Temptrol® Pressure Balancing Shower Valve, Metal lever handle, 1 mode showerhead with easy to clean nozzles, 2.0 gpm (7.6 L/min) flow restrictor, Tub spout not included, Components shall be metal and nonmetallic construction, plated in standard Polished Chrome finish, Available with TA-10 flow control spindle and T-12A cap assembly for Temptrol valve bodies installed with Test Cap. 10 Year commercial Warranty. ASME A112.18.1/CSA B125.1, WaterSense 1.5 gpm (5.7 L/min) 2.0 gpm (7.6 L/min) complaint. Available options include: "-1.5 - 1.5 gpm (5.7 L/min) flow restrictor", "L1 - Less showerhead", "L7 - Less handle", "TC - Test Cap Trim", and "-STN - Satin nickel finish", "-MB - Matte Black finish", "-BBZ - Brushed Bronze finish".

## Dimensions



Measurements	
A	5-7/8", 149 mm
B	4-5/8", 117 mm
C	3-1/2", 89 mm
D	2-7/8", 73 mm
E	Ref. 77", 1956 mm
F	Shower Valve Hole Size Min. Ø 3", 76 mm Max. Ø 4", 102 mm
G	3-1/2", 89 mm
H	Ref. 42", 1067 mm
I	Rough-in 2-3/8" ± 1/2", 60 mm ± 13 mm
J	Ø 2-1/2", 64 mm
K	Ø 3-1/8", 79 mm
L	Ø 6-3/8", 162 mm

### Notes:

- 1) Valve body and piping not included and shown as reference only.
- 2) Plaster shield (p/n T-176) for dry wall, plaster or other type walls 1/2" or greater.
- 3) All dimensions measured from nominal rough-in (see I as reference).
- 4) Dimensions subject to change without notice.