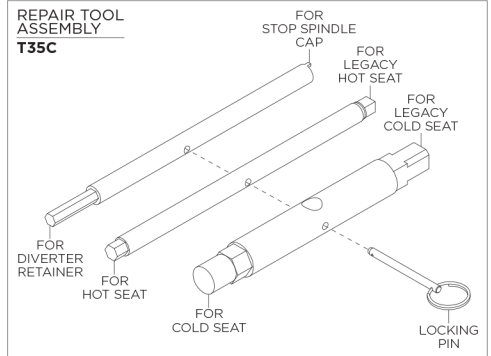
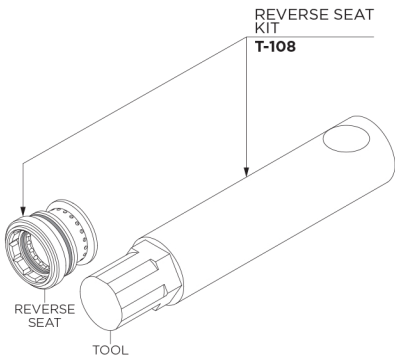
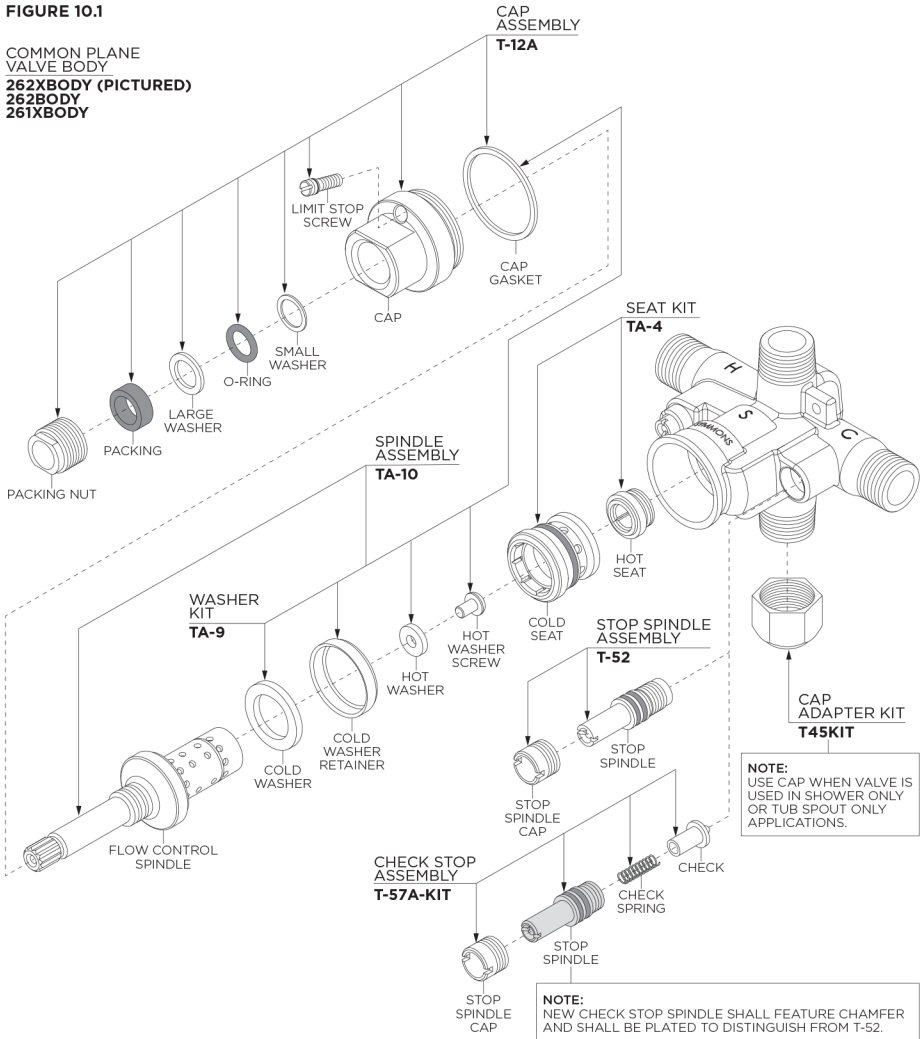


**FIGURE 10.1**

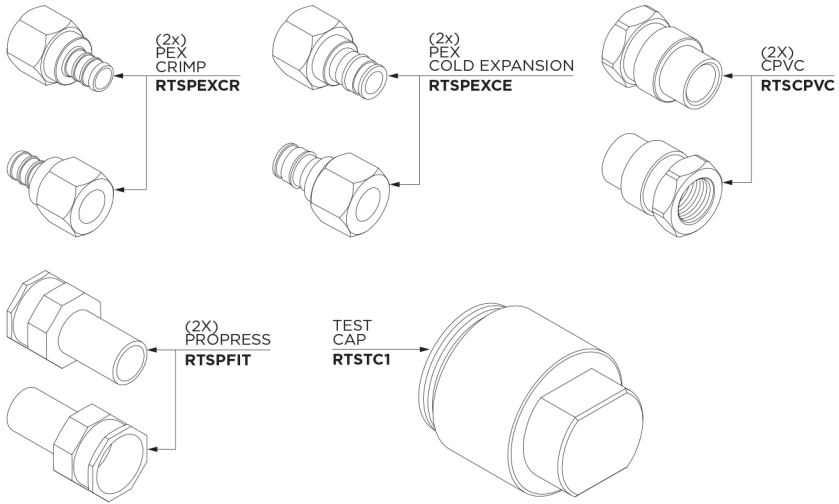
COMMON PLANE  
VALVE BODY  
**262XBODY (PICTURED)**  
**262BODY**  
**261XBODY**



# PARTS BREAKDOWN

FIGURE 10.2

## VALVE BODY FITTING MODIFICATIONS



## MOUNTING BRACKET COMPONENTS

