

Location:



9600-P, 9600-P-TRM, 9600PTRMTC  
 Shower Valve Trim  
**Specification Submittal**

**Feature Highlights**

- Origins Shower Valve System or Trim
- Requires Temptrol® Pressure Balancing Shower Valve (included with 9600-P)
- Adjustable stop screw to limit handle turn (included with 9600-P)
- Tri-star handle
- Diverter tub spout not included
- Showerhead not included
- Components shall be metal and nonmetallic construction, plated in standard Polished Chrome finish
- Available with TA-10 flow control spindle and T-12A cap assembly for Temptrol valve bodies installed with Test Cap (order p/n 9600PTRMTC)

**Model Numbers**

- 9600-P**  
Shower Valve Trim with Temptrol Pressure Balancing Shower Valve
- 9600-P-TRM**  
Shower Valve Trim, Temptrol Pressure Balancing Shower Valve ordered separately
- 9600PTRMTC**  
Shower Valve Trim with TA-10 flow control spindle and T-12A cap assembly, must order Temptrol valve with Test Cap

**Compliance**



- ASME A112.18.1/CSA B125.1
- Buy American Act (9600-P only)



**Warranty**

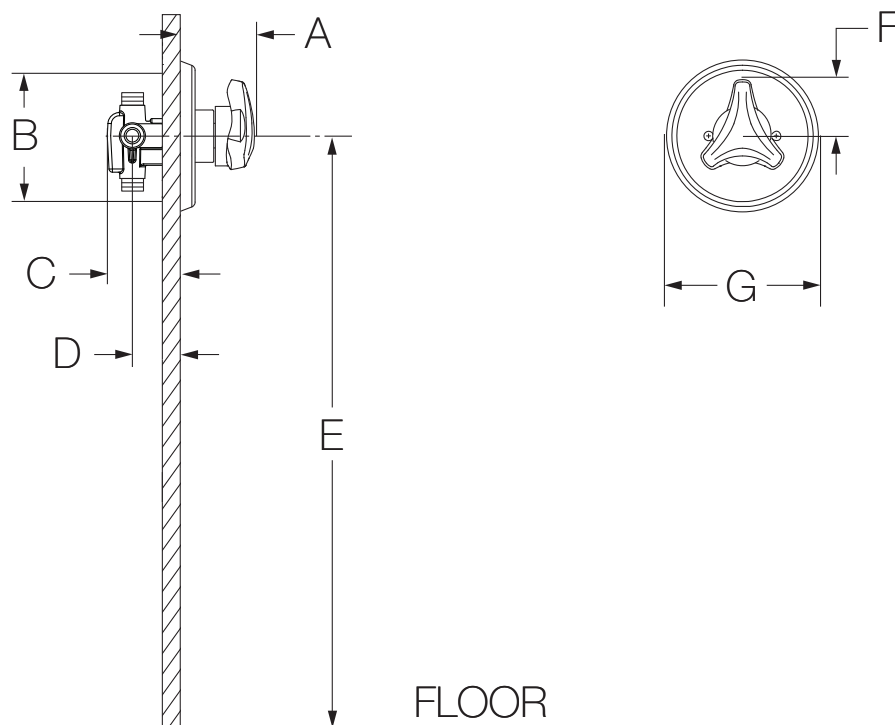
**Limited Lifetime** - to the original end purchaser in consumer/residential installations.  
**5 Years** - for industrial/commercial installations.  
 Refer to [www.symmons.com/warranty](http://www.symmons.com/warranty) for complete warranty information.  
 Go to [www.symmons.com/register](http://www.symmons.com/register) to register your Symmons product.

**Options/Modifications**

- B** *Brass escutcheon (chrome only)*
- D** *Brass dome cover (chrome only)*
- LAM**  *Metal finish insert handle*
- LP**  *Loop handle*
- REB** *Rebuild trim kit, includes TA-10 and TA-4*
- VP** *Vandal resistant escutcheon screws in place of standard screws*

**Note:** Append appropriate -suffix to model number.

## Dimensions



Measurements	
A	2-7/8", 73 mm
B	Shower Valve Hole Size Min. Ø 3", 76 mm Max. Ø 4", 102 mm
C	3-1/2", 89 mm
D	Rough-in 2-3/8" ± 1/2", 60 mm ± 13 mm
E	Ref. 42", 1067 mm
F	2-1/8", 54 mm
G	Ø 5-3/4", 146 mm

### Notes:

- 1) Valve body and piping not included and shown as reference only.
- 2) Plaster shield (p/n T-176) for dry wall, plaster or other type walls 1/2" or greater.
- 3) All dimensions measured from nominal rough-in (see D as reference).
- 4) Dimensions subject to change without notice.