

Location:



# SYMMONS® Elm®

## Hand Shower System 5503 Specification Submittal



### Feature Highlights

- Symmons Hand Shower System with lever handle
- Symmons Temptrol® pressure-balancing mixing valve with adjustable stop screw to limit handle turn
- Screwless escutcheon
- Wall/hand shower #552HS, three mode, with 5 foot flexible metal hose, in-line vacuum breaker, wall connection and cradle for hand shower mounting
- Standard flow rate is 2.5 gpm (9.5 L/min)  
*Optional lower flow rate restrictor available*
- Polished chrome finish (standard)

### Model Numbers

- 5503  
Hand Shower System with Symmons Temptrol® mixing valve
- 5503-TRM  
Trim only, mixing valve ordered separately
- 46-2-BODY  
Symmons Temptrol® mixing valve without trim
- 46-2X-BODY  
Symmons Temptrol® mixing valve without trim. Valve includes integral service stops to allow water shut-off for service

### Finish Options / Modifications

*Append appropriate -suffix to model number*

- STN Satin Nickel
- SBZ Seasoned Bronze
- Polished Chrome (standard finish)

### Standards / Certifications

ASME A112.18.1/CSA B125.1






### Warranty

- Limited Lifetime - to the original end purchaser in consumer installations
- 5 years - for commercial installations

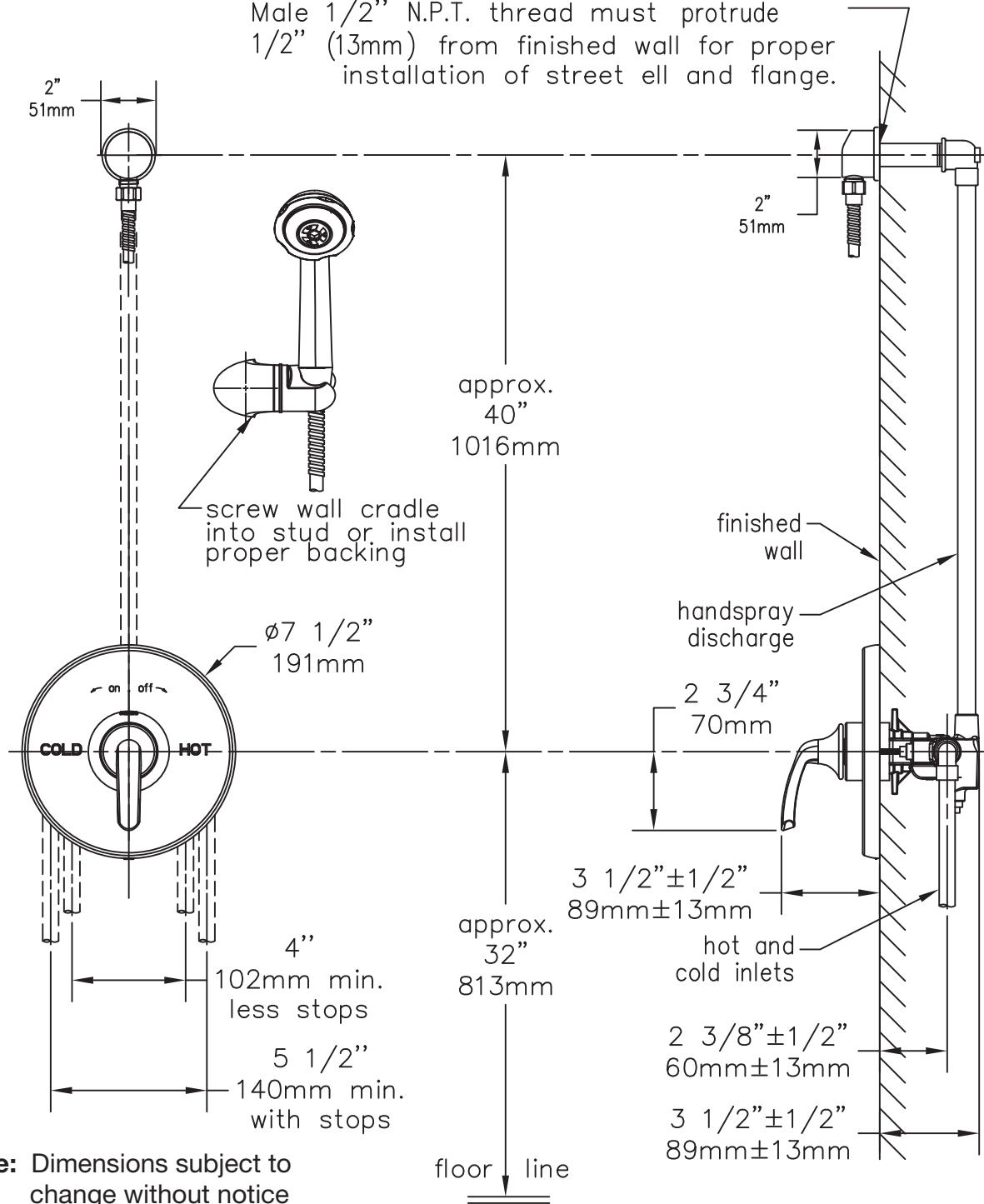
### Options / Modifications

*Append appropriate -suffix to model number*

-  -1.5 1.5 gpm (5.7 L/min) flow restrictor
- 2.0 2.0 gpm (7.6 L/min) flow restrictor
- 72 72" hose in place of 60" hose
- 552HSB 30" slide bar in place of standard wall cradle
- ADACHS ADA hand shower wand (chrome)
- ADAHS ADA hand shower wand (white)
- EX Exposed column/slide bar, hand shower bracket and hand shower wand (35EX)
- H321-V 1 mode hand shower unit with 30" slide bar
- H323-V 3 mode hand shower unit with 30" slide bar
- H323-V-48 3 mode hand shower unit with 48" slide bar
- H3524 24" decorative slide bar/grab bar with ADA hand shower
- H3536 36" decorative slide bar/grab bar with ADA hand shower
- IPS 1/2" female IPS connections
-  -LP Loop handle
-  -LR Lever handle
- L/HS Less hand shower
- QD Quick-disconnect on hand spray units
- R 60" white vinyl hose in place of 60" metal hose
- REB Rebuild trim kit, includes TA-10 and TA-4
- REV Reverse coring, hot on right, cold on left, for back to back installations
- T724 24" slide bar/grab bar with ADA hand shower
- T736 36" slide bar/grab bar with ADA hand shower
- T748 48" slide bar/grab bar with ADA hand shower
- VB Elevated vacuum breaker
- VP Vandal resistant escutcheon screws in place of standard screws
- X Integral service stops - allows water shutoff at valve for service
- X-CHKS Integral check stops - for use in installations where a positive shut-off device is used downstream of mixing valve

# Dimensions Elm Hand Shower System, 5503

Male 1/2" N.P.T. thread must protrude 1/2" (13mm) from finished wall for proper installation of street ell and flange.



**Note:** Dimensions subject to change without notice