

Location:

SYMMONS® Oxford™

Tub & Shower System with Hand Shower 4206

Specification Submittal

Feature Highlights

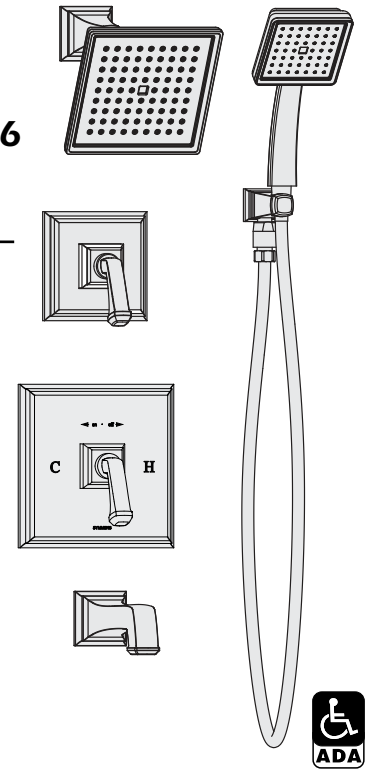
- Symmons tub and shower system with lever handles.
- Symmons Temptrol® pressure balancing mixing valve with adjustable stop screw to limit handle turn.
- Separate triple outlet lever diverter valve
- Wall/hand shower with 5 foot flexible metal hose, in-line vacuum breaker, wall connection and cradle for hand shower mounting
- Shower head with mounting bracket
- Standard flow rate is 2.5 gpm (9.5 L/min) for both shower head and hand shower
- Tub spout
- Polished chrome finish

Model Numbers

- 4206.....Tub & Shower System with Symmons Temptrol® pressure balancing mixing valve p/n 4000-BODY and triple outlet diverter p/n 3DIV-BODY
- 4206-TRM.....Trim only, valve and diverter must be ordered separately
- 4000-BODY.....Symmons Temptrol® pressure balancing mixing valve without trim
- 4000-X-BODY.... Symmons Temptrol® pressure balancing mixing valve without trim. Valve includes integral service stops to allow water shut-off for service.
- 3DIV-BODY.... Symmons triple outlet diverter valve without trim

Warranty

- Limited Lifetime - to the original end purchaser in consumer installations.
- 5 years - for commercial installations



Options / Modifications

Append appropriate -suffix to model number.

- IPS 1/2 inch female IPS connections on Symmons Temptrol® mixing valve
- X Symmons Temptrol® pressure balancing mixing valve includes integral service stops to allow water shut-off for service, p/n 4000-X-BODY. (Option only applies when ordering model 4206)
- 2.0 2.0 (7.6 L/min) Flow rate restrictor
- 1.5 1.5 (5.7 L/min) Flow rate restrictor
- NS Discrete function diverter

Finish Options / Modifications

Append appropriate -suffix to model number.

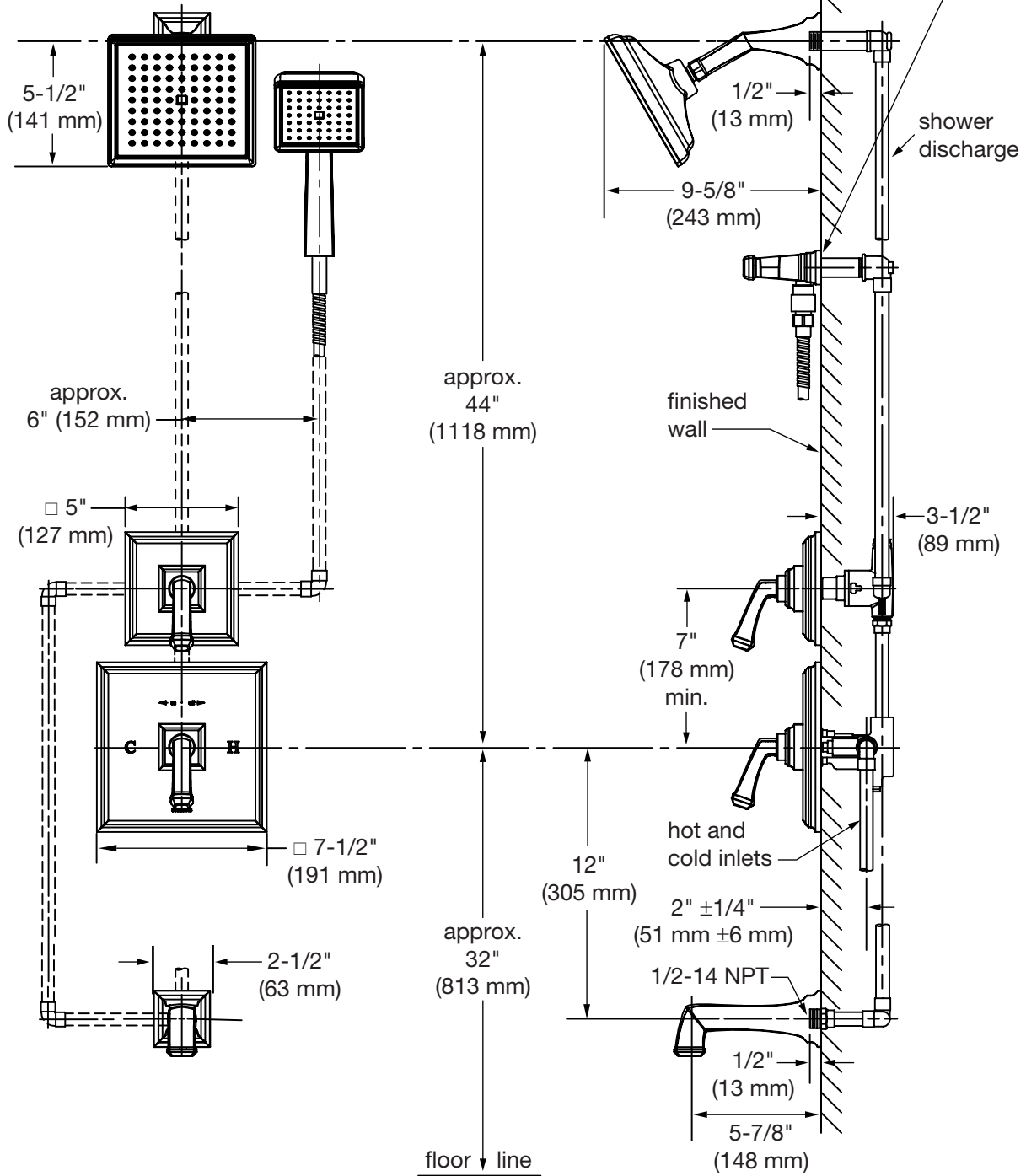
- STN Satin nickel
- ORB Oil Rubbed Bronze
- Polished chrome (standard finish)

Standards / Certifications

ASME A112.18.1/CSA B125.1

Dimensions Oxford Tub & Shower System with Hand Shower, 4206

Male 1/2" IPS thread must protrude 1/4" (6 mm) from finished wall for proper installation of wall ell and cradle.



Note: Dimensions subject to change without notice.

Symmons Industries, Inc. ■ 31 Brooks Drive ■ Braintree, MA 02184
 Phone: (800) 796-6667 ■ Fax: (800) 961-9621
 www.symmons.com ■ gethelp@symmons.com

Copyright © 2015 Symmons Industries, Inc. ■ ZV-616 REV A ■ 080115

SYMMONS[®]
 the smart choice™