

Location:



SYMMONS® Sereno™

Hand Shower 432HS, 432HSB Specification Submittal

Feature Highlights

- Single mode hand shower with wand #432W
- Standard flow rate 2.5 gpm (9.5 L/min)
- 5 foot flexible metal hose with inline vacuum breaker
- Wall connection and flange
- Metal construction with polished chrome finish

Model Numbers

- 432HS Hand Shower with cradle for mounting hand shower
- 432HSB Hand Shower with 30 inch slide bar and cradle for mounting hand shower
- 412HS-LHS Hose, cradle, wall connection and flange for hand shower model 432HS (hand shower wand is not included)
- 432HSB-LHS Hose, cradle, wall connection and flange for hand shower model 432HS (hand shower wand is not included)

Finish Options / Modifications

Append appropriate -suffix to model number.

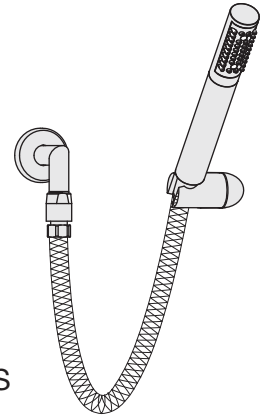
- STN Satin nickel
- Polished chrome (standard finish)

Options / Modifications

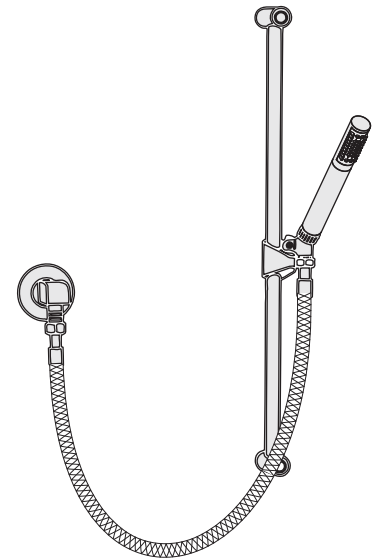
Append appropriate -suffix to model number.

- 2.0 2.0 (7.6 L/min) Flow rate restrictor
- 1.5 1.5 (5.7 L/min) Flow rate restrictor
- 402W 2 Mode hand shower wand (2.5 gpm (9.5 L/min flow rate only))

Model, 432HS



Model, 432HSB



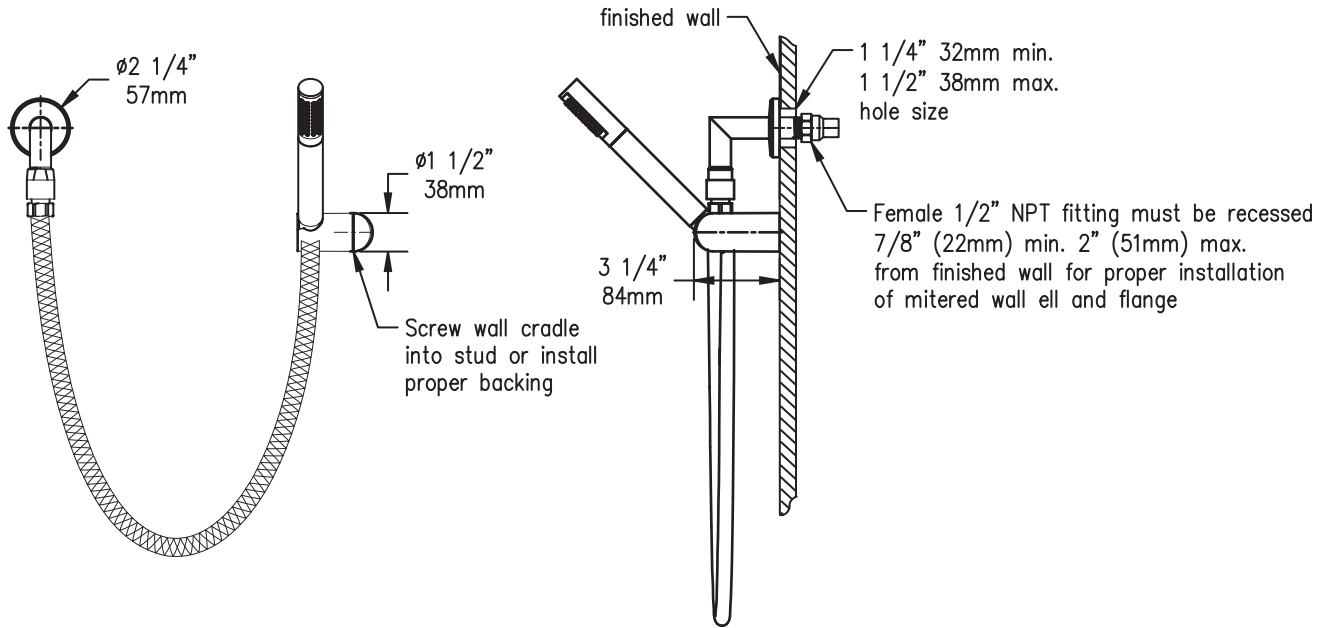
Standards / Certifications

ASME A112.18.1-2005/CSA B125.1-05

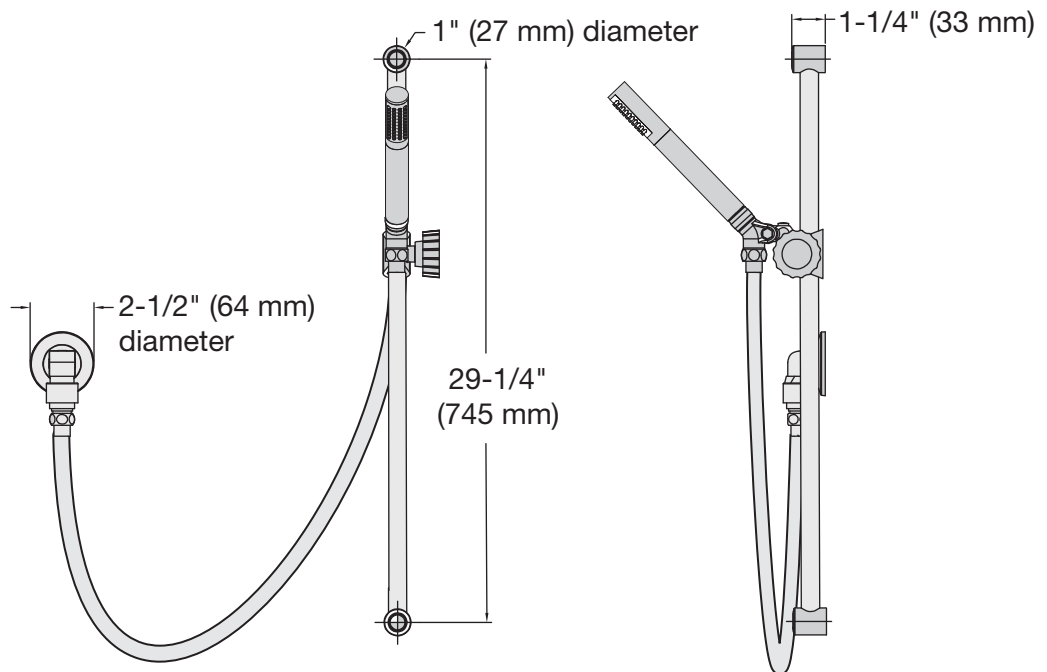
Warranty

- Limited Lifetime - to the original end purchaser in consumer installations.
- 5 years - for commercial installations

Dimensions *Sereno Hand Shower, 432HS*



Dimensions *Hand Shower with Slide Bar Accessory, 432HSB*



Note: Dimensions subject to change without notice.