


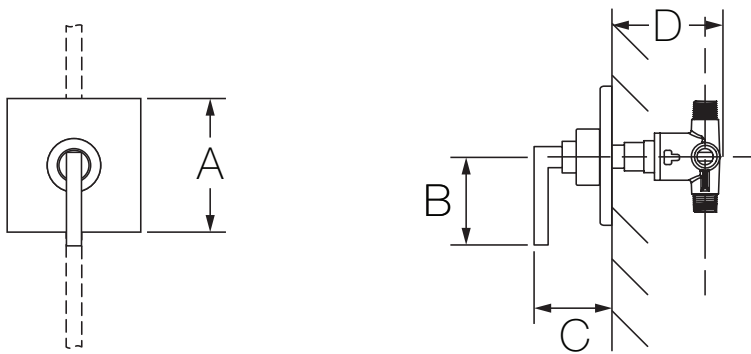




36-2DIV Dual Outlet Diverter Valve Specification Submittal

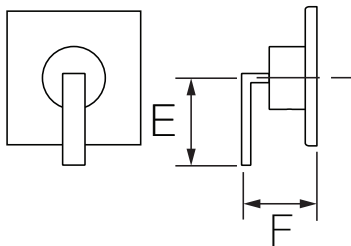
Model Number <input type="checkbox"/> 36-2DIV <i>Dual Outlet Diverter Valve</i>	Feature Highlights <ul style="list-style-type: none"> Screwless Escutcheon Components shall be metal construction, plated in standard polished chrome finish
Modifications <input type="checkbox"/> -D2  <i>Wide, square lever diverter handle (Chrome and Satin Nickel finish only)</i> <input type="checkbox"/> -D3  <i>Stacked, square lever diverter handle (Chrome and Satin Nickel finish only)</i> <input type="checkbox"/> -BBZ <i>Brushed Bronze finish</i> <input type="checkbox"/> -MB <i>Matte Black finish</i> <input type="checkbox"/> -STN <i>Satin Nickel finish</i> Note: Append appropriate -suffix to model number.	Compliance -ASME A112.18.1/CSA B125.1  Warranty Limited Lifetime - to the original end purchaser in consumer installations. 5 Years - for commercial installations. Refer to www.symmons.com/warranty for complete warranty information.

Dimensions

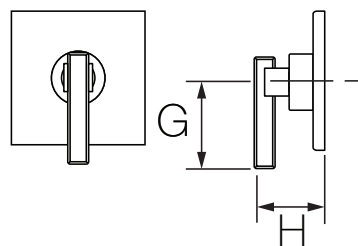


Measurements	
A	Sq. 5", 127 mm
B	3-1/8", 79 mm
C	3-1/2", 89 mm
D	3-1/2", 89 mm
E	3-1/8", 79 mm
F	3-5/8", 92 mm
G	3-1/8", 79 mm
H	3-5/8", 92 mm

D2



D3



Note: Dimensions subject to change without notice.