

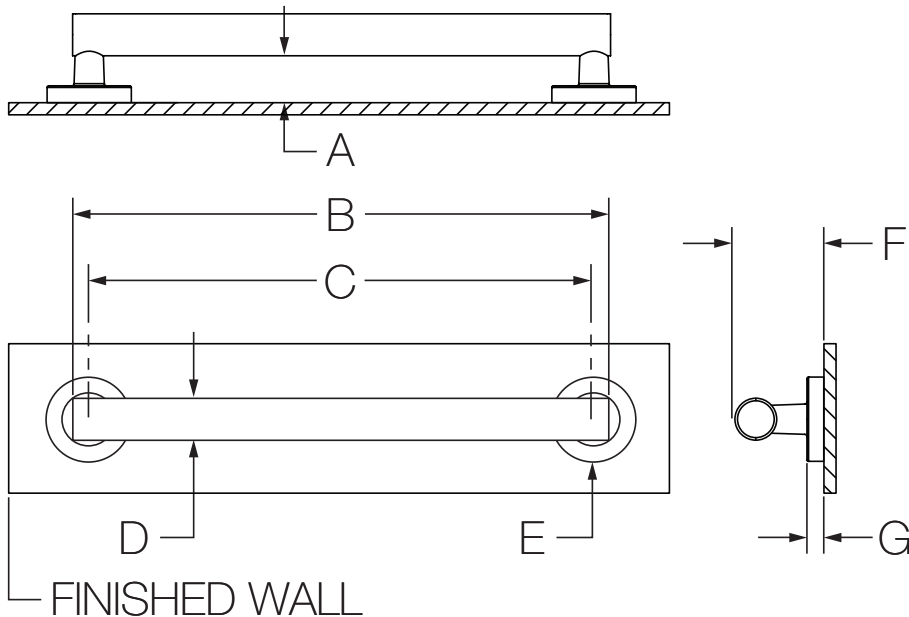
353GB-12 (18, 24, 36, 42)

ADA Grab Bar Series

Operation & Maintenance Manual

Model Numbers	Specification
<ul style="list-style-type: none"> <input type="checkbox"/> 353GB-12 12" Grab Bar for ADA Applications <input type="checkbox"/> 353GB-18 18" Grab Bar for ADA Applications <input type="checkbox"/> 353GB-24 24" Grab Bar for ADA Applications <input type="checkbox"/> 353GB-36 36" Grab Bar for ADA Applications <input type="checkbox"/> 353GB-42 42" Grab Bar for ADA Applications 	<ul style="list-style-type: none"> • Supports up to 250 lbs. • 1-1/2" bar diameter • 3" flange diameter • Bar extends 1-1/2" from wall • Concealed mounting for a clean look • Meets WW-P-541/8B Federal Specification for Manufacturing • Meets ADA load requirements when properly installed • Stainless steel construction • Grab bar compatible with Winglts stainless steel grab bar fasteners (p/n GBW40) for drywall applications
Finish Options	Warranty
<ul style="list-style-type: none"> <input type="checkbox"/> -STN Satin Nickel finish <p>Note: Append appropriate -suffix to model number.</p>	<p>Limited Lifetime - to the original end purchaser in consumer/residential installations. 5 Years - for industrial/commercial installations. Refer to www.symmons.com/warranty for complete warranty information.</p>

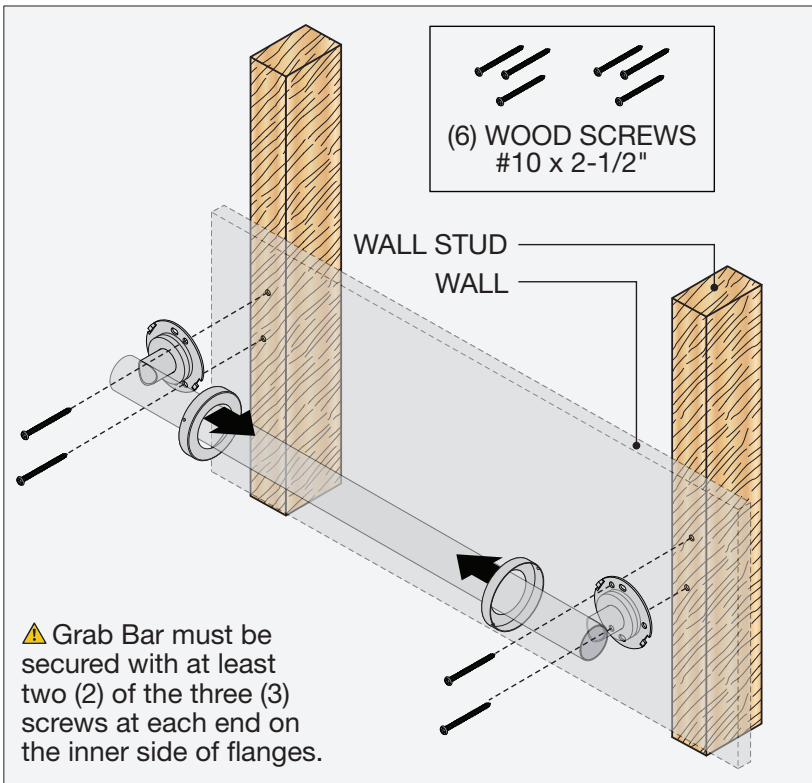
Dimensions




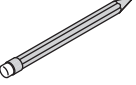
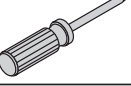

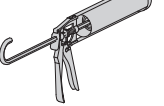

Measurements	
A	1-1/2", 38 mm
B	13-1/4", 337 mm (353GB-12)
	19-1/4", 489 mm (353GB-18)
	25-1/4", 641 mm (3h53GB-24)
C	37-1/4", 946 mm (353GB-36)
	43-1/4", 1099 mm (353GB-42)
	12", 305 mm (353GB-12)
C	18", 457 mm (353GB-18)
C	24", 610 mm (353GB-24)
C	36", 914 mm (353GB-36)
C	42", 1067 mm (353GB-42)
D	Ø 1-1/2", 38 mm
E	(2x) Ø 3-1/16", 78 mm
F	3-1/16", 78 mm
G	1/2", 13 mm

Note: Dimensions subject to change without notice.

Parts Breakdown



Tools Required for Installation

Drill: • 7/64" Drill Bit for Wall • 1/4" Carbide Tip Drill Bit for Ceramic Tile	
Pencil	
Phillips Head Screwdriver	
Safety Glasses	
Silicone	
Stud Finder	

⚠ IMPORTANT NOTES FOR PROPER INSTALLATION

DO NOT install this product without first reading and understanding the instructions. If you are unable to understand these warnings and instructions, contact professional or technical personnel for assistance - otherwise injury may occur.

Grab Bar Location

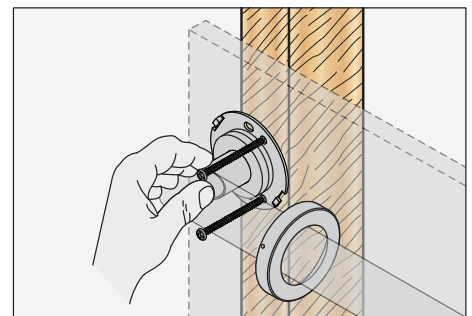
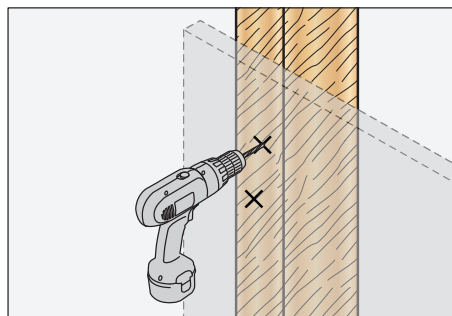
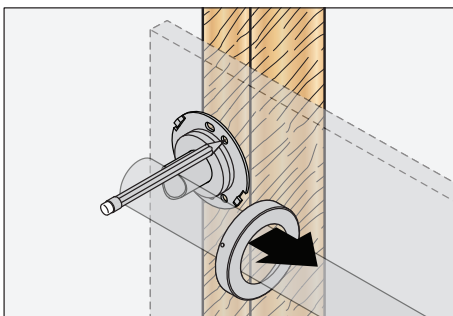
- For proper mounting heights and location consult with your state and local code official having jurisdiction over the installation.

Solid Support

- Grab Bar ends must be mounted with both end positions over a wall stud. A stud finder can be used to locate wall studs. Contractor is responsible for installing Grab Bar to wall studs as instructed.
- Secure through wall board or tile to the wall stud so as to hold a minimum of 250 pounds of force.
- At least two (2) of the three (3) wood screws provided must be used on each end of the Grab Bar, top and bottom, to properly secure. Standard size wall stud limits using more than two (2) wood screws.
- If using a drill to install wood screws, a drill bit extension must be used to avoid damaging the Grab Bar.

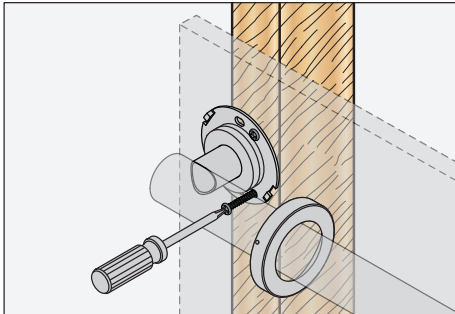
Installation (Wall & Wall Studs)

- Place Grab Bar at desired position. Slide covers over bar to reveal flanges. Mark drill hole locations with pencil at each end on inner side of flanges.
- Remove Grab Bar from wall. Use drill with 7/64" drill bit to drill holes into wall and wall studs at the marked positions.
- Align mounting holes on Grab Bar with drill holes. Insert wood screws into pilot holes for wall and wall studs. Hand tighten wood screws.

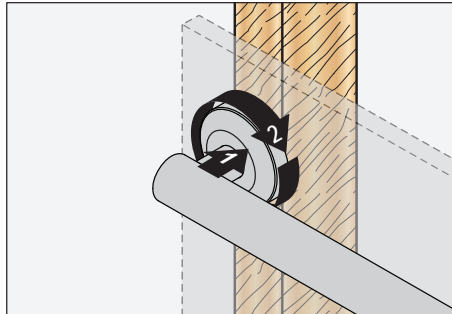


Installation (Wall & Wall Studs) Cont.

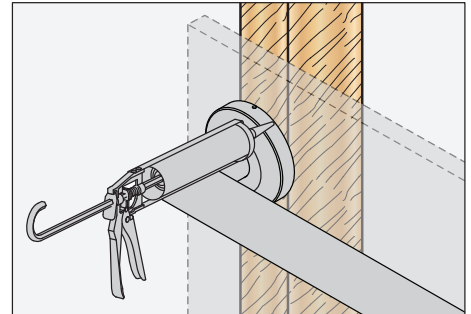
4) Tighten all wood screws using a phillips head screwdriver, securing Grab Bar to wall.



5) Place mounting covers over bar flanges so they sit flush with wall. Turn mounting covers to secure.

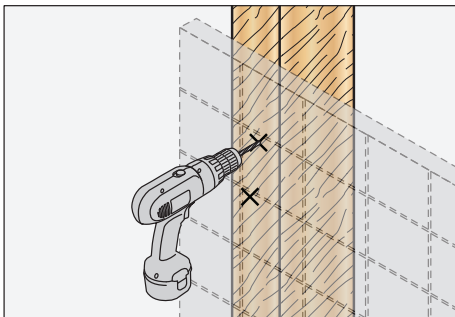


6) Apply a bead of silicone around the perimeter of the mounting covers to prevent water from bleeding through the mounting holes and potentially damaging the wall and wall studs.

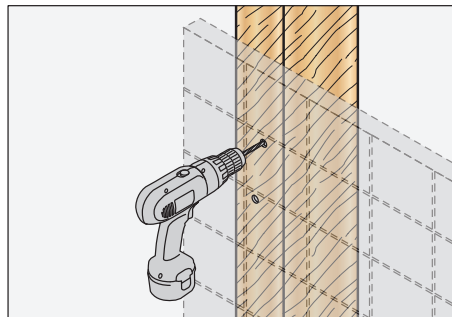


Installation (Ceramic Tile)

1) Use drill with 1/4" carbide tip drill bit to drill holes into ceramic tile at the marked positions to prevent damage to the tiles.



2) Use drill with 7/64" drill bit to drill pilot holes into wall studs through ceramic tile.



3) Follow steps 3, 4, 5 and 6 for wall and wall studs to complete installation of Grab Bar onto ceramic tile.

Troubleshooting Chart

Problem	Cause	Solution
Finish is spotting.	Elements in water supply may cause water staining on finish.	Clean finished trim area with a soft cloth using mild soap and water or a non-abrasive cleaner and then quickly rinse with water.

⚠ WARNING: This product can expose you to chemicals including lead, which is known to the state of California to cause cancer, birth defects, or other reproductive harm. For more information, go to www.P65Warnings.ca.gov.