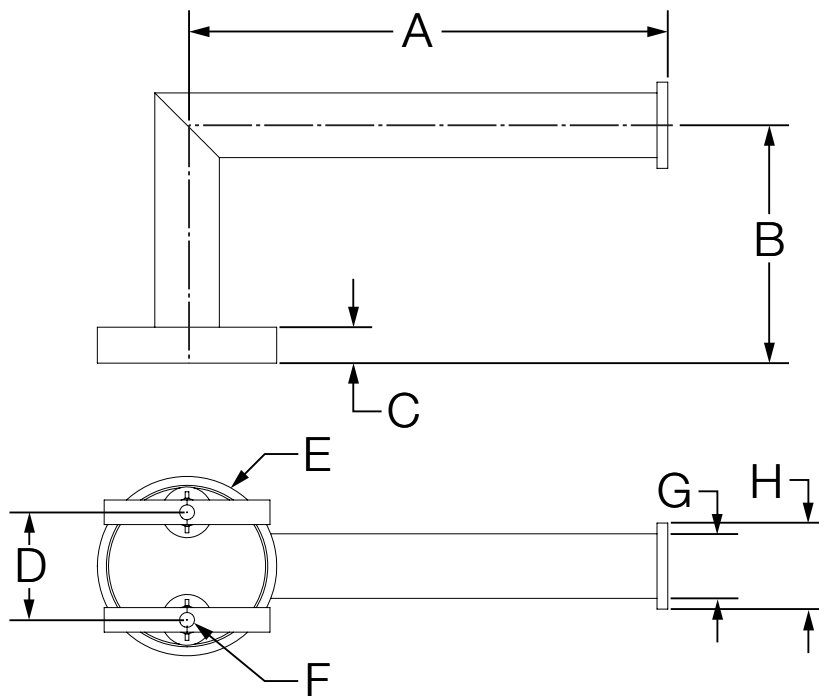


229-TP-MB
Toilet Paper Holder
Installation Guide

| Model Number | Specification |
|--|---|
| <input type="checkbox"/> 229-TP-MB <i>Toilet Paper Holder</i> | Toilet paper holder made from metal materials plated in premium matte black finish. |
| Warranty | |
| Limited Lifetime - to the original end purchaser in consumer installations. 5 Years - for commercial installations. Refer to www.symmons.com/warranty for complete warranty information. | |

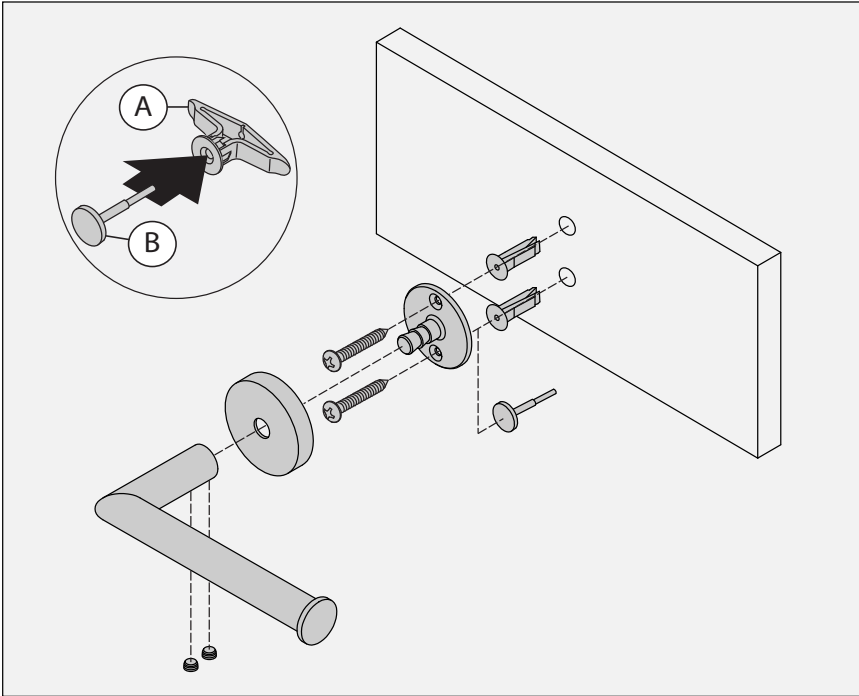
Dimensions




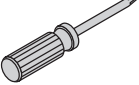
| Measurements | |
|--------------|---------------------------------|
| A | 5-1/4", 133 mm |
| B | 2-5/8", 67 mm |
| C | 3/8", 10 mm |
| D | 1-1/8", 29 mm |
| E | Ø 2", 51 mm |
| F | (2x) Hole Size Ø 5/16", 8 mm |
| G | Ø 11/16", 17 mm |
| H | Ø 15/16", 24 mm |

Note: Dimensions subject to change without notice.

Parts Breakdown



Note: For dry wall 1/2" thick or less, insert anchor tool (B) into drywall anchor (A) to secure behind wall prior to installing trim.

| Tools Required for Installation | |
|---------------------------------|---|
| Allen Wrench 3/32" |  |
| Drill |  |
| Phillips Head Screwdriver |  |