



Winslet™

Roman Tub Faucet SRT-5172 Installation Brief



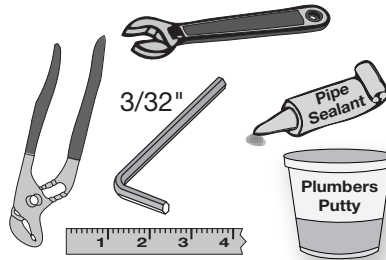
Model Number

SRT-5172 Roman Tub Faucet with handspray

Alternate Finish Options


- STN Satin Nickel
- ORB Oil Rubbed Bronze
- Chrome (standard)

Tools & Materials

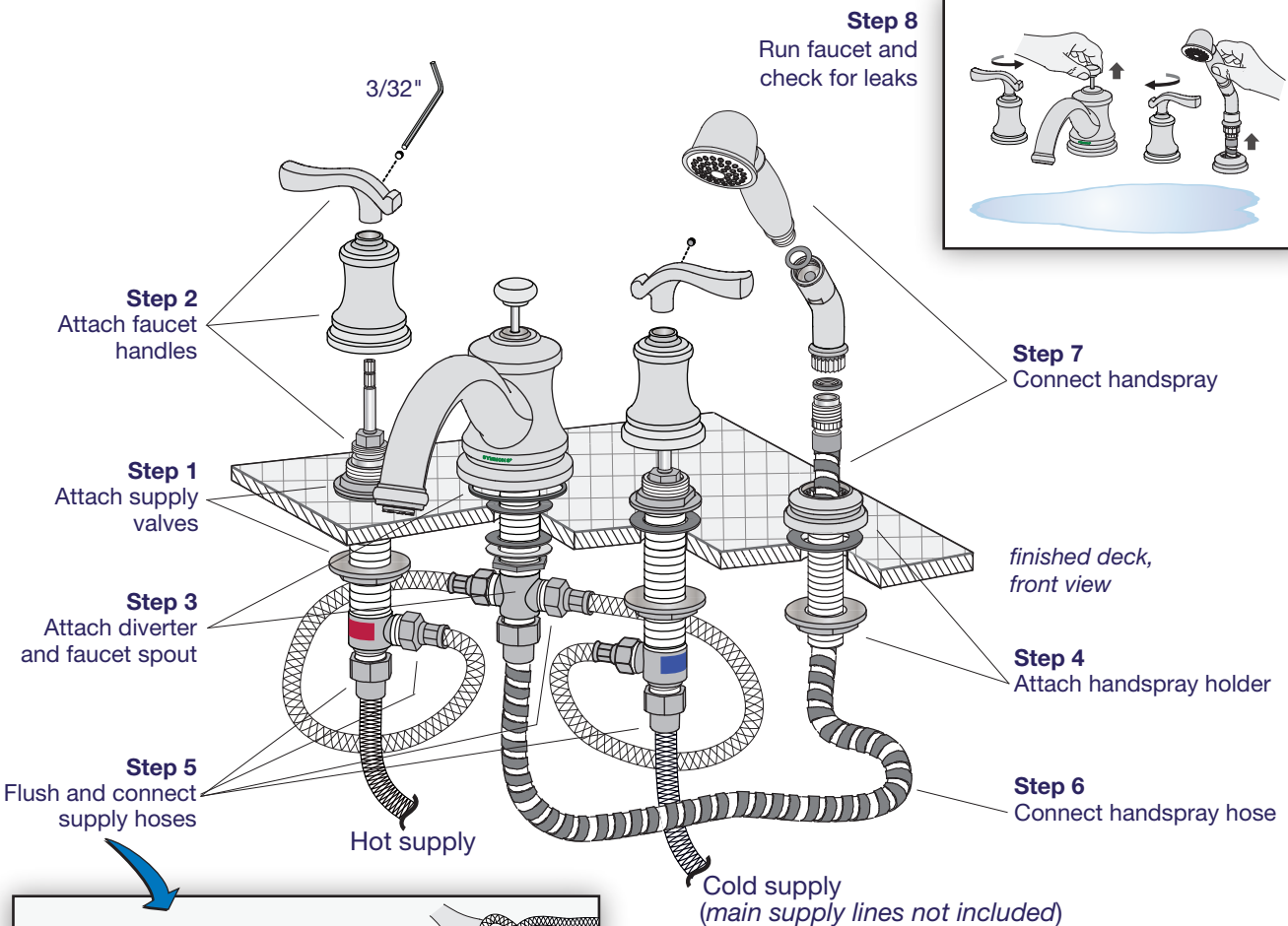


Need Help?

Symmons customer service:
(800) 796-6667, (781) 848-2250
Email: customerservice@symmons.com
Monday - Friday 8:00 am - 7:00 pm EST

 www.symmons.com/service

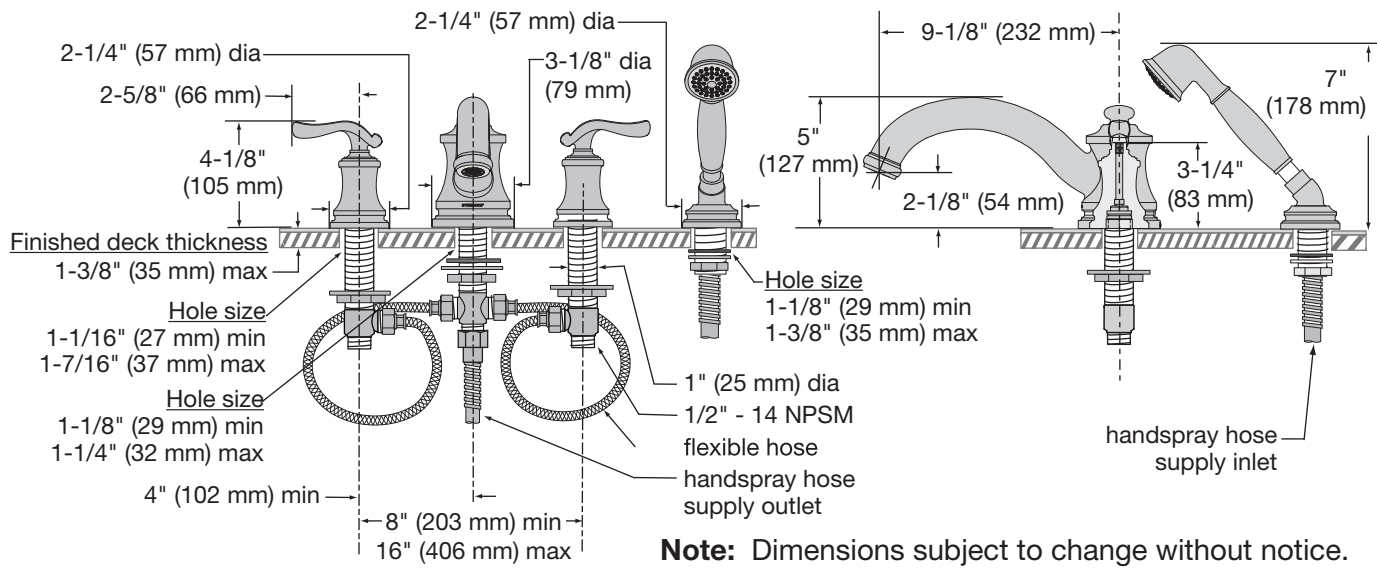
Quick Install Guide *Winslet Roman Tub Faucet, SRT-5172*



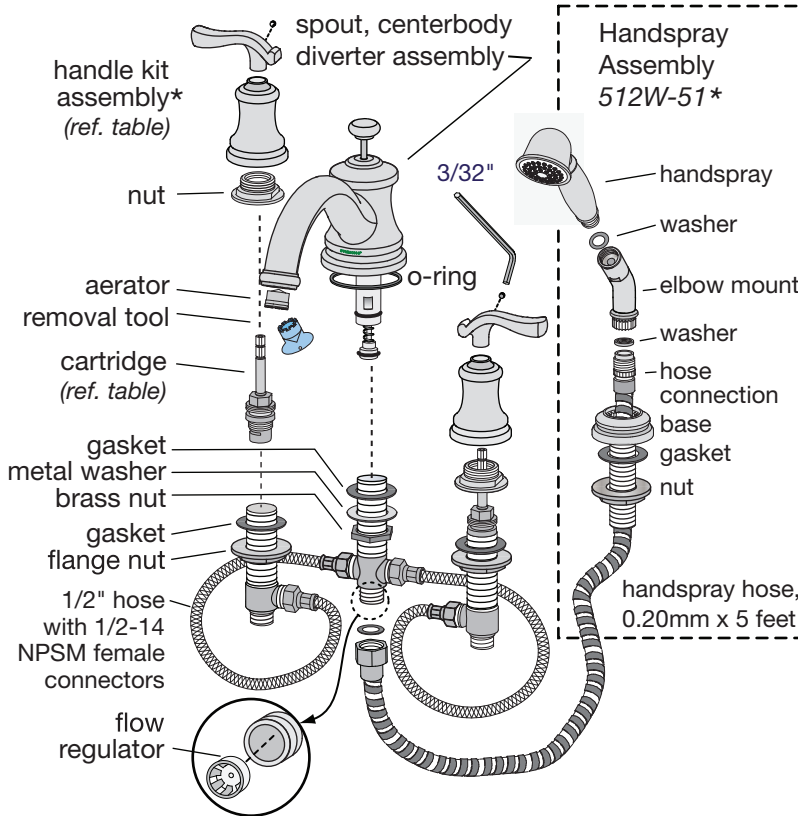
Important: Flush supply lines clean before connecting to control valves.



Dimensions Winslet Roman Tub Faucet, SRT-5172



Parts Assembly Winslet Roman Tub Faucet, SRT-5172



Replacement Parts	
Part Number	Item
RT-512L-KIT* (Hot & Cold Handle Kit)	HOT & COLD handles & screws escutcheons (2) nut, 1"-20 (2) gasket (2)
RT-308	aerator removal key
KN-114E (hot) OFF = CW KN-113E (cold) OFF = CCW	KN-113E identified by groove valve cartridge

Ordering replacement parts:

Call Symmons customer service at (800) 796-6667, (781) 848-2250 M-F 8:00 am - 7:00 pm EST or check our website at www.symmons.com for a list of Symmons distributors.

* NOTE: Faucets with an optional decorative finish, append appropriate three letter suffix code to part numbers marked with an asterisk (*).