



# SYMMONS® Allura™

## Roman Tub Faucet SRT-4770

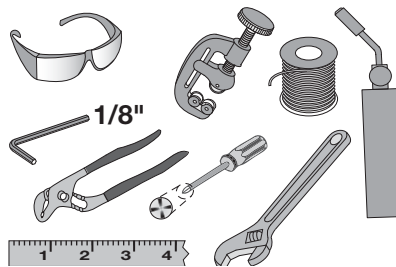
### Installation and Service Instructions



#### Model Numbers

SRT-4770..... Chrome finish  
 SRT-4770-STN ..... Satin Nickel finish

#### Tools & Materials

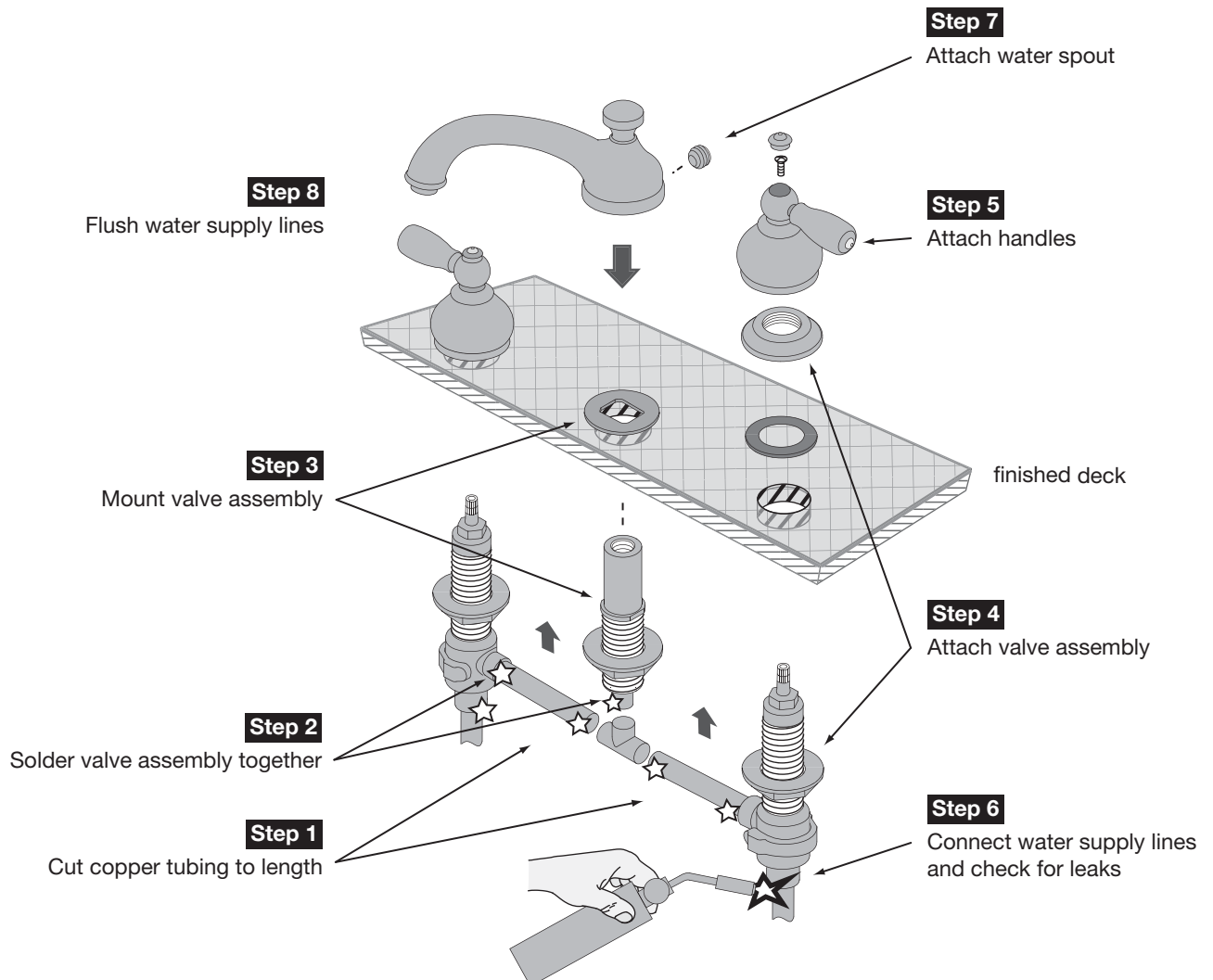


#### ☎ Need Help?

Contact Symmons customer service at  
 (800) 796-6667, (781) 848-2250  
 Email: [customerservice@symmons.com](mailto:customerservice@symmons.com)  
 Monday - Friday 8:00 am - 7:30 pm EST

💻 Please check Symmons website for technical help, the latest product information and warranty policy.  
[www.symmons.com/service](http://www.symmons.com/service)

### Quick Install Guide *Allura Roman Tub Faucet, SRT-4770*

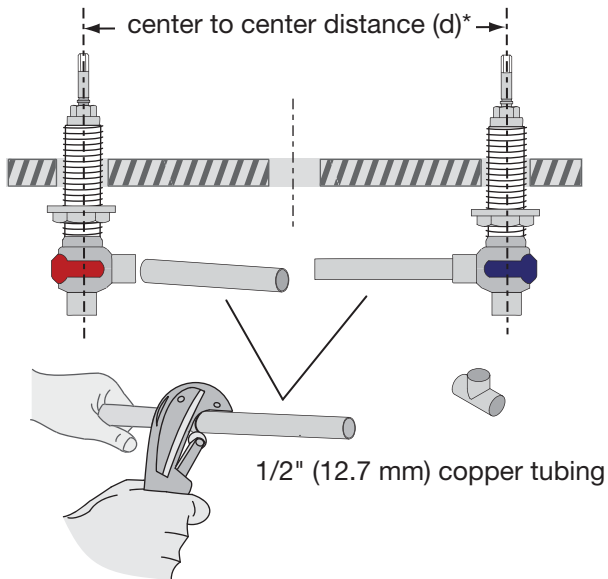


# Installation Instructions

**Caution:** If replacing an older faucet ensure water supply is turned OFF before removing and then turn faucet handles ON to relieve water pressure.

## Step 1 Cut copper tubing to length

Length = (d) minus 2-1/4 inches (57 mm) divided by 2.

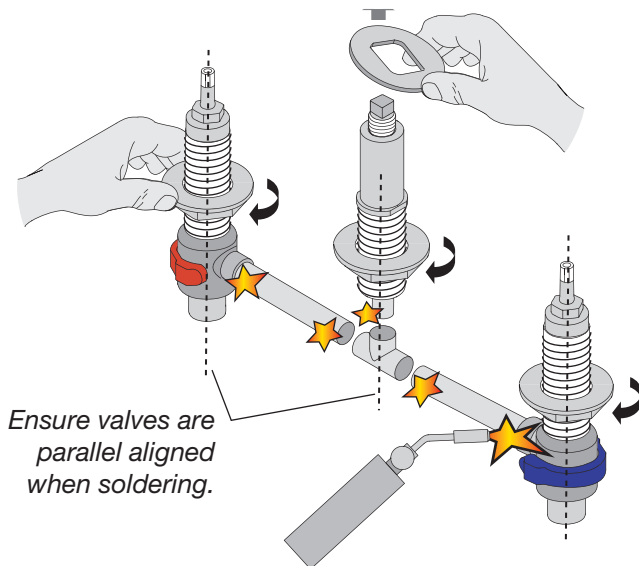


*Example:*

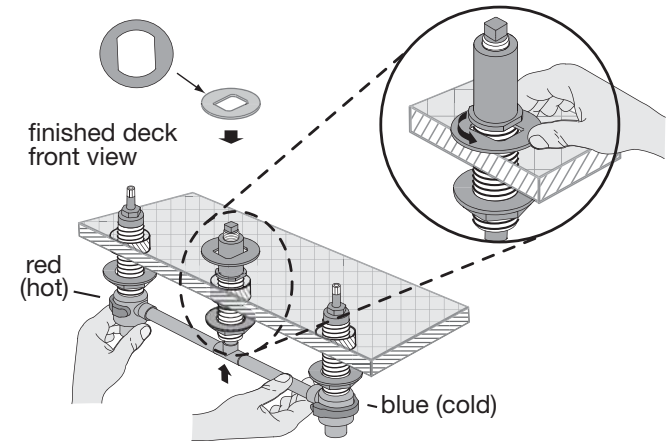
- If center to center distance (d) is 14 inches.
- 14 inches minus 2-1/4 inches = 11-3/4 inches.
- 11-3/4 inches divided by 2 = 5-7/8 inches.
- Cut 2 copper tubes into 5-7/8 inch lengths.

\* Maximum distance (d) with supplied copper tubing is 18-1/4 inches (463 mm)

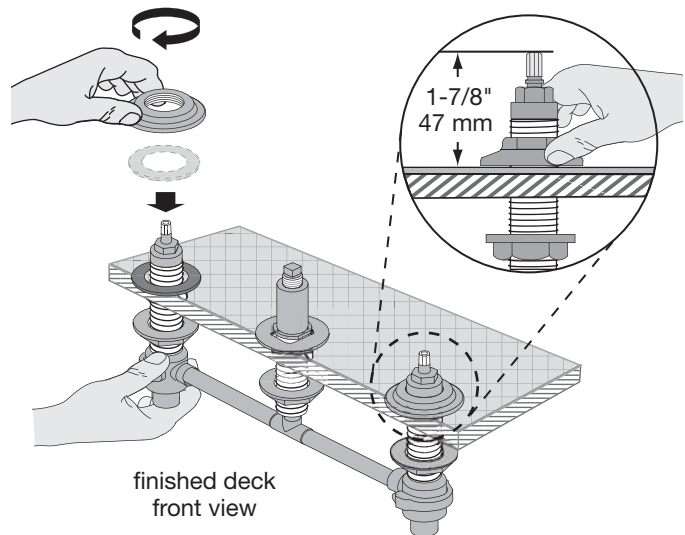
## Step 2 Solder valve assembly together



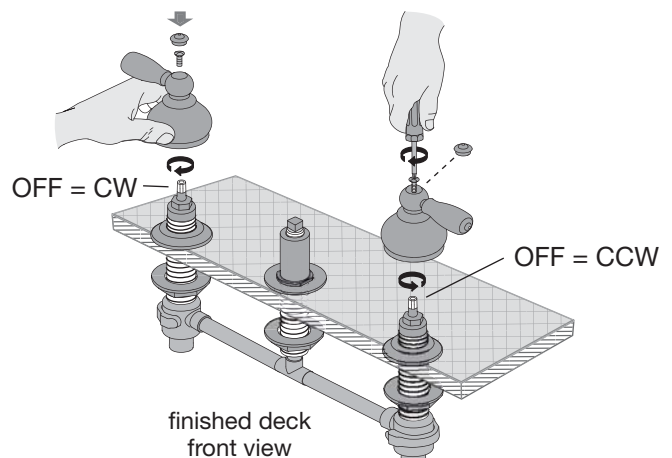
## Step 3 Mount valve assembly to deck



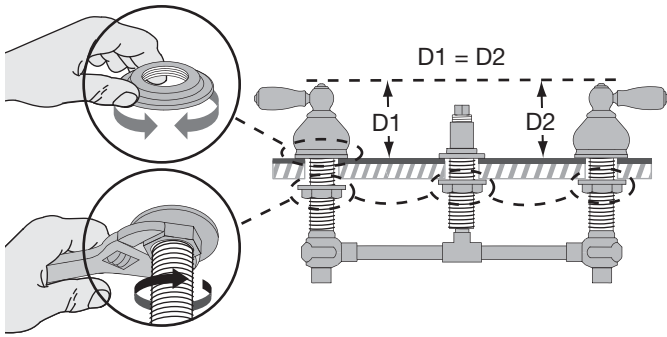
## Step 4 Attach valve assembly



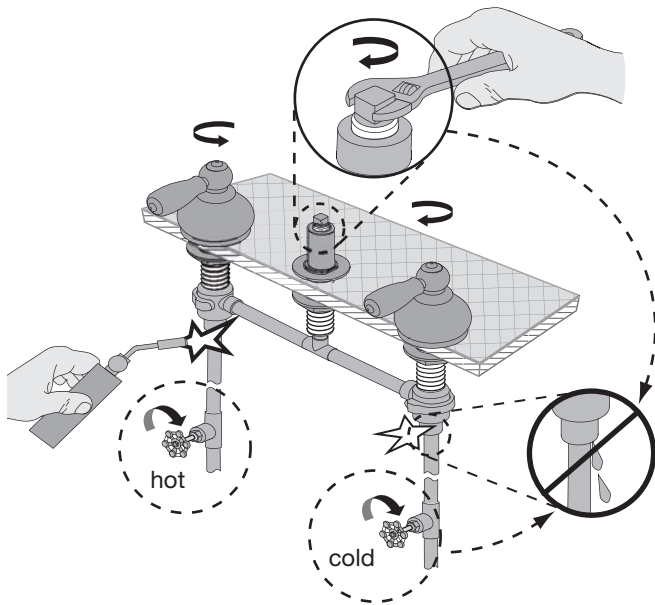
## Step 5 Attach faucet handles



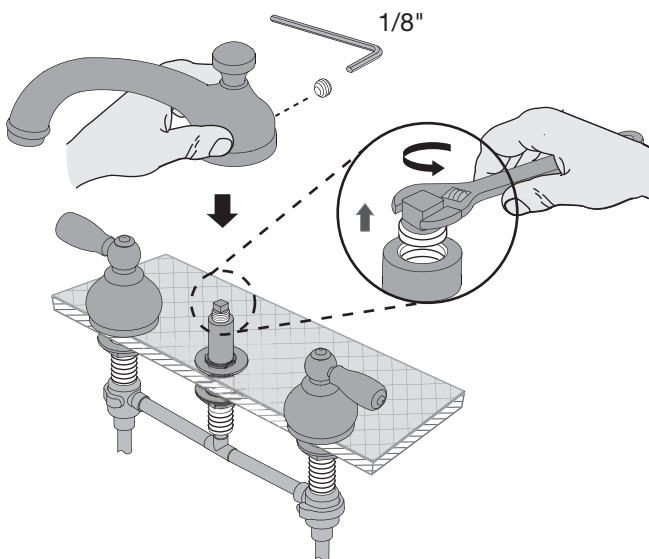
### Step 6 Fasten valve assembly to deck



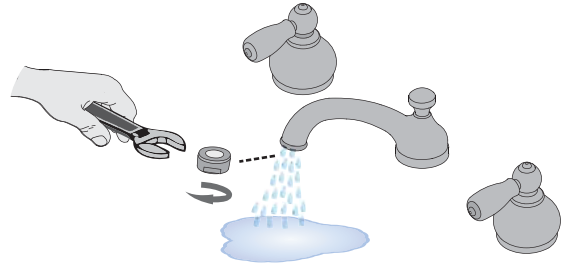
### Step 7 Solder supply lines to valve inlets



### Step 8 Attach faucet spout to deck



### Step 9 Flush water supply lines

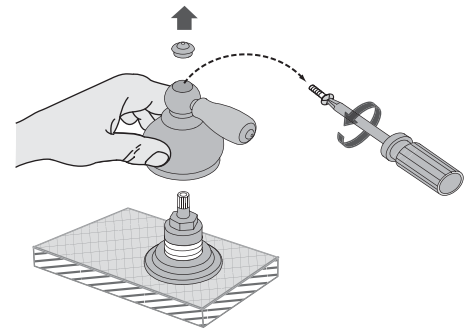


### Care of faucet finish

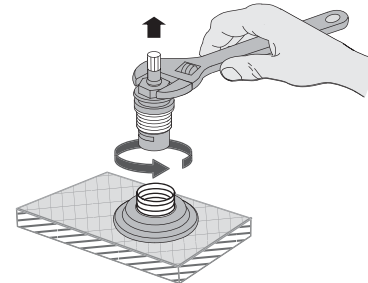
Clean finish area by using mild soap and water or non-abrasive cleaner and then rinse immediately. A non-abrasive wax may be used to preserve finish area.

## Valve cartridge replacement

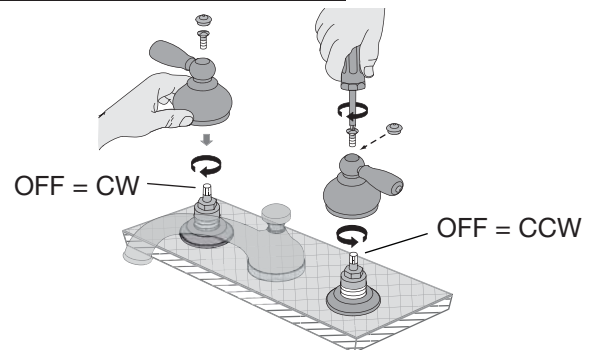
### Step 1 Remove faucet handle



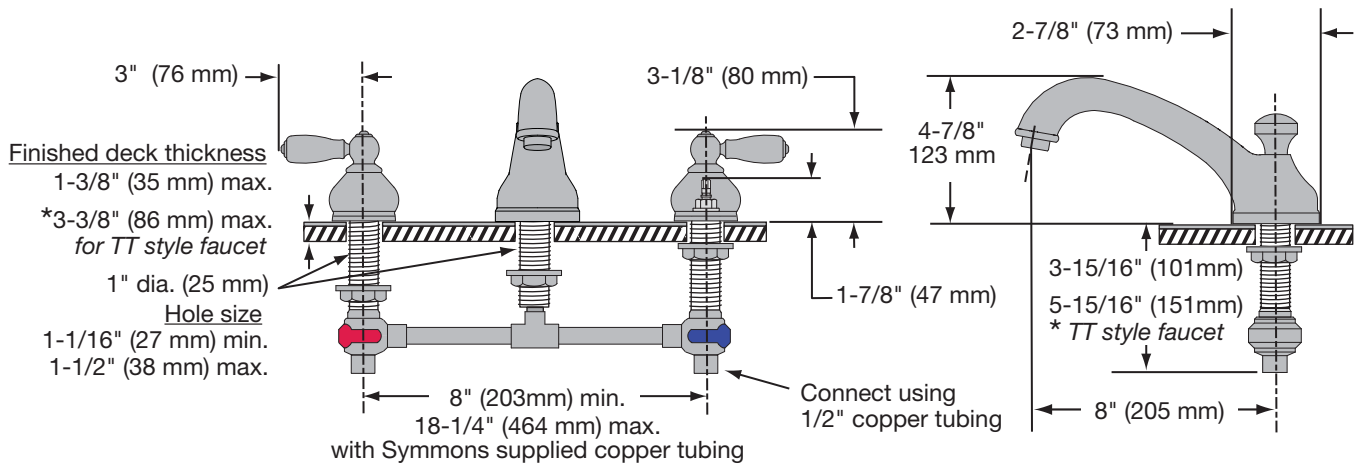
### Step 2 Remove and replace cartridge



### Step 3 Attach faucet handle

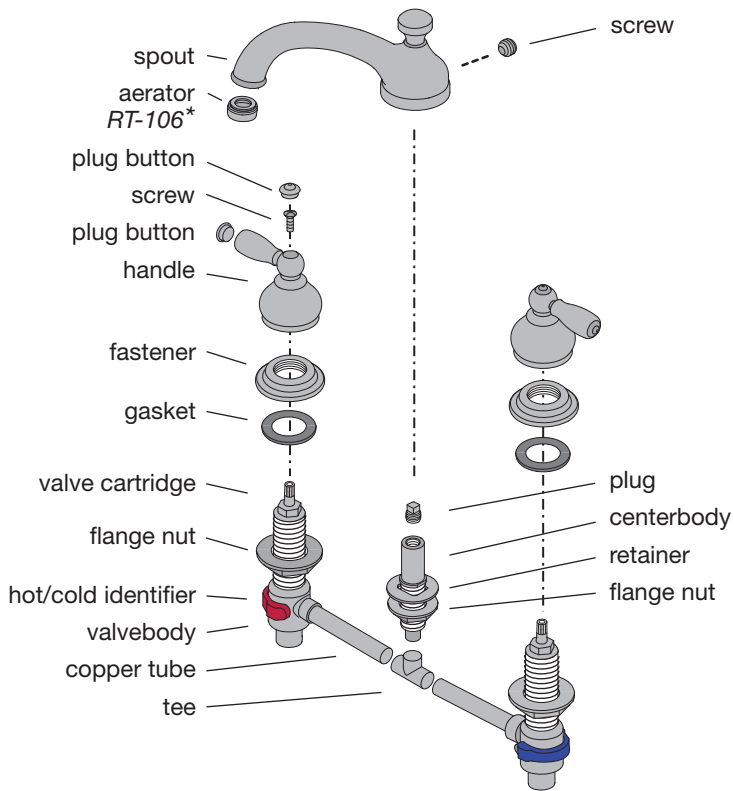


## Dimensions *Allura Roman Tub Faucet, SRT-4770*



\* Note: Use TT style faucet if deck thickness is 1-3/8" to 3-3/8" (35 mm - 86 mm)  
Contact Symmons customer service to special order TT style faucet, model number SRT-4770-1-TT-BDY

## Parts Assembly *Allura Roman Tub Faucet SRT-4770*



### Faucet Handle Style: LHM

Part Number	Item (Qty)
LN-222* 2 handles included	plug button (4) screw (2) handle (2) fastener (2) gasket (2)
KN-114 (hot) OFF = CW KN-113 (cold) OFF = CCW	KN-113 identified by groove valve cartridge

\* Note: For decorative finish faucets add suffix code letters to parts marked with an asterisk.

### Ordering replacement parts:

Call Symmons customer service at (800) 796-6667,  
(781) 848-2250 M-F 8:00 am - 7:30 pm EST or  
check our website at [www.symmons.com](http://www.symmons.com) for a  
list of Symmons distributors.