

SYMMONS® Canterbury™

Roman Tub Faucet SRT-4570

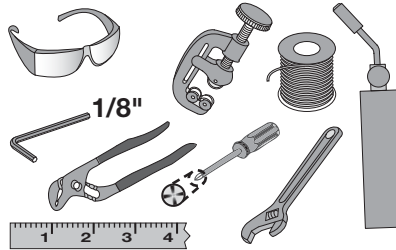
Installation and Service Instructions



Model Numbers

SRT-4570.....Chrome finish
 SRT-4570-STNSatin Nickel finish

Tools & Materials

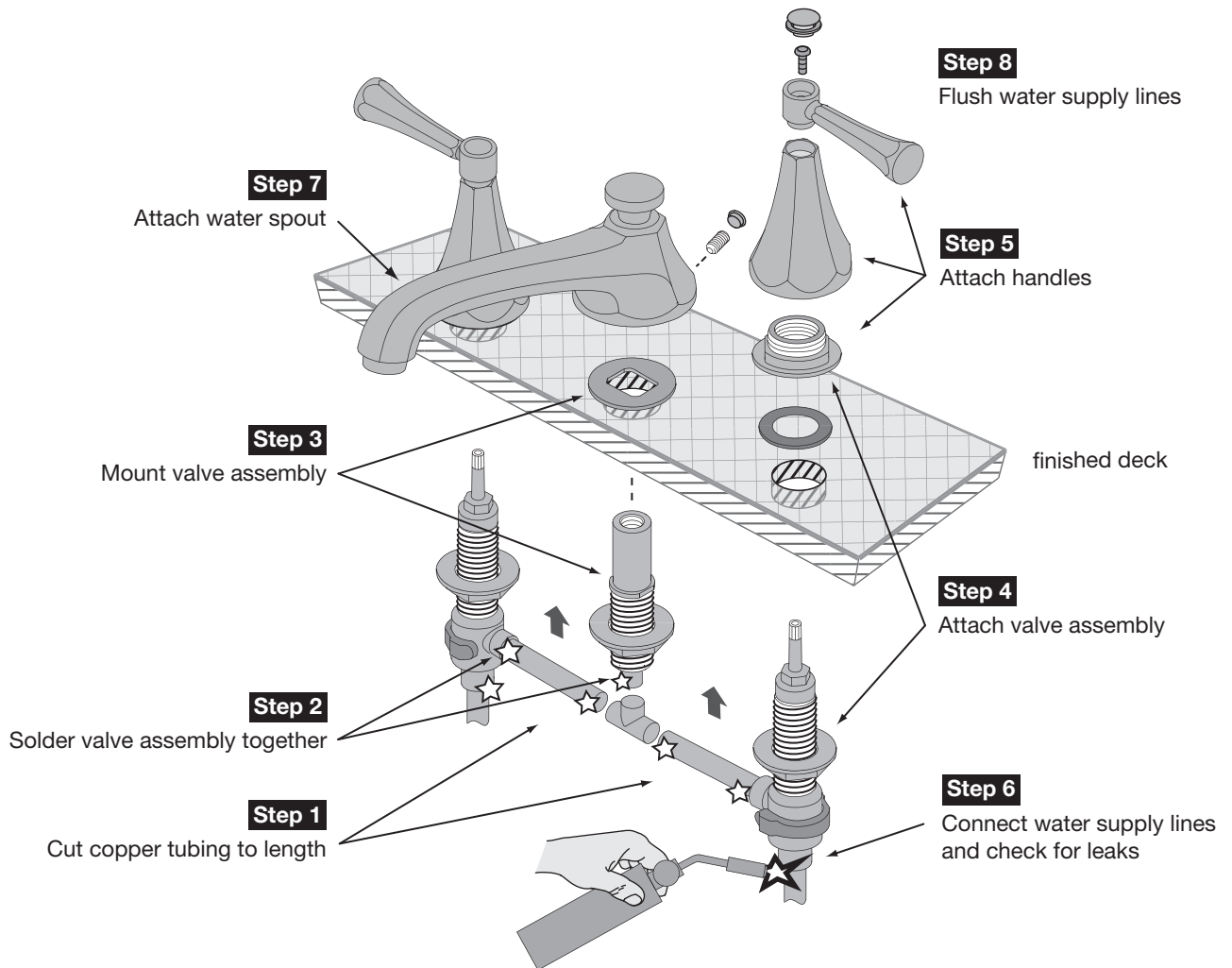


☎ Need Help?

Contact Symmons customer service at
 (800) 796-6667, (781) 848-2250
 Email: customerservice@symmons.com
 Monday - Friday 8:00 am - 7:30 pm EST

💻 Please check Symmons website
 for technical help, the latest product
 information and warranty policy.
www.symmons.com/service

Quick Install Guide *Canterbury Roman Tub Faucet, SRT-4570*

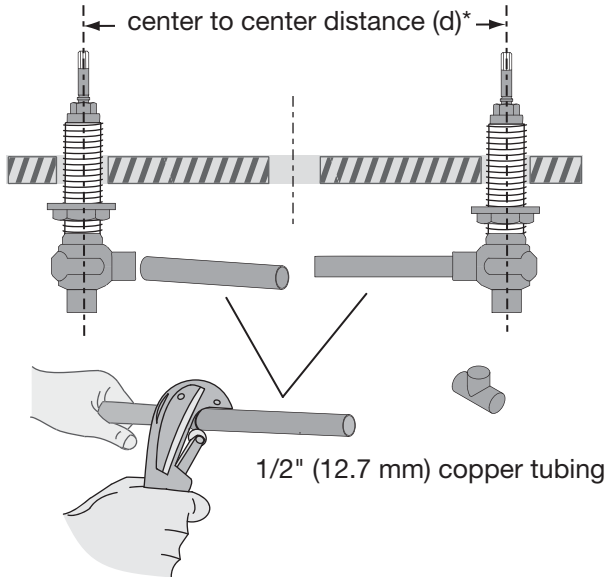


Installation Instructions

Caution: If replacing an older faucet ensure water supply is turned OFF before removing and then turn faucet handles ON to relieve water pressure.

Step 1 Cut copper tubing to length

Length = (d) minus 2-1/4 inches (57 mm) divided by 2.

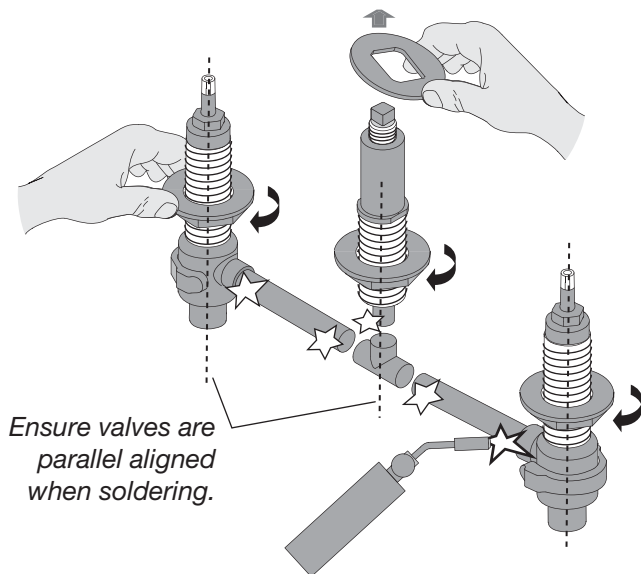


Example:

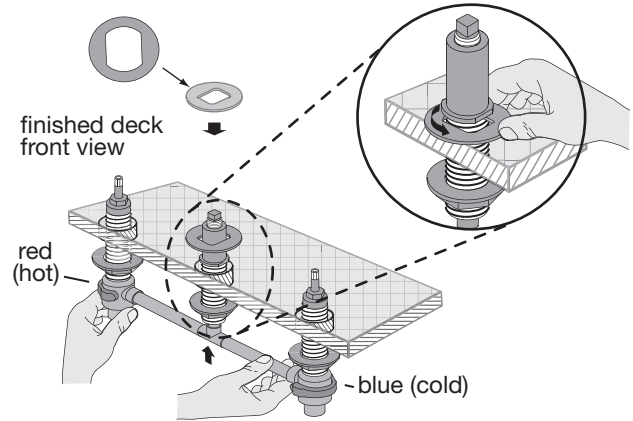
- If center to center distance (d) is 14 inches.
- 14 inches minus 2-1/4 inches = 11-3/4 inches.
- 11-3/4 inches divided by 2 = 5-7/8 inches.
- Cut 2 copper tubes into 5-7/8 inch lengths.

* Maximum distance (d) with supplied copper tubing is 18-1/4 inches (463 mm)

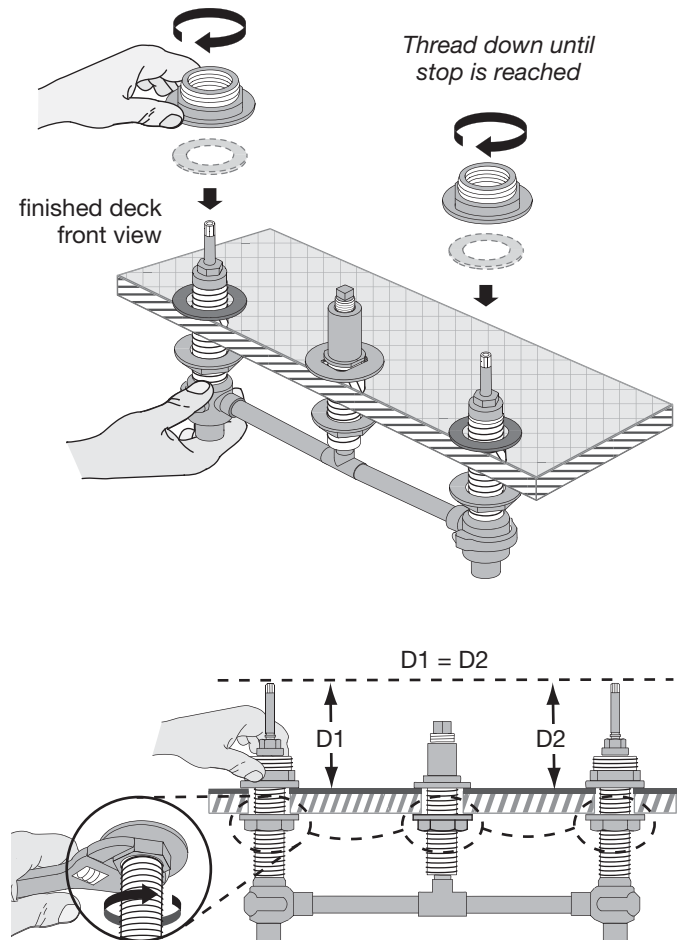
Step 2 Solder valve assembly together



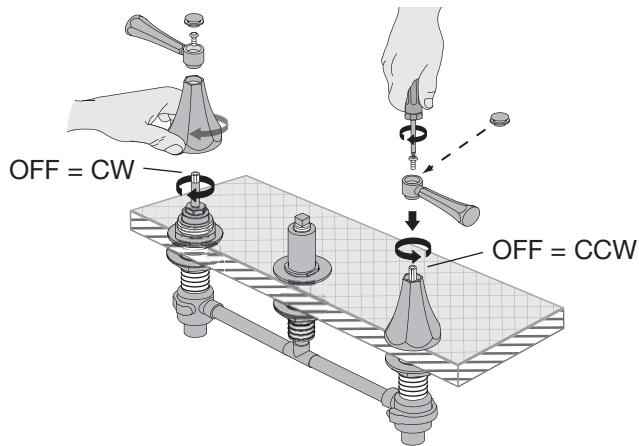
Step 3 Mount valve assembly to deck



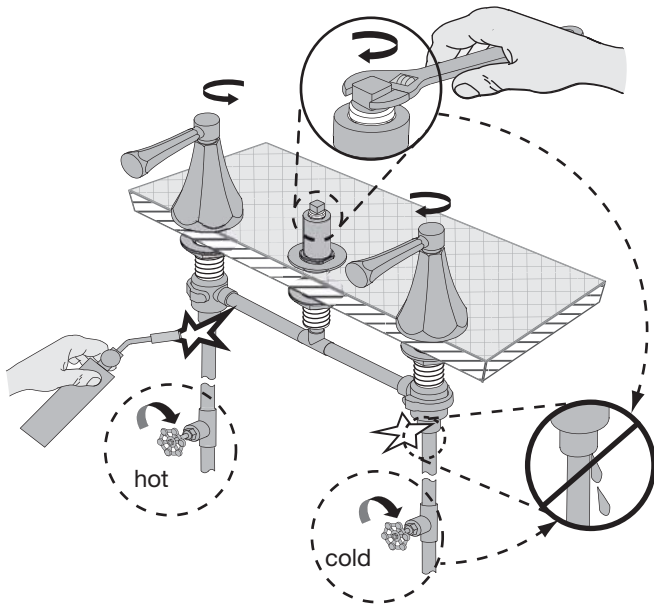
Step 4 Attach valve assembly to deck



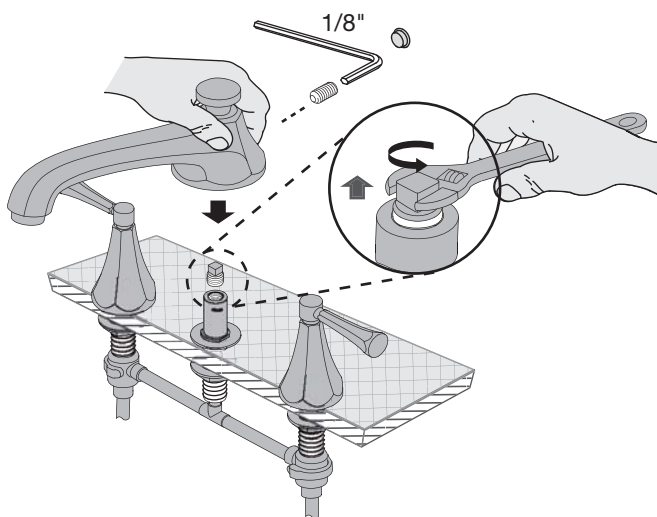
Step 5 Attach faucet handles



Step 6 Solder supply lines to valve inlets



Step 7 Attach faucet spout to deck



Step 8 Flush water supply lines

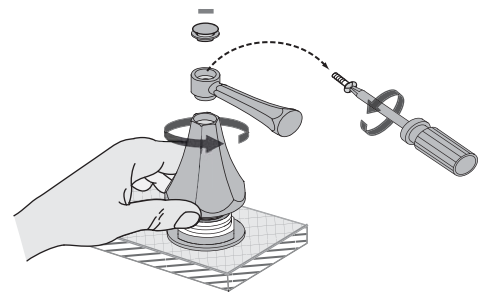


Care of faucet finish

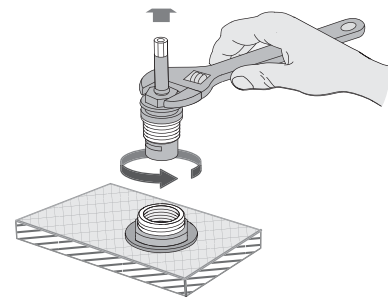
Clean finish area by using mild soap and water or non-abrasive cleaner and then rinse immediately. A non-abrasive wax may be used to preserve finish area.

Valve cartridge replacement

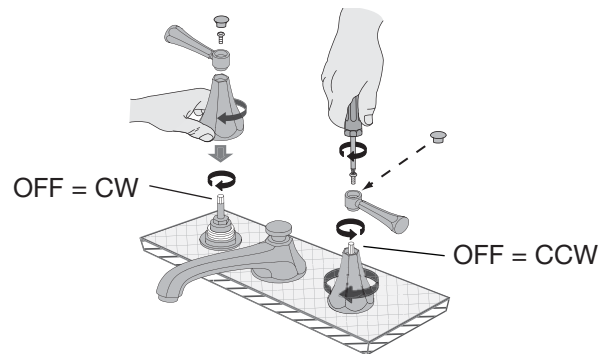
Step 1 Remove faucet handle and collar



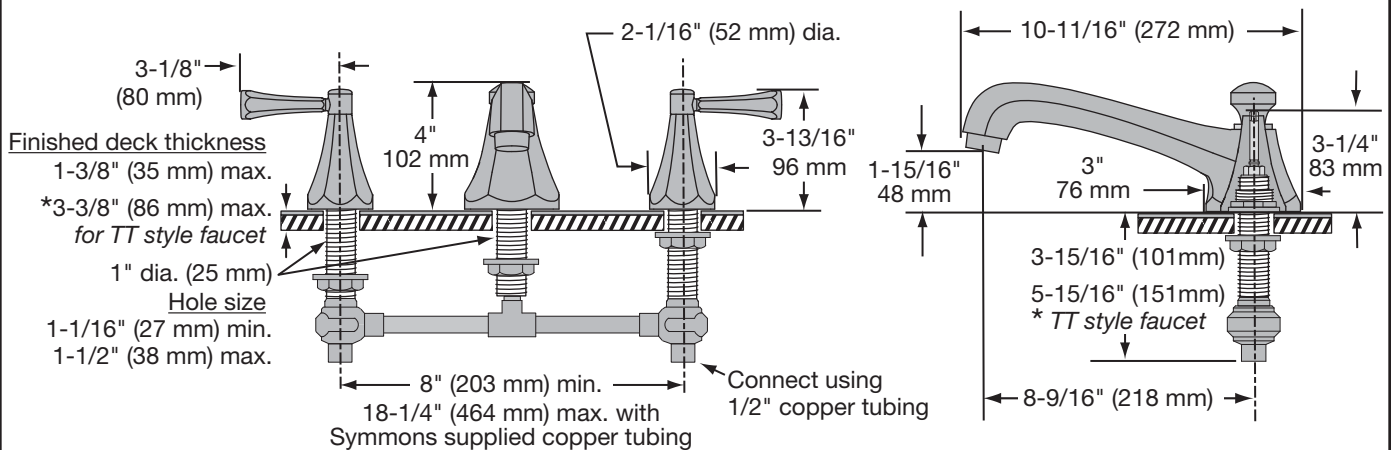
Step 2 Remove and replace cartridge



Step 3 Attach collar and faucet handle

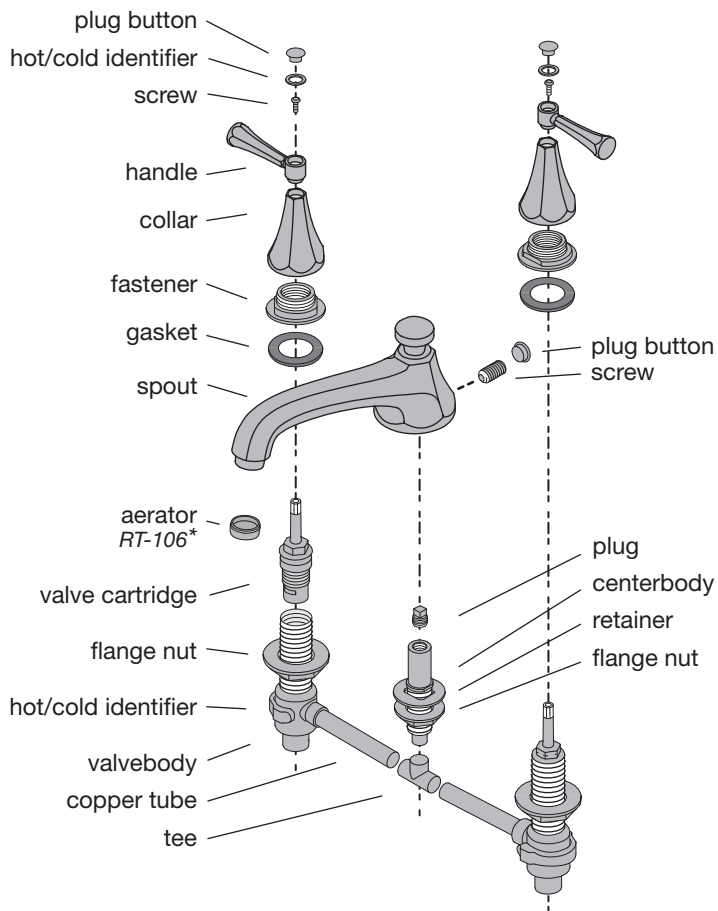


Dimensions *Canterbury Roman Tub Faucet, SRT-4570*

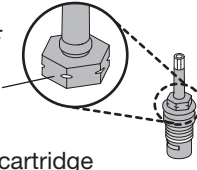


* Note: Use TT style faucet if deck thickness is 1-3/8" to 3-3/8" (35 mm - 86 mm),
Contact Symmons customer service to special order TT style faucet, model number SRT-4570-TT-BDY

Parts Assembly *Canterbury Roman Tub Faucet, SRT-4570*



Replacement Parts

Part Number	Item (Qty)
LOCT-RB-KIT*	plug button (2)
	screw (2)
	handle (2)
	collar (2)
	fastener (2)
	gasket (2)
KN-114E (hot) OFF = CW	 KN-113E identified by groove valve cartridge
KN-113E (cold) OFF = CCW	

* Note: For decorative finish faucets add suffix letters to parts marked with an asterisk.

Ordering replacement parts:

Call Symmons customer service at (800) 796-6667, (781) 848-2250 M-F 8:00 am - 7:30 pm EST or check our website at www.symmons.com for a list of Symmons distributors.