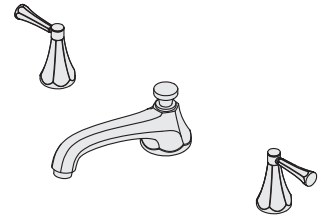


Location:

SYMMONS® Canterbury®



Roman Tub Faucet SRT-4570 Specification Submittal



Model Numbers

- SRT-4570 Roman Tub Faucet

Finish Options

Append appropriate -suffix to model number.

- STN Satin Nickel Finish
- Polished chrome (standard finish)

Feature Highlights

- Two handle Roman Tub Faucet with quarter turn ceramic control components.
- 1/2 rigid copper tubing connections
- Cast brass spout
- Metal construction
- Standard finish is polished chrome

Standards / Certifications

ASME A112.18.1/CSA B125.1



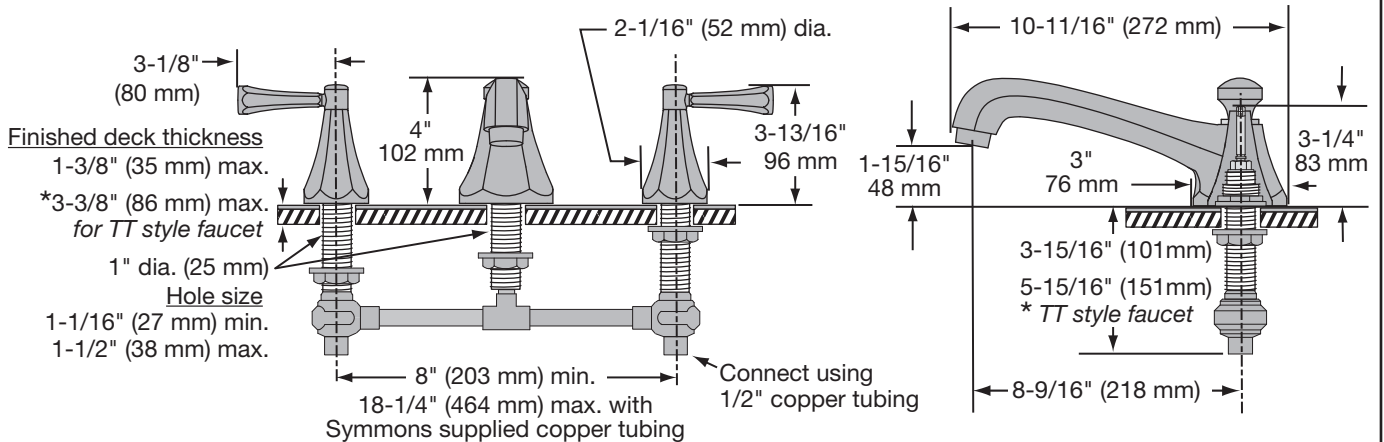
Options / Modifications

Append appropriate -suffix to model number.

Warranty

- Limited Lifetime - to the original end purchaser in consumer installations.
- 5 years - for commercial installations

Dimensions Canterbury Roman Tub Faucet, SRT-4570



* Note: Use TT style faucet if deck thickness is 1-3/8" to 3-3/8" (35 mm - 86 mm),
Contact Symmons customer service to special order TT style faucet, model number SRT-4570-TT-BDY

Symmons Industries, Inc. ■ 31 Brooks Drive ■ Braintree, MA 02184
Phone: (800) 796-6667 ■ Fax: (800) 961-9621
Website: symmons.com ■ Email: gethelp@symmons.com
Copyright © 2018 Symmons Industries, Inc. ■ ZV-1916 REV A ■ 121018

