

# SYMMONS® Museo™

## Two Handle Widespread Lavatory Faucet

### SLW-5312 Series

# Installation Brief



#### Model Number

SLW-5312 Two Handle Lavatory  
Series faucet with pop-up  
drain assembly

#### Decorative Finish Code

*Append to part numbers when applicable*

- BLK Polished graphite finish
- STN Satin nickel finish
- Polished chrome  
(standard finish)

#### Tools & Materials

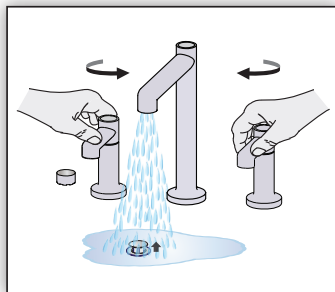


#### ☎ Need Help?

Contact Symmons customer service at  
P: (800) 796-6667, F: (800) 961-9621  
Email: [gethelp@symmons.com](mailto:gethelp@symmons.com)  
Monday - Friday 7:30 am - 7:00 pm EST

💻 Please check Symmons website  
for technical help, the latest product  
information and warranty policy.  
[www.symmons.com](http://www.symmons.com)

### Quick Install Guide Museo Widespread Lavatory Faucet, SLW-5312 Series



10

2

1

9

8

7

6

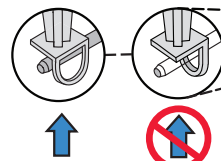
3

5

4

#### Step 4 Note:

Apply pipe sealant or  
plumber tape to flex  
hose adapters.



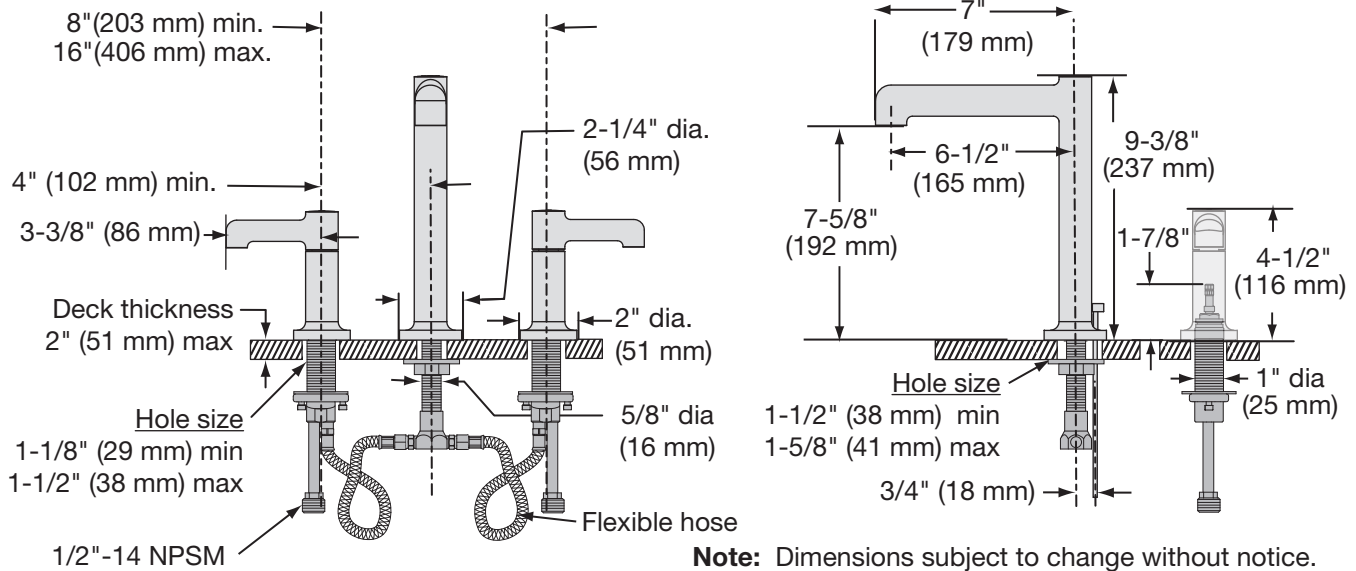
↑



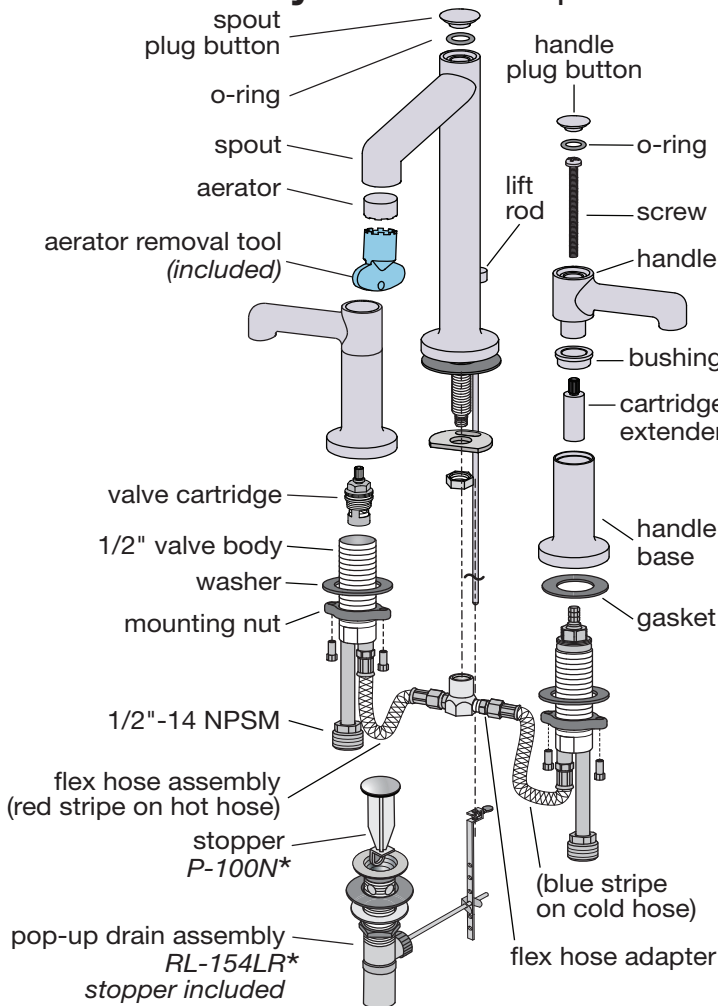
For California Residents

**WARNING:** This product contains chemicals known to the State of California to cause cancer, birth defects, or other reproductive harm.

## Dimensions Museo Widespread Lavatory Faucet, SLW-5312 Series



## Parts Assembly Museo Widespread Lavatory Faucet, SLW-5312 Series



### Replacement Parts

Part Number	Item
WSF-788-KIT*	handle assembly (QTY 2 each)
LN-794-KIT*	spout and plug button kit
RL-009-2.2 RL-009-1.5 RL-009-1.0	aerator & removal tool flow rates 2.2 gpm (8.3L /min) 1.5 gpm (5.7L /min) 1.0 gpm (3.8L /min)
KN-114 (hot) OFF = CW KN-113 (cold) OFF = CCW	valve cartridge KN-113 identified by grooves
RL-010*	Lift rod

### Ordering replacement parts:

Call Symmons customer service at (800) 796-6667, (781) 848-2250 M-F 7:30 am - 7:00 pm EST or check our website at [www.symmons.com](http://www.symmons.com) for a list of Symmons distributors.

**\*Note:** When ordering replacement parts for faucets with an optional decorative finish, append appropriate three letter finish suffix code to part numbers marked with an asterisk (\*).