

Location:



# SYMMONS® Degas™

## Shower Valve System S-5400

### Specification Submittal



#### Feature Highlights

- Symmons Shower Valve System with lever handle
- Symmons Temptrol® pressure-balancing mixing valve with adjustable stop screw to limit handle turn
- Secondary integral volume control handle
- Polished chrome finish

#### Model Numbers

- S-5400  
Shower Valve System with Symmons Temptrol® mixing valve p/n S-4001-BODY
- S-5400-TRM  
Trim only, mixing valve ordered separately
- S-4001-BODY  
Symmons Temptrol® mixing valve without trim
- S-4001-X-BODY  
Symmons Temptrol® mixing valve without trim. Valve includes integral service stops to allow water shut-off for service

#### Finish Options / Modifications

Append appropriate -suffix to model number

- STN Satin Nickel
- ORB Oil Rubbed Bronze
- Polished Chrome (standard finish)

#### Options / Modifications

Append appropriate -suffix to model number

- IPS 1/2 inch female IPS connections on Symmons Temptrol® mixing valve (not available with -X integral service stops)
- X Integral service stops included with Temptrol mixing valve to allow water shut-off for service, p/n S-4001-X-BODY (option only applies when ordering S-5400)
- REV Reverse coring in valve for back to back installations; hot on right, cold on left (only available with -X integral service stops)

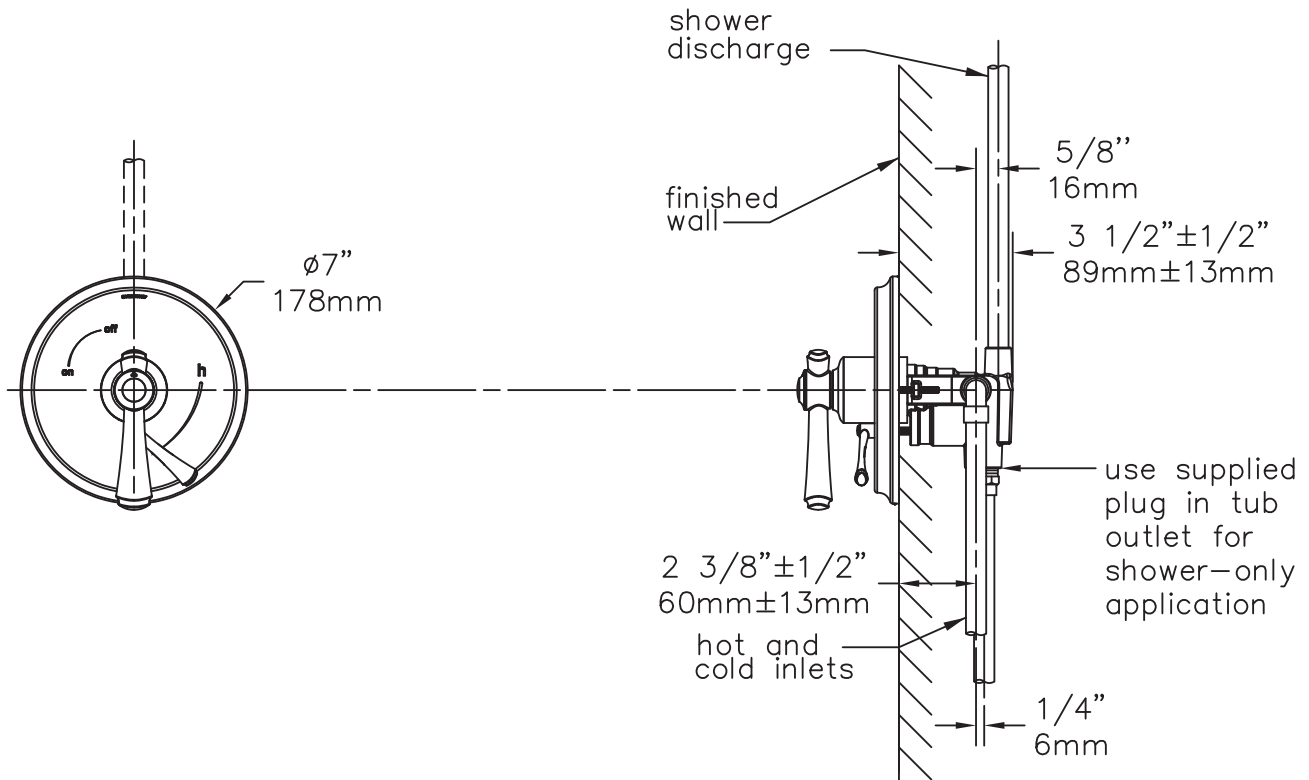
#### Standards / Certifications

ASME A112.18.1-2005/CSA B125.1-05

#### Warranty

- Limited Lifetime - to the original end purchaser in consumer installations
- 5 years - for commercial installations

## Dimensions Degas Shower Valve System, S-5400



**Note:** Dimensions subject to change without notice