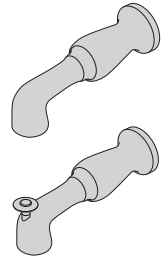


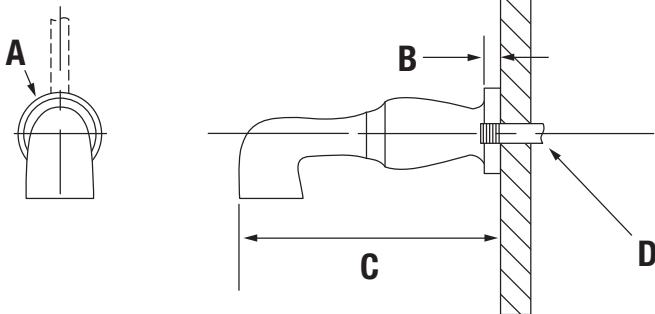
542TS, 542TSD
Degas™ Tub Spout Series
Operation & Maintenance Manual



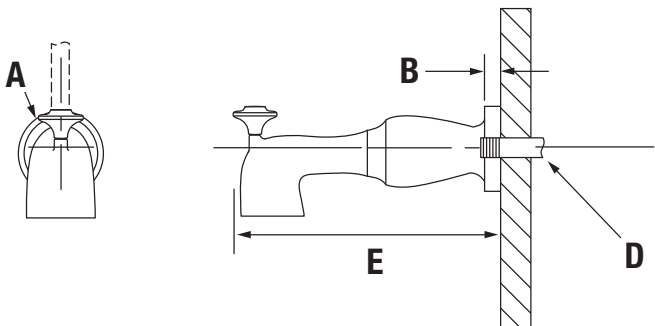
<p>Model Numbers</p> <p><input type="checkbox"/> 542TS <i>Degas Non-Diverter Tub Spout</i></p> <p><input type="checkbox"/> 542TSD <i>Degas Diverter Tub Spout</i></p>	<p>Specifications</p> <p>8" diverter tub spout (542TS) and 8 1/8" non-diverter tub spout (542TSD) made from brass materials plated in standard polished chrome finish.</p>
<p>Modifications</p> <p><input type="checkbox"/> -ORB <i>Oil rubbed bronze</i></p> <p><input type="checkbox"/> -STN <i>Satin nickel finish</i></p> <p>Note: Append appropriate -suffix to model number.</p>	<p>Warranty</p> <p>Limited Lifetime - to the original end purchaser in consumer installations. 5 Years - for commercial installations.</p> <p>Refer to www.symmons.com/warranty for complete warranty information.</p>

Dimensions

542TS



542TSD



Measurements	
A	Ø 2 1/2", 64 mm
B	1/2", 13 mm
C	8 1/8", 206 mm
D	1/2"-14 NPT
E	8", 203 mm

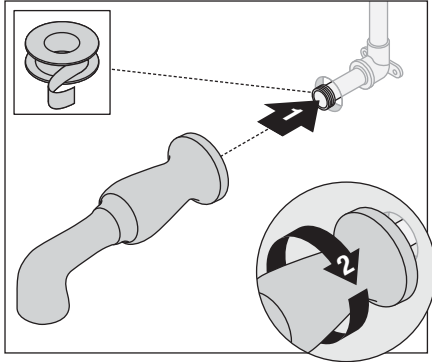
Required for Installation	
Teflon Tape	

Note: Dimensions are subject to change without notice.

542TS, 542TSD
Degas™ Tub Spout Series
Operation & Maintenance Manual

Installation

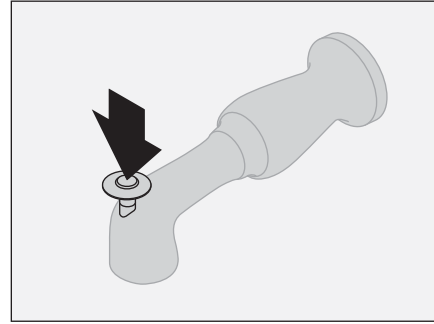
- 1) Install tub spout to stub out pipe. Turn clockwise to secure.



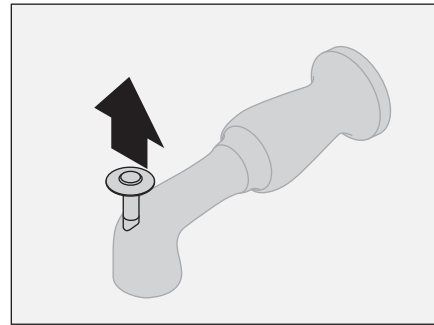
Diverter Control

Note: 542TSD only.

- 1) Diverter lever in down position for tub spout operation.



- 2) Diverter lever in up position for shower operation.



Care and Cleaning

- 1) Clean finished trim area with a soft cloth using mild soap and water or a non-abrasive cleaner and then quickly rinse with water.
-