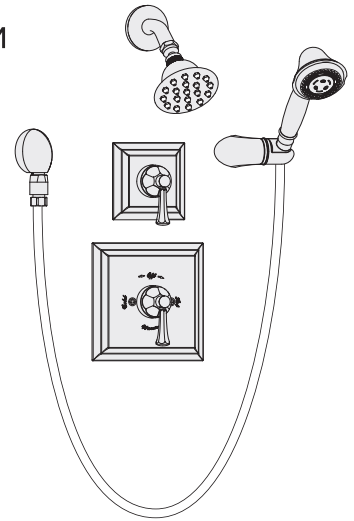


Location:

# SYMMONS® Canterbury™

## Shower System with Hand Shower 4505 Specification Submittal



### Feature Highlights

- Symmons shower system with lever handles.
- Symmons Temptrol® pressure balancing mixing valve with adjustable stop screw to limit handle turn.
- Separate dual outlet lever diverter valve
- Wall/hand shower with 5 foot flexible metal hose, in-line vacuum breaker, wall connection and cradle for hand shower mounting
- 3 Mode shower head with arm and flange
- Flow rate 2.5 gpm (9.5 L/min) for both shower head and hand shower
- Metal construction with polished chrome finish

### Model Numbers

- 4505 .....Shower System with Symmons Temptrol® pressure balancing mixing valve p/n 4000-BODY and dual outlet diverter p/n 2DIV-BODY
- 4505-TRM .....Trim only, valve and diverter must be ordered separately
- 4000-BODY.....Symmons Temptrol® pressure balancing mixing valve without trim
- 4000-X-BODY....Symmons Temptrol® pressure balancing mixing valve without trim. Valve includes integral service stops to allow water shut-off for service.
- 2DIV-BODY.... Symmons dual outlet diverter valve without trim

### Finish Options / Modifications

Append appropriate -suffix to model number.

- STN Satin nickel
- Polished chrome (standard finish)

### Options / Modifications

Append appropriate -suffix to model number.

- IPS 1/2 inch female IPS connections on Symmons Temptrol® mixing valve
- X Symmons Temptrol® pressure balancing mixing valve includes integral service stops to allow water shut-off for service, p/n 4000-X-BODY. (Option only applies when ordering model 4505.)
- 2.0 2.0 (7.6 L/min) Flow rate restrictor
- 1.5 1.5 (5.7 L/min) Flow rate restrictor
- T736 36 inch slide / grab bar with ADA hand shower in place of standard hand shower unit

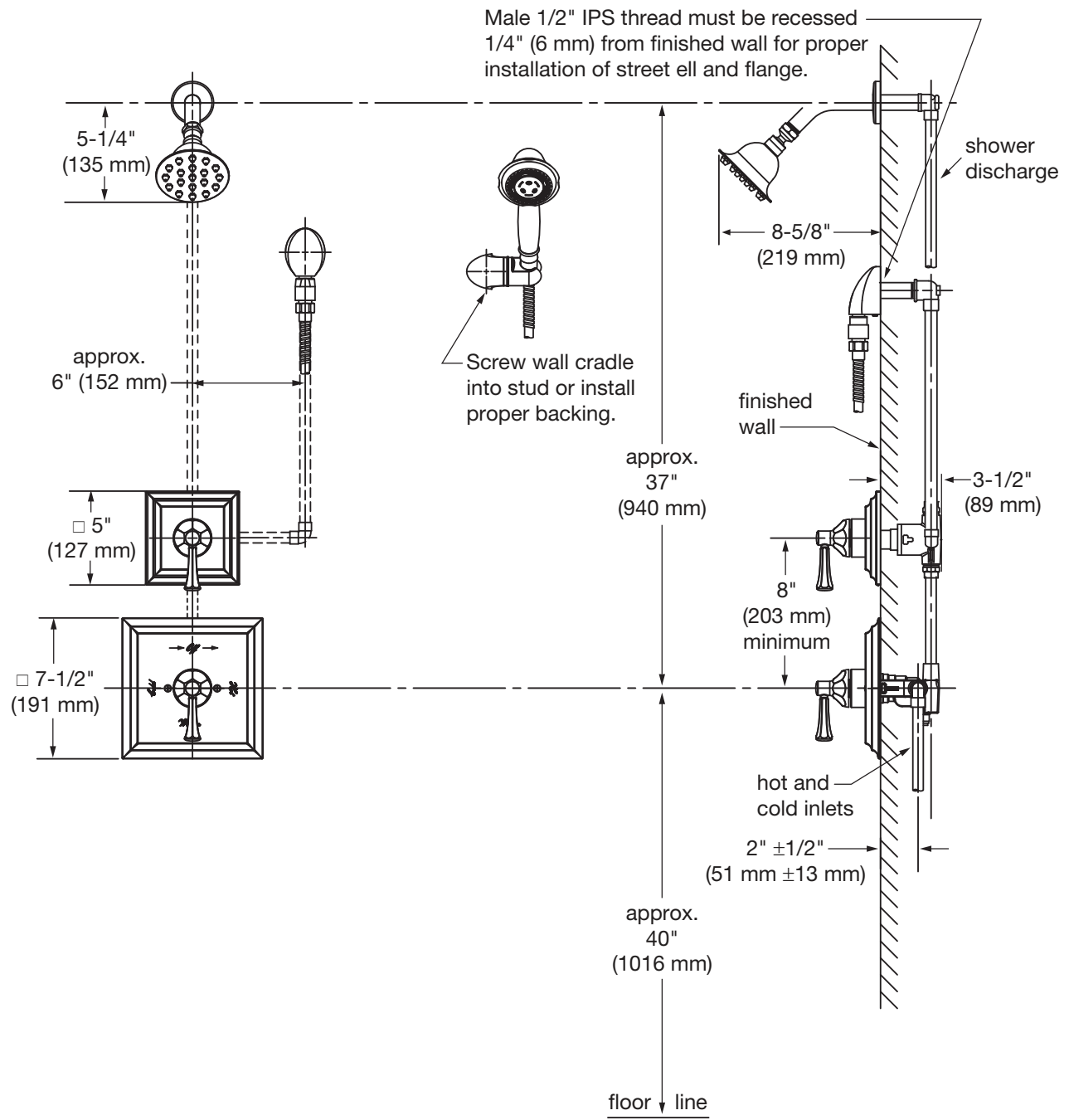
### Standards / Certifications

ASME A112.18.1/CSA B125.1

### Warranty

- Limited Lifetime - to the original end purchaser in consumer installations.
- 5 years - for commercial installations

## Dimensions *Canterbury Shower System with Hand Shower, 4505*



**Note:** Dimensions subject to change without notice.