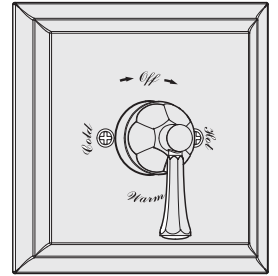


Location:

**SYMMONS® Canterbury™**  
**Shower Valve System 4500**  
**Specification Submittal**



**Feature Highlights**

- Symmons shower valve system with lever handles.
- Symmons Temptrol® pressure balancing mixing valve with adjustable stop screw to limit handle turn.
- Metal construction
- Standard finish is polished chrome

**Model Numbers**

- 4500.....Shower Valve System with Symmons Temptrol® pressure balancing mixing valve p/n 4000-BODY
- 4500-TRM.....Trim only, valve must be ordered separately
- 4000-BODY.....Symmons Temptrol® pressure balancing mixing valve without trim
- 4000-X-BODY.... Symmons Temptrol® pressure balancing mixing valve without trim. Valve includes integral service stops to allow water shut-off for service.

**Finish Options / Modifications**

*Append appropriate -suffix to model number.*

- STN Satin nickel
  - Polished chrome (standard finish)

**Options / Modifications**

*Append appropriate -suffix to model number.*

- IPS 1/2 inch female IPS connections on Symmons Temptrol® mixing valve
- X Symmons Temptrol® pressure balancing mixing valve includes integral service stops to allow water shut-off for service, p/n 4000-X-BODY. (Option only applies when ordering model 4500.)

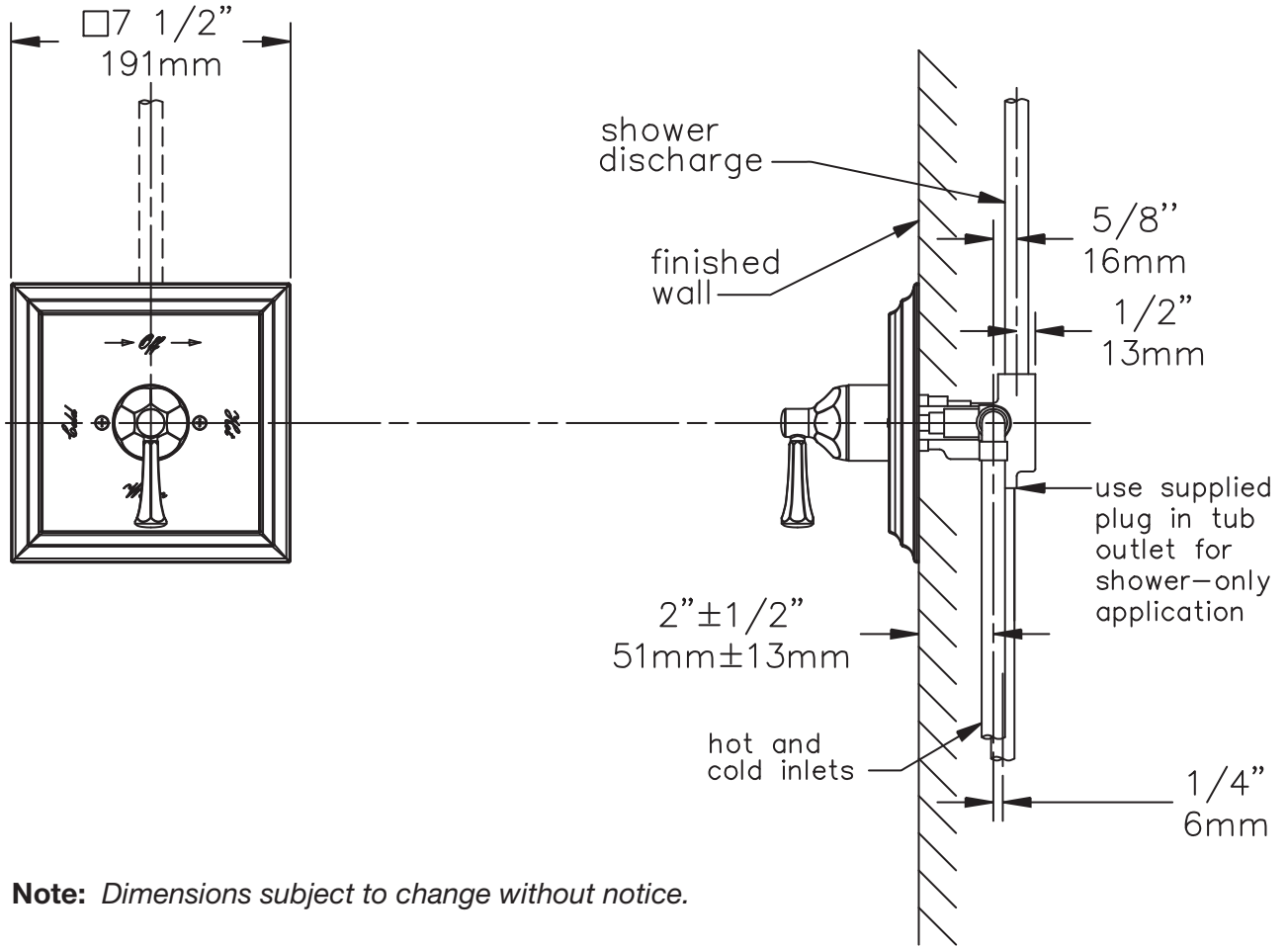
**Standards / Certifications**

ASME A112.18.1-2005/CSA B125.1-05

**Warranty**

- Limited Lifetime - to the original end purchaser in consumer installations.
- 5 years - for commercial installations

**Dimensions** *Canterbury Shower Valve System, 4500*



**Note:** *Dimensions subject to change without notice.*