

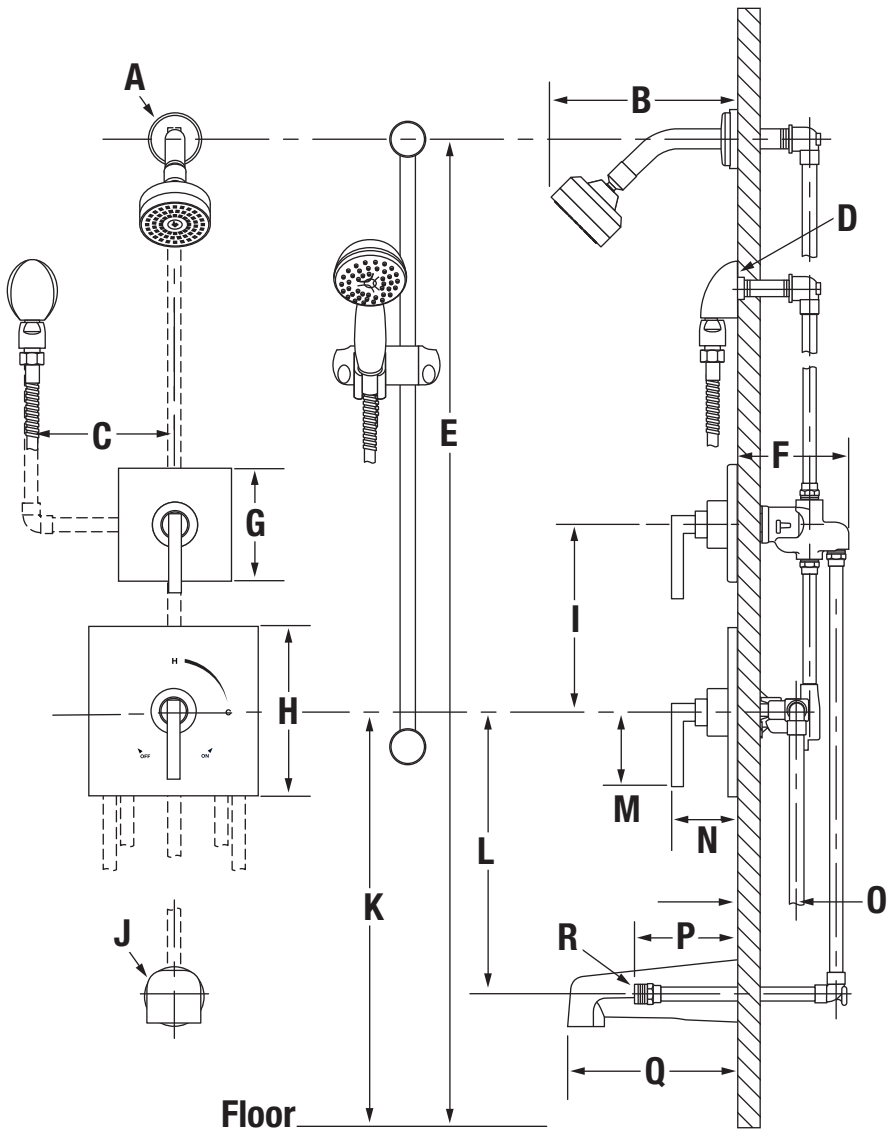


3606
Tub/Shower/Hand Shower System
Operations & Maintenance Manual



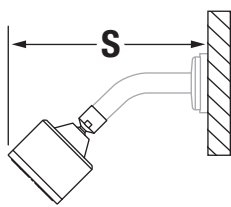
Model Numbers	Specifications
<input type="checkbox"/> 3606 <i>Duro Tub/Shower/Hand Shower System</i>	Tub/shower/hand shower system powered by the Temptrol® Pressure Balancing valve. Features 30" slide bar, separate three function diverter, non-diverter tub spout, in-line vacuum breaker, 60" flexible metal hose, 1 mode hand shower, 1 mode showerhead and standard 2.5 gpm (9.5 L/min) flow restrictors. Components made from metal and nonmetallic materials plated in standard polished chrome finish.
Modifications	Compliance
<input type="checkbox"/> -1.5  <i>1.5 gpm (5.7 L/min) flow restrictor</i> <input type="checkbox"/> -D2 <i>Wide, square lever handle</i> <input type="checkbox"/> -D3 <i>Stacked, square lever handle</i> <input type="checkbox"/> -SH1 <i>Round, 1 mode showerhead</i> <input type="checkbox"/> -SH2 <i>Round, 3 mode showerhead</i> <input type="checkbox"/> -SH4 <i>Square, 1 mode showerhead</i> <input type="checkbox"/> -T4 <i>Square, non-diverter tub spout</i> <input type="checkbox"/> -TRM <i>Trim only, valve not included</i>	-ASME A112.18.1/CSA B125.1  Warranty Limited Lifetime - to the original end purchaser in consumer/residential installations. 5 Years - for industrial/commercial installations. Refer to www.symmons.com/warranty for complete warranty information.
<p>Note: Append appropriate -suffix to model number.</p>	

Dimensions

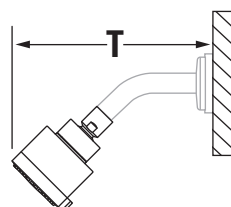


Measurements	
A	Ø 2-1/2", 64 mm
B	6", 152 mm
C	6", 152 mm right or left
D	Male 1/2-14 NPT thread must be recessed 1/4" from finished wall
E	Ref. 77", 1956 mm
F	4-7/8", 123 mm
G	5", 127 mm
H	7-1/2", 191 mm
I	Ref. 10", 254 mm
J	Ø 2-1/2", 64 mm
K	Ref. 32", 813 mm
L	Ref. 12", 305 mm
M	3-1/8", 79 mm
N	3-1/2", 89 mm
O	Rough-in 2-3/8" ± 1/2", 60 mm ± 13 mm
P	5-1/4", 133 mm
Q	7", 178 mm
R	Male 1/2-14 NPT fitting must protrude 5 1/4" (133 mm) from finished wall
S	6-3/4", 171 mm
T	6-3/4", 171 mm
U	5-5/8", 143 mm
V	3-1/8", 80 mm
W	3-5/8", 92 mm
X	3-1/8", 79 mm
Y	3-5/8", 92 mm
Z	2-1/4", 57 mm
AA	2-3/4", 70 mm
BB	6", 152 mm
CC	Female 1/2-14 NPT fitting must be recessed 3/8" from finished wall

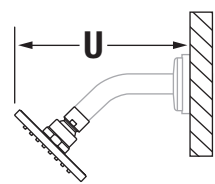
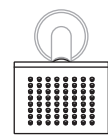
-SH1



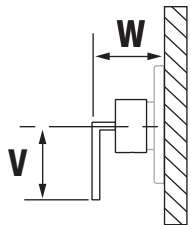
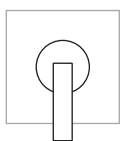
-SH2



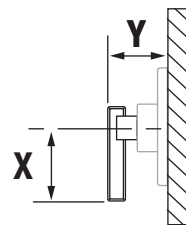
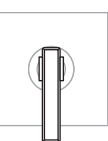
-SH4



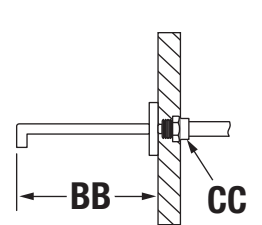
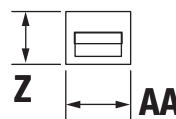
-D2



-D3



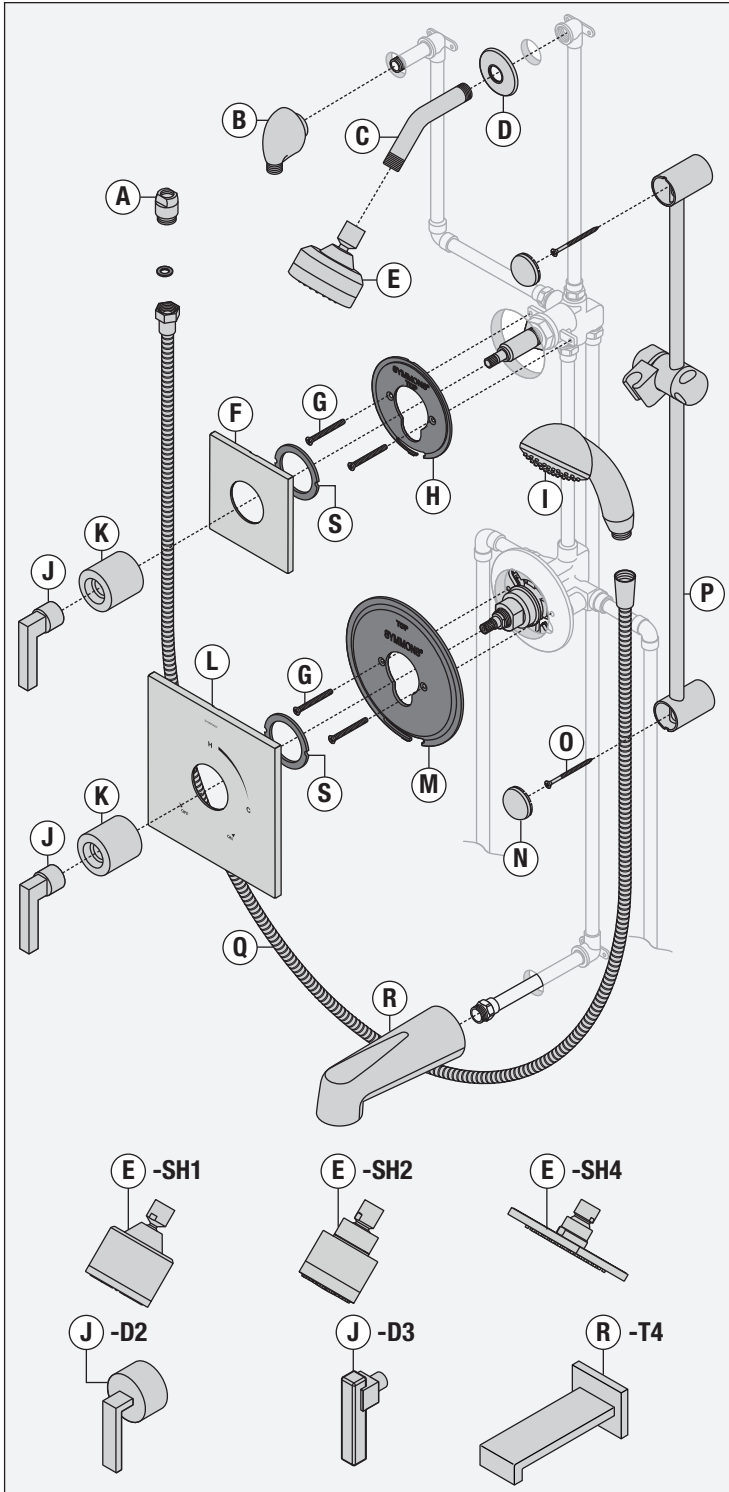
-T4



Notes:

- 1) All dimensions measured from nominal rough-in (see O as reference).
- 2) Dimensions are subject to change without notice.

Parts Breakdown



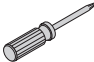





- Notes:** 1) Apply a bead of silicone around the perimeter of all shower trim installed flush to the finished wall. Leave opening on bottom of escutcheon for weep hole.
2) Apply plumber tape to all threaded connections.

Replacement Parts

Item	Description	Part Number
A Q	In-line Vacuum Breaker & 60" Hose	EF-104
B	Wall Elbow	EF-105
I	Hand Shower	EF-100
N O P	Slide Bar Assembly	SC-115
C D	Shower Arm Flange	300S
E	Showerhead	362SH
E (-SH1)	Round, 1 Mode Showerhead	352SH
E (-SH2)	Round, 3 Mode Showerhead	352SH-3
E (-SH4)	Square, 1 Mode Showerhead	361SH
F G H S	Diverter Escutcheon Screws Mounting Plate Gasket	T-525-NS
G L M S	Screws Escutcheon Mounting Plate Gasket	T-470-NS-K009
J	Handle Assembly	T-617
J (-D2)	Wide, Square Lever Handle	RTS-092
J (-D3)	Stacked, Square Lever Handle	RTS-093
K	Dome Cover	RTS-037
R	Tub Spout	067
R (-T4)	Tub Spout	361TS

Tools Required for Installation

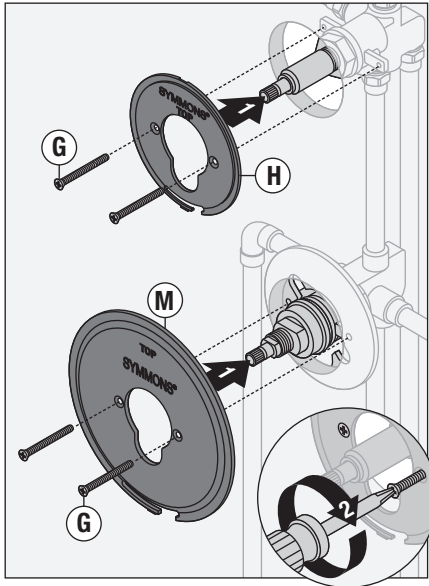
Adjustable wrench	
Allen wrench (1/8")	
Phillips head screwdriver	
Plumber tape	
Power drill	
Silicone	

Installation

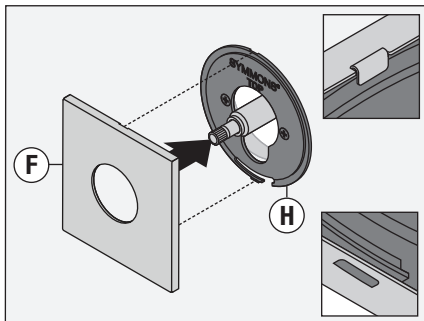
Note:

For valve body installation, please see valve body installation guides.

- 1) Install small mounting plate (H) to diverter valve and large mounting plate (M) to shower valve (46-2-BODY). Secure each with two screws (G).

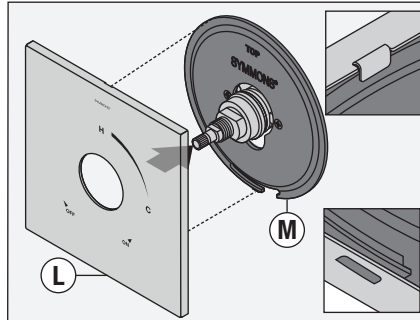


- 2) Attach diverter escutcheon (F) to small mounting plate (H).



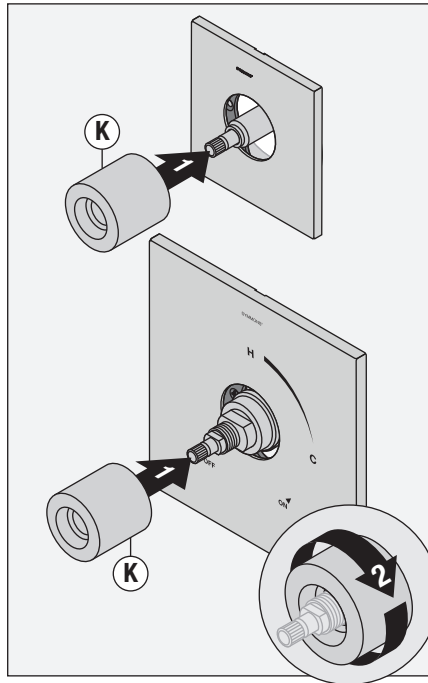
Note: Tabs should snap into place.

- 3) Attach shower escutcheon (L) to large mounting plate (M).

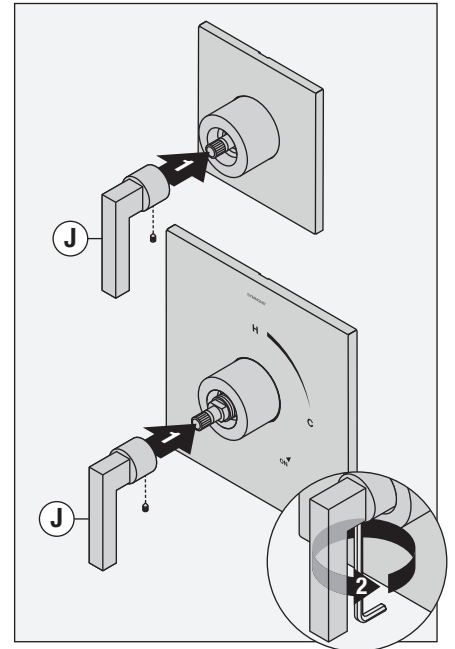


Note: Tabs should snap into place.

- 4) Install dome covers (K) to valves by turning clockwise.

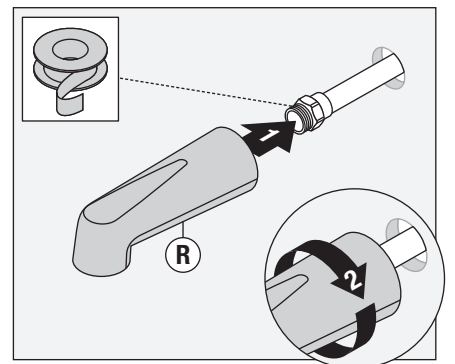


- 5) Install diverter handle (J) and shower handle (J) to valves. Secure handles by tightening set screws.



Note: Handles should be facing the 6 o'clock position.

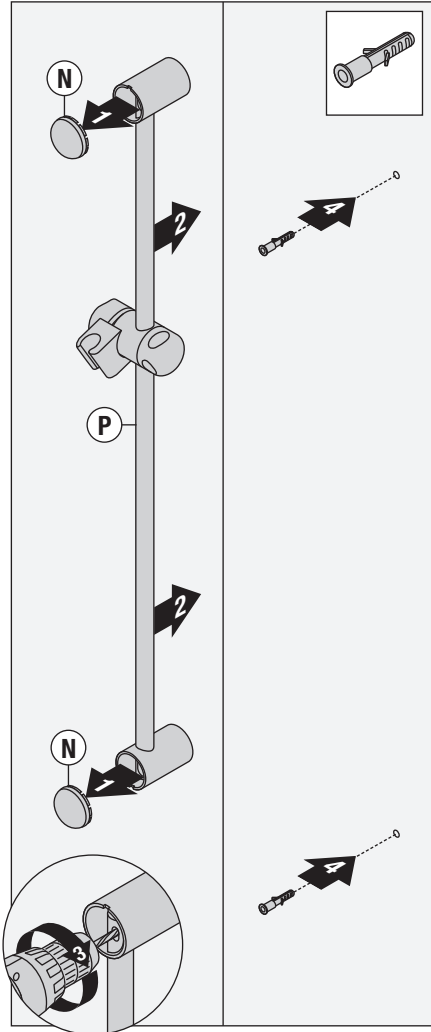
- 6) Install tub spout (R) to pipe fitting. Turn clockwise to secure.



Note: Install 361TS (-T4) to female pipe fitting.

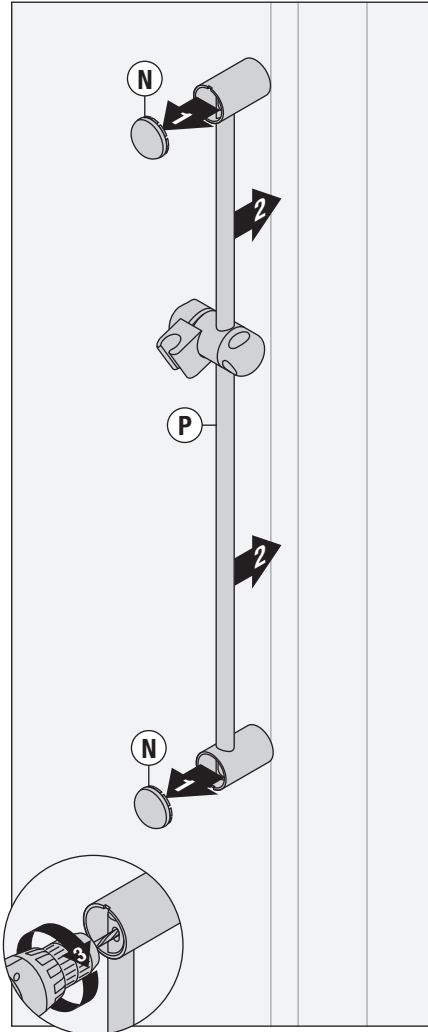
Installation

7a) **Dry Wall Option:** Remove upper and lower caps (N) from slide bar brackets. Place slide bar (P) into desired position. Using brackets as a guide, carefully drill 3/16" holes into wall. Remove slide bar and install anchors.



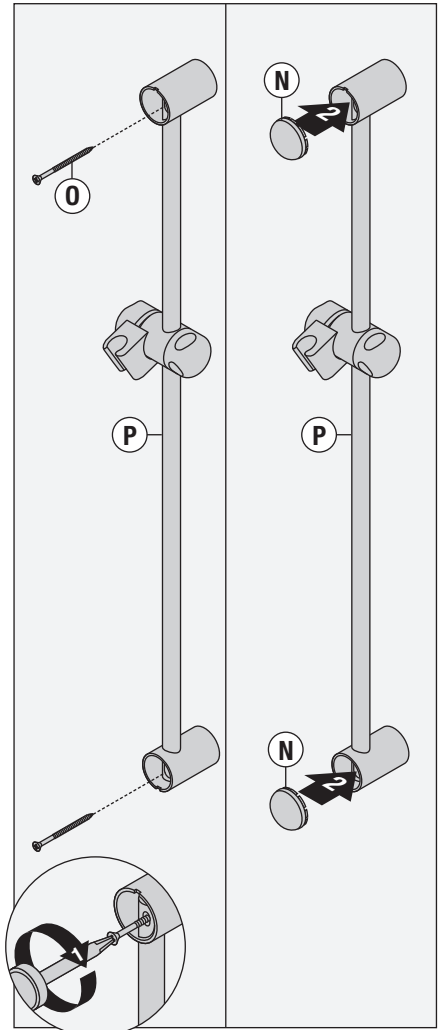
Notes: Make sure that slide bar holes and bracket holes are aligned before drilling. Before drilling bottom hole, make sure slide bar is plumb.

7b) **Stud Option:** Remove upper and lower caps (N) from slide bar brackets. Place slide bar (P) into desired position. Using brackets as a guide, carefully drill 1/8" pilot holes into stud.



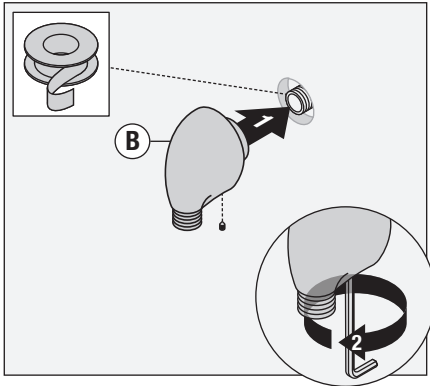
Notes: Make sure that slide bar holes and bracket holes are aligned before drilling. Before drilling bottom hole, make sure slide bar is plumb.

8) With slide bar (P) in position, secure to wall using screws (O). Replace upper and lower caps (N) onto slide bar brackets.

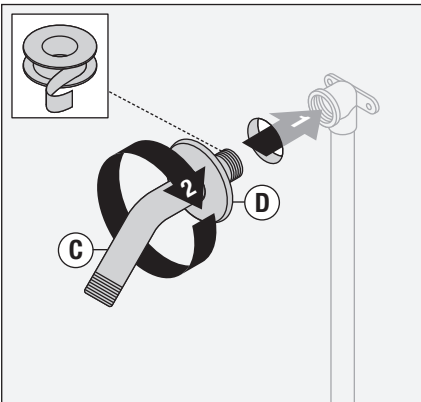


Installation

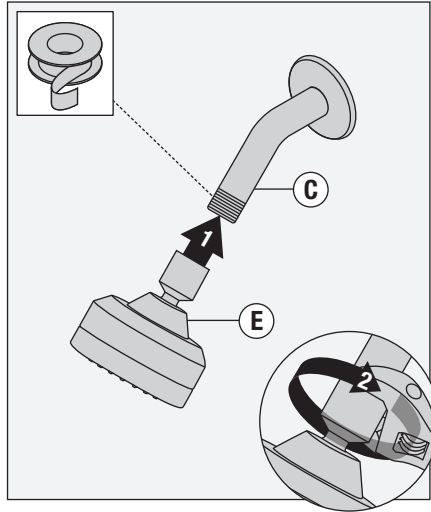
- 9) Install wall elbow (B) to stub out pipe. Tighten set screw to secure.



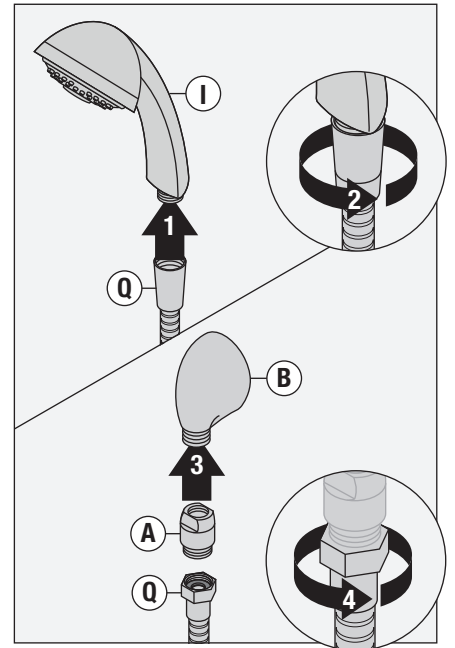
- 10) Attach shower arm (C) and flange (D) to vertical shower pipe turning clockwise to tighten.



- 11) Install showerhead (E) to shower arm (C). Turn clockwise to tighten.

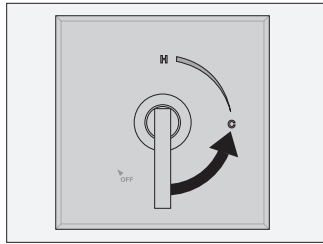


- 12) Attach large end of hand shower hose (Q) to hand shower (I). Attach small end of hand shower hose (Q) to in-line vacuum breaker (A). Connect in-line vacuum breaker to wall elbow (B). Turn clockwise to tighten.

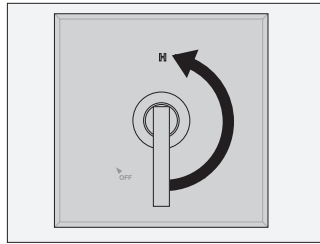


Operation (Temperature)

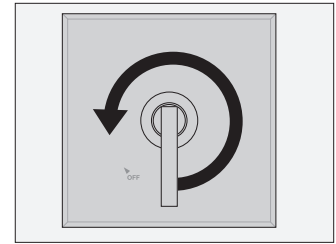
- 1) Turn shower handle counterclockwise approximately 1/4 turn to put valve in cold position.



- 2) Turn shower handle counterclockwise approximately 1/2 turn to put valve in warm position.

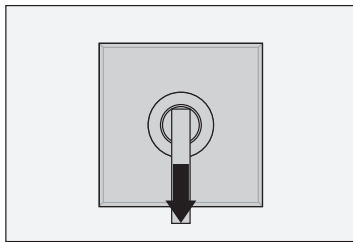


- 3) Turn shower handle counterclockwise approximately 3/4 turn to put valve in hot position.

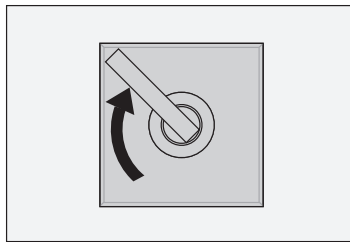


Operation (Diverter)

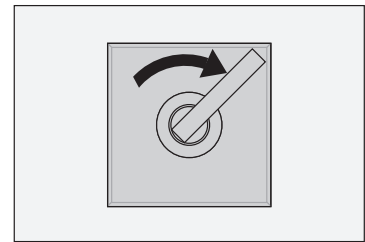
- 1) Cartridge is factory set to divert to function 1.



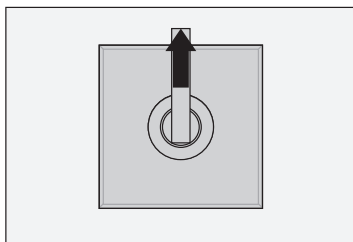
- 2) Turn handle to position 2 to divert to function 2.



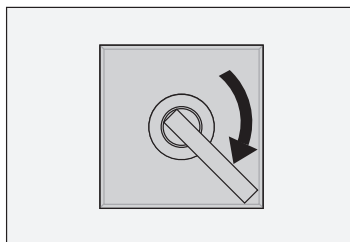
- 3) Turn handle to position 3 to divert to function 3.



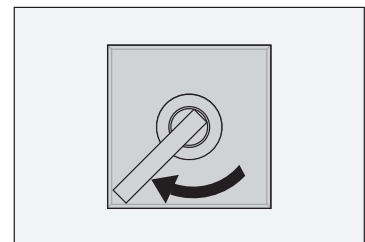
- 4) Turn handle to position 4 to share functions 2 and 3.



- 5) Turn handle to position 5 to share functions 1 and 3.



- 6) Turn handle to position 6 to share functions 1 and 2.



Care and Cleaning

- 1) Clean finished trim area with a soft cloth using mild soap and water or a non-abrasive cleaner and then quickly rinse with water.

Troubleshooting Chart

Problem	Cause	Solution
Finish is spotting.	Elements in water supply may cause water staining on finish.	Clean finished trim area with a soft cloth using mild soap and water or a non-abrasive cleaner and then quickly rinse with water.