





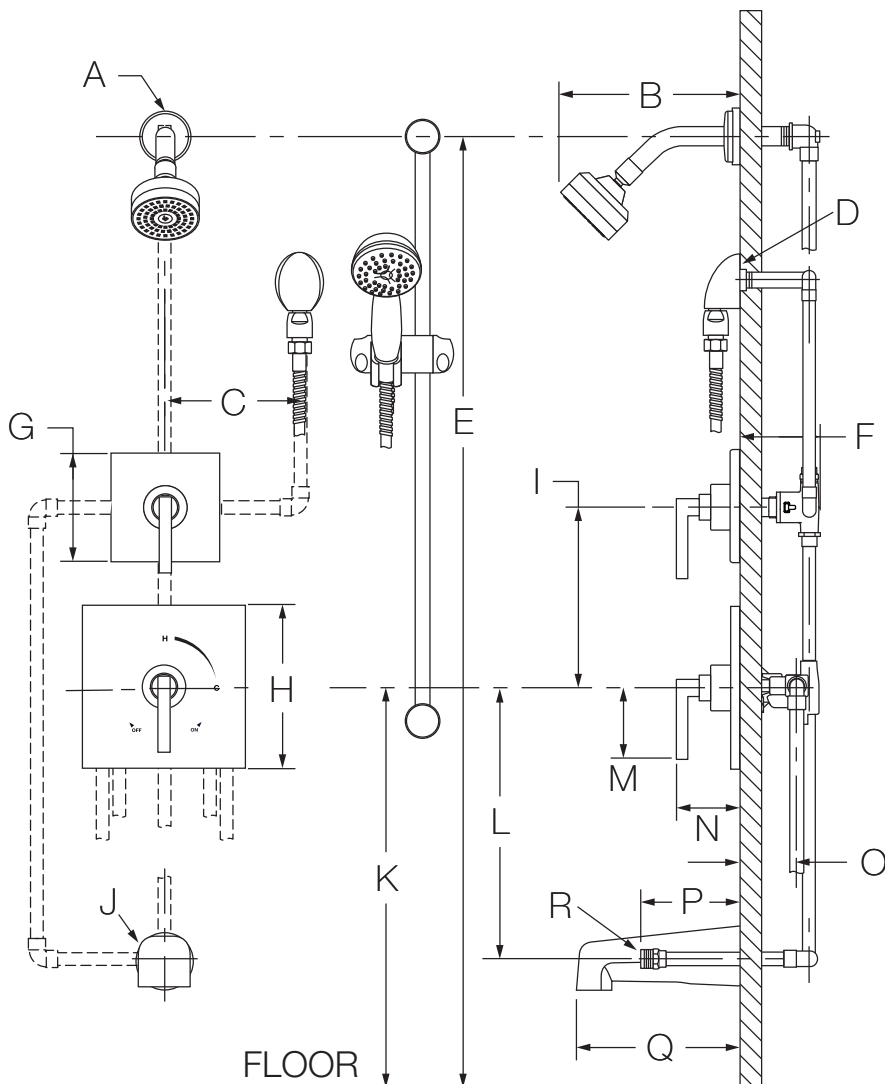
Location:



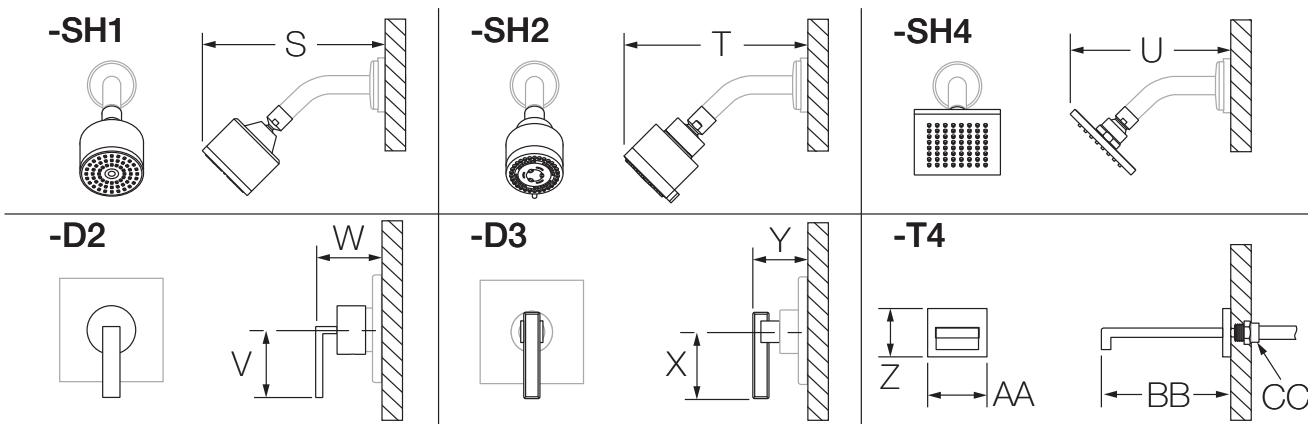
3606
Tub/Shower/Hand Shower System
Specification Submittal

Model Numbers	Specification
<input type="checkbox"/> 3606 <i>Tub/Shower/Hand Shower System</i>	Tub/shower/hand shower system powered by the Temptrol® pressure balancing valve. Features 30" slide bar, separate three function diverter, non-diverter tub spout, in-line vacuum breaker, 60" flexible metal hose, 1 mode hand shower, 1 mode showerhead and standard 2.5 gpm (9.5 L/min) flow restrictors. Components made from metal and nonmetallic materials, plated in standard polished chrome finish.
Modifications	Compliance
<input type="checkbox"/> -1.5  <i>1.5 gpm (5.7 L/min) flow restrictor</i> <input type="checkbox"/> -D2 <i>Wide, square lever handle</i> <input type="checkbox"/> -D3 <i>Stacked, square lever handle</i> <input type="checkbox"/> -SH1 <i>Round, 1 mode showerhead</i> <input type="checkbox"/> -SH2 <i>Round, 3 mode showerhead</i> <input type="checkbox"/> -SH4 <i>Square, 1 mode showerhead</i> <input type="checkbox"/> -T4 <i>Square, non-diverter tub spout</i> <input type="checkbox"/> -TRM <i>Trim only, valve not included</i>	<p data-bbox="836 850 1201 877">-ASME A112.18.1/CSA B125.1</p> <div data-bbox="1421 840 1518 934" style="text-align: right;">  </div> <hr/> <p data-bbox="820 966 966 997">Warranty</p> <p data-bbox="836 1039 1437 1092">Limited Lifetime - to the original end purchaser in consumer/residential installations.</p> <p data-bbox="836 1102 1453 1186">5 Years - for industrial/commercial installations. Refer to www.symmons.com/warranty for complete warranty information.</p>
<p>Note: Dimensions subject to change without notice.</p>	

Dimensions



Measurements	
A	Ø 2-1/2", 64 mm
B	6", 152 mm
C	6", 152 mm right or left
D	Male 1/2-14 NPT thread must be recessed 1/4" from finished wall
E	Ref. 77", 1956 mm
F	3-1/2", 89 mm
G	5", 127 mm
H	7-1/2", 191 mm
I	Ref. 10", 254 mm
J	Ø 2-1/2", 64 mm
K	Ref. 32", 813 mm
L	Ref. 12", 305 mm
M	3-1/8", 79 mm
N	3-1/2", 89 mm
O	Rough-in 2-3/8" ± 1/2", 60 mm ± 13 mm
P	5-1/4", 133 mm
Q	7", 178 mm
R	Male 1/2-14 NPT fitting must protrude 5 1/4" (133 mm) from finished wall
S	6-3/4", 171 mm
T	6-3/4", 171 mm
U	5-5/8", 143 mm
V	3-1/8", 80 mm
W	3-5/8", 92 mm
X	3-1/8", 79 mm
Y	3-5/8", 92 mm
Z	2-1/4", 57 mm
AA	2-3/4", 70 mm
BB	6", 152 mm
CC	Female 1/2-14 NPT fitting must be recessed 3/8", 10 mm from finished wall



Notes:

- 1) All dimensions measured from nominal rough-in (see O as reference).
- 2) Dimensions subject to change without notice.