


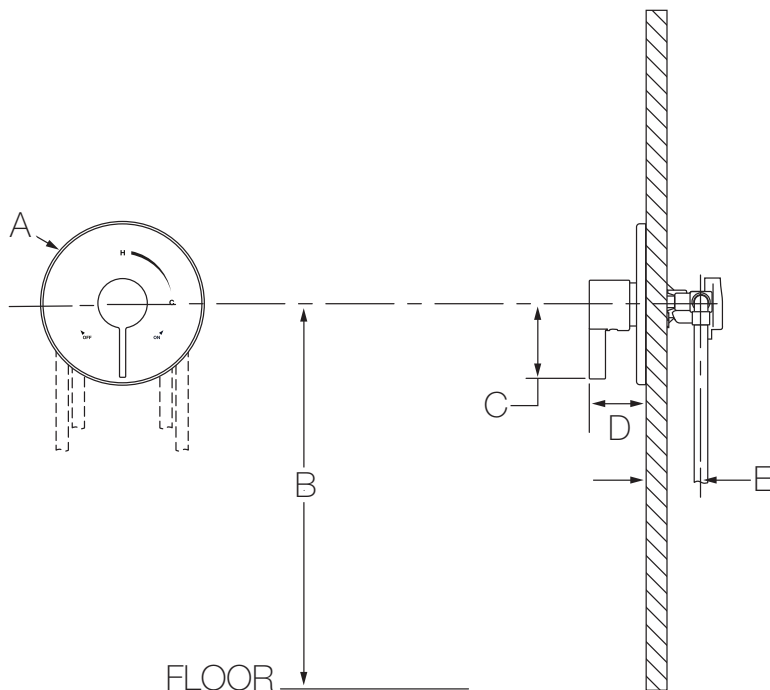


3520-B
Shower Valve
Specification Submittal

Model Numbers	Specifications
<input type="checkbox"/> 3520-B <i>Dia Shower Valve</i>	Shower valve powered by the Temptrol® Pressure Balancing valve. Valve body includes adjustable stop screw to limit handle turn. Components made from metal and nonmetallic materials plated in standard polished chrome finish.
Modifications <input type="checkbox"/> -Delete Suffix B <i>Nonmetallic chrome plated escutcheon in place of standard brass escutcheon</i>	
Compliance	Warranty
-ASME A112.18.1/CSA B125.1 	Limited Lifetime - to the original end purchaser in consumer/residential installations. 5 Years - for industrial/commercial installations. Refer to www.symmons.com/warranty for complete warranty information.



Dimensions



Measurements	
A	Ø 7 1/2", 191 mm
B	42", 1067 mm
C	3", 76 mm
D	2 7/8", 73 mm
E	Rough-in 2 3/8" ± 1/2", 60 mm ± 13 mm

Notes:

- 1) All dimensions measured from nominal rough-in (see E as reference).
- 2) Dimensions are subject to change without notice.