



SYMMONS® Safetymix®

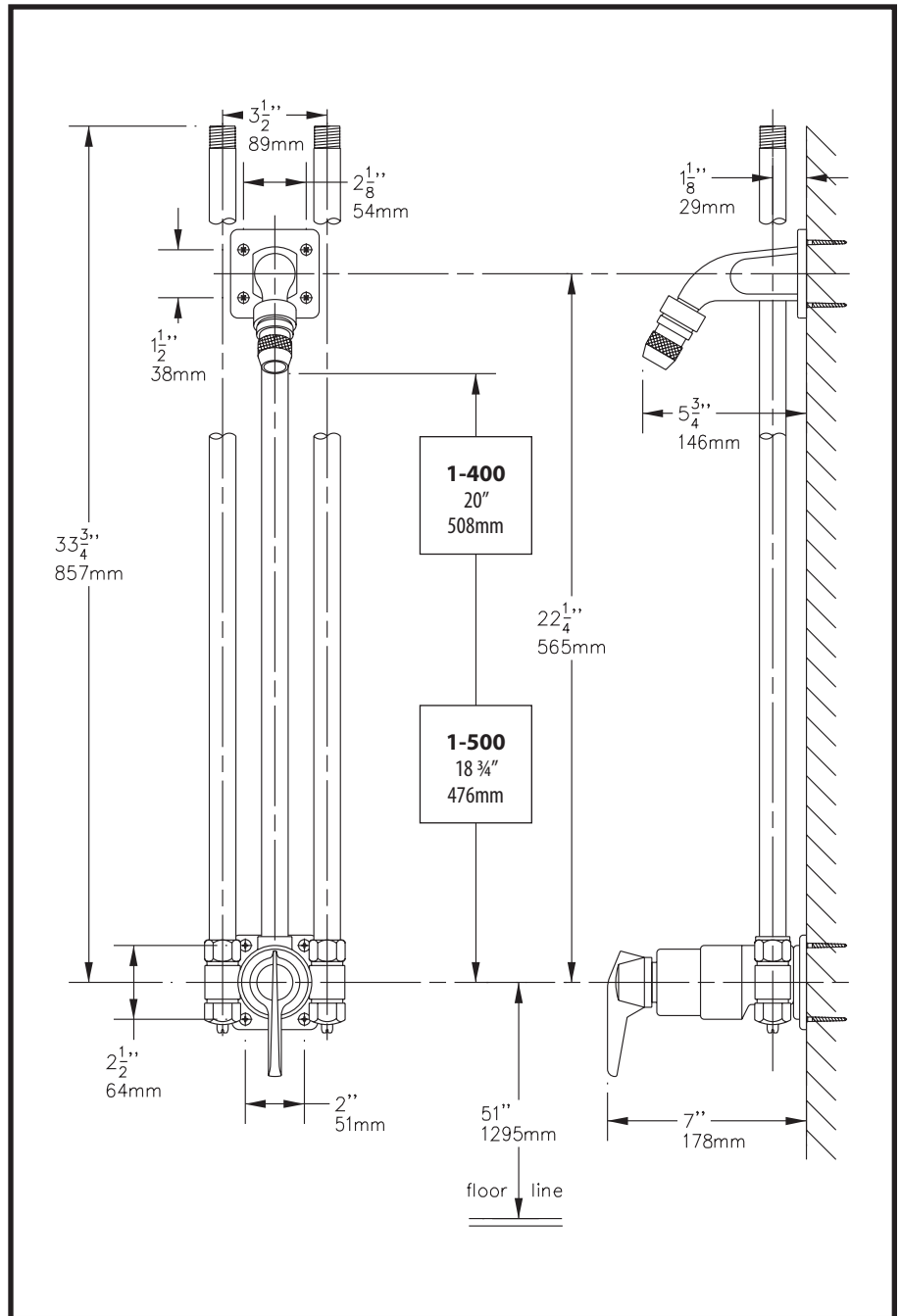
1-400 Series 1-500 Series

INSTALLATION INSTRUCTIONS

Product meets ANSI A112.18.1M
Flow rate: 2.5 gpm (9.5 L/min)

INSTALLATION:

1. Install riser into valve body and head bracket.
2. Install 32" risers to water supply and then attach union to risers and valve body.
3. Mount valve body and head bracket to the wall.



Recommended head heights

Men _____	6'0"
Boys, Senior High _____	5'10"
Boys, Junior High _____	5'7"
Boys, Elementary _____	5'4"
Women _____	5'8"
Girls, Senior High _____	5'8"
Girls, Junior High _____	5'5"
Girls, Elementary _____	4'2"

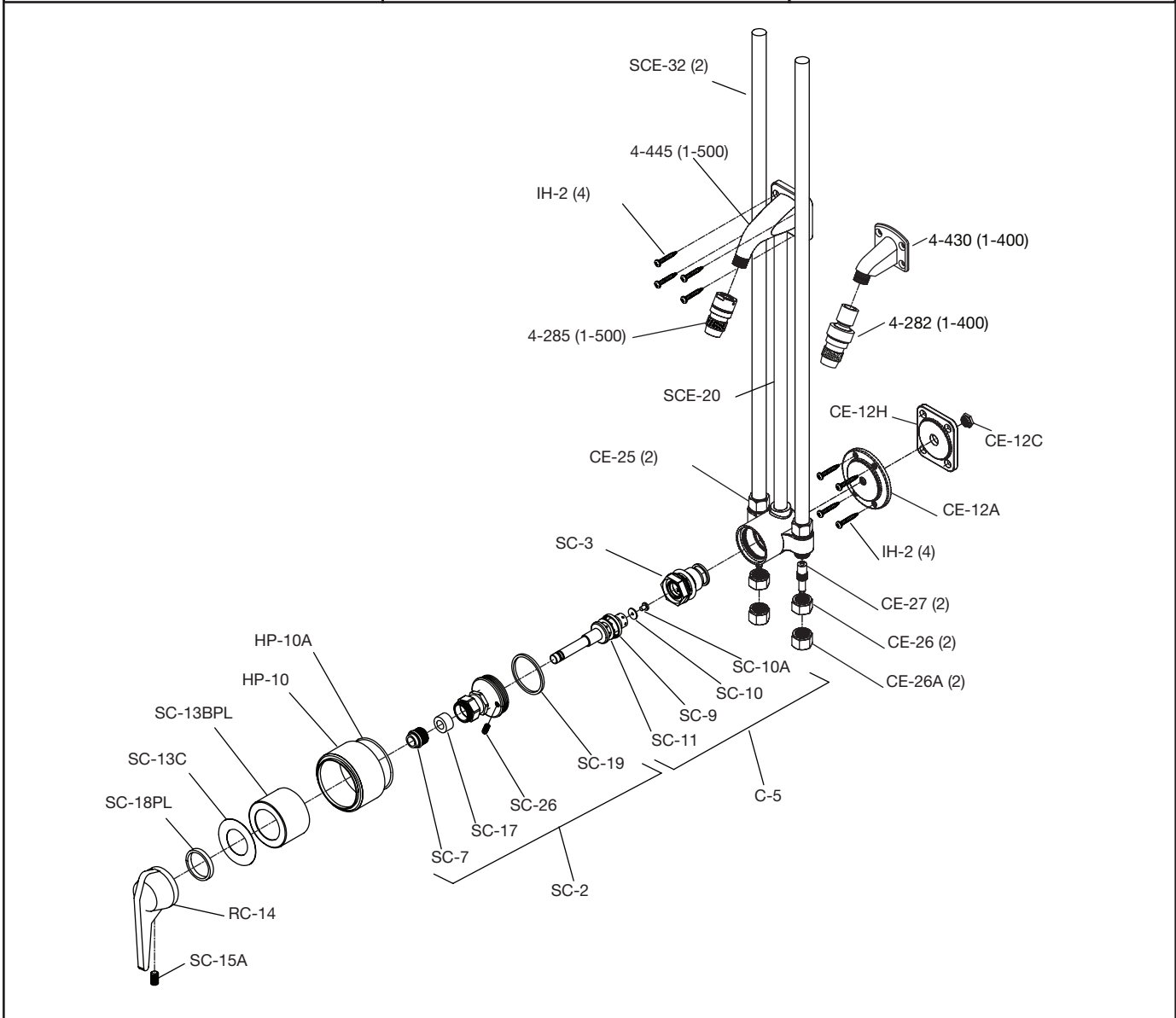


For ADA compliance (Americans with Disabilities Act) consult ADAAG or your state regulations for proper product choice and mounting heights. ADAAG does permit a fixed shower head mounted 48" above the floor in unmonitored facilities where vandalism may be a problem.

INDIVIDUAL PARTS		INDIVIDUAL PARTS		COMPOSITE PARTS	
CE-12A	Lightwall Flange	SC-3	Renewable seat	C-5	Spindle assembly
CE-12C	Wall Flange Nut	SC-7	Packing nut	C-50	Renewable seat socket wrench
CE-12H	Heavy Duty Wall Flange	SC-9	Cold washer retainer	KIT-B	Washer and gasket kit
CE-25	Stop body(chrome plated) (2)	SC-10	Hot washer	SC-2	Cap assembly
CE-26	Cap(chrome plated) (2)	SC-10A	Screws	SC-3	Renewable seat unit complete
CE-26A	Cap(chrome plated) (2)	SC-11	Cold washer		
CE-27	Spindle assembly (2)	SC-17	Packing		
IH-2	Woodscrew (4)	SC-19	Cap gasket		
HP-10	Body cover	SCE-20	20" riser pipe		
HP-10A	O-ring	SCE-32	32" riser pipe (2)		
RC-14	Handle	4-282	Fre-flo showerhead (1-400)		
SC-13BPL	Dome cover	4-285	Fre-flo showerhead, rigid (1-500)		
SC-13C	Dial	4-430	Short head bracket (1-400)		
SC-15A	Set screw	4-445	Extended head bracket (1-500)		
SC-18PL	Hot washer screw				

Tools required for installation:

Slotted screwdriver, Phillips screwdriver, soldering equipment, adjustable wrench, channel lock pliers, hex socket keys (1/8" and 3/32"), electric drill with 1/4" drill bit, HY-50 screwdriver (provided)



Symmons Industries, Inc. ■ 31 Brooks Drive ■ Braintree, MA 02184
 Phone: (800) 796-6667 ■ Fax: (800) 961-9621
 Website: www.symmons.com ■ Email: gethelp@symmons.com

©2007-2015 Symmons Industries, Inc. Printed in U.S.A. ■ ZV-493 REV A ■ 010815

