


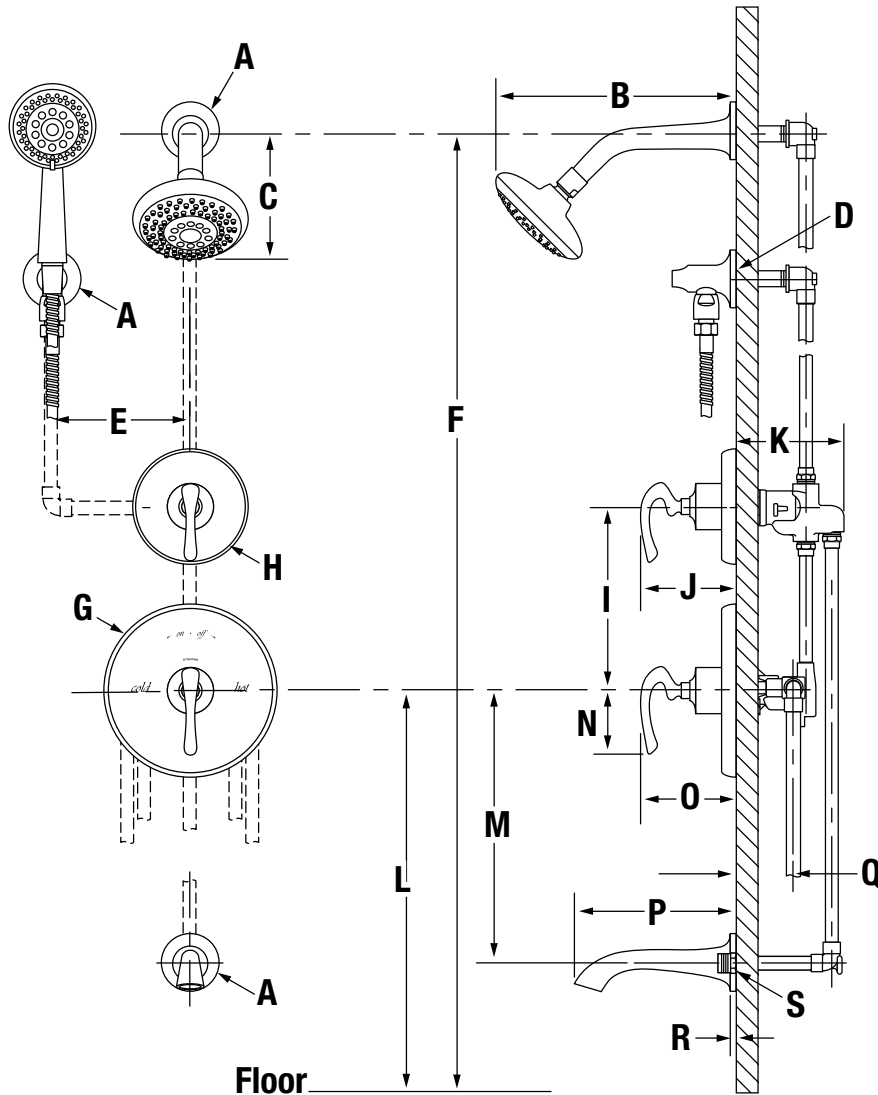


5203-TRM, 5205-TRM, 5206-TRM
 Ballina™ Trim Series
Operation & Maintenance Manual

Model Numbers	Specifications
<input type="checkbox"/> 5203-TRM <i>Valve Trim with Hand Shower</i> <input type="checkbox"/> 5205-TRM <i>Shower Trim with Hand Shower</i> <input type="checkbox"/> 5206-TRM <i>Tub/Shower Trim with Hand Shower</i>	<p>Tub/shower trim with hand shower and lever handle includes wall connection, cradle for hand shower mounting, in-line vacuum breaker, flexible metal hose, non-diverter tub spout, 3 mode hand shower and 3 mode showerhead with standard 2.5 gpm (9.5 L/min) flow restrictor. Shower trim with hand shower and lever handle includes all of the above less non-diverter tub spout. Valve trim with hand shower and lever handle includes all of the above less non-diverter tub spout and 3 mode showerhead. Components made from metal and nonmetallic materials plated in standard polished chrome finish.</p>
Modifications	Compliance
<input type="checkbox"/> -1.5  <i>1.5 gpm (5.7 L/min) flow restrictor</i> <input type="checkbox"/> -2.0  <i>2.0 gpm (7.6 L/min) flow restrictor</i> <input type="checkbox"/> -412HSB <i>30" slide bar in place of wall cradle on hand shower units</i> <input type="checkbox"/> -BBZ <i>Brushed bronze finish</i> <input type="checkbox"/> -STN <i>Satin nickel finish</i>	<p>-ASME A112.18.1/CSA B125.1</p>  <hr/> <p>Warranty</p> <p>Limited Lifetime - to the original end purchaser in consumer installations. 5 Years - for commercial installations.</p> <p>Refer to www.symmons.com/warranty for complete warranty information.</p>

Note: Append appropriate -suffix to model number.

Dimensions

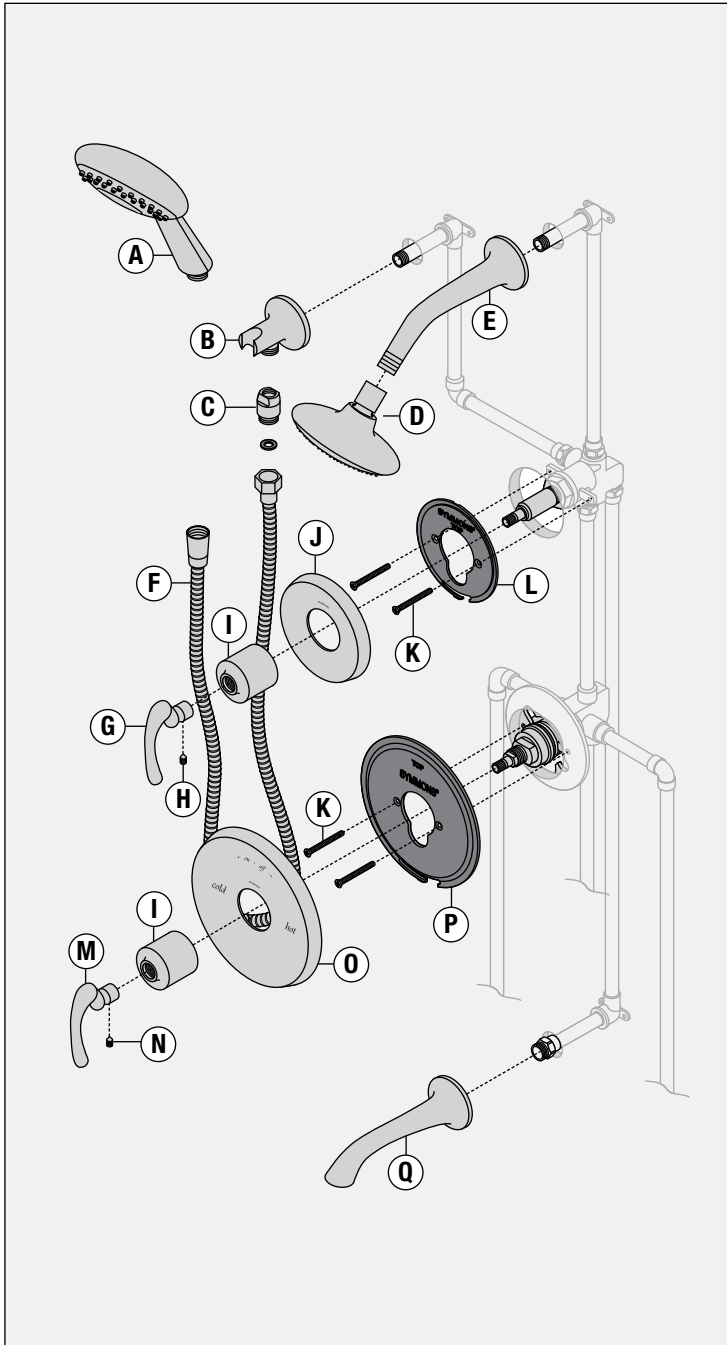


Measurements	
A	Ø 2 1/2", 64 mm
B	10 5/8", 268 mm
C	5 1/4", 132 mm
D	1/2" IPS thread must protrude 1/2" from finished wall
E	6", 152 mm right or left
F	77", 1956 mm
G	Ø 7 1/2", 191 mm
H	Ø 5", 127 mm
I	8", 203 mm
J	3 3/4", 95 mm
K	4 3/4", 121 mm (5206-TRM) 4 7/8", 124 mm (5205-TRM)
L	32", 813 mm (5206) 45", 1143 mm (5203, 5205)
M	12", 305 mm
N	3", 76 mm
O	4 1/8", 105 mm
P	7", 178 mm
Q	(Rough in) 2 3/8" ± 1/2", 60 mm ± 13 mm
R	1/2", 13 mm
S	1/2" NPT

Notes:

- 1) All dimensions measured from nominal rough-in (see Q as reference).
- 2) Dimensions are subject to change without notice.

Parts Breakdown




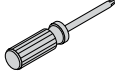


Replacement Parts

Item	Description	Part Number
A	Hand Shower	412W
B	Cradle	T-635
C	Vacuum Breaker	EF-104
F	60" Hose	
D	Showerhead	412SH
E	Shower Arm	T-637
G	Diverter Handle	T-629
H	Set Screw	
I	Dome Cover	T-633
J	Diverter Escutcheon	T-634-NS-K001
K	Mounting Screws	
L	Mounting Plate	
M	Shower Handle	T-660
N	Set Screw	
K	Mounting Screws	T-631-NS-K001
O	Shower Escutcheon	
P	Mounting Plate	
Q	Tub Spout	522TS

Notes:

- 1) Append -STN to part number for satin nickel finish, -BBZ for brushed bronze.
- 2) Append -1.5 or -2.0 to showerhead or hand shower for low flow.

Required for Installation

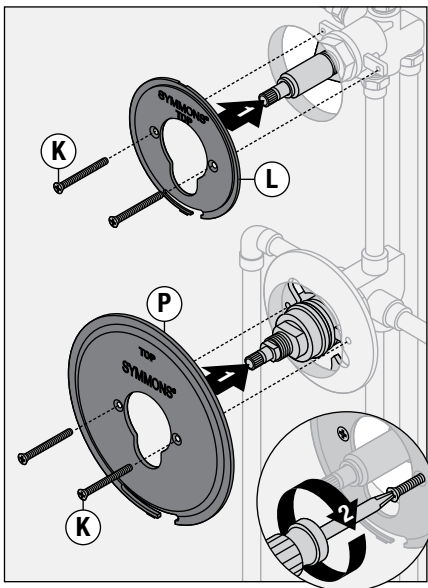
Adjustable wrench	
Phillips head screwdriver	
Allen wrench (1/8")	
Plumber tape	

Installation

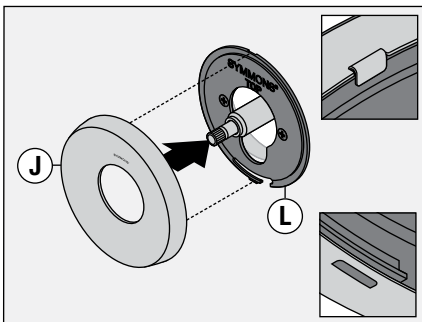
Note:

For valve body installation, please see valve body installation guides.

- 1) Install small plastic mounting plate (L) to diverter valve (5206 diverter valve = 4-460E-BODY, 5205 diverter valve = 4-458E-BODY) and large plastic mounting plate (P) to shower valve (4000-BODY). Secure each with two screws (K).

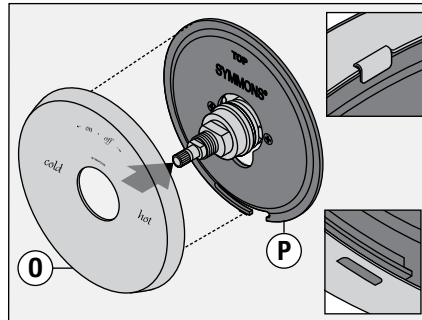


- 2) Attach diverter escutcheon (J) to small plastic mounting plate (L).



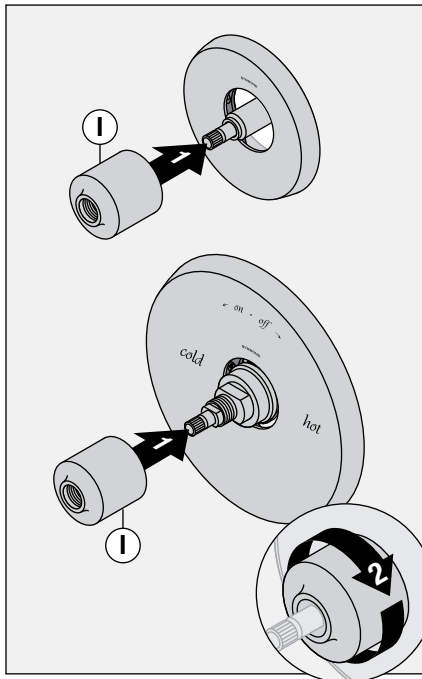
Note: Tabs should snap into place.

- 3) Attach shower escutcheon (O) to large plastic mounting plate (P).

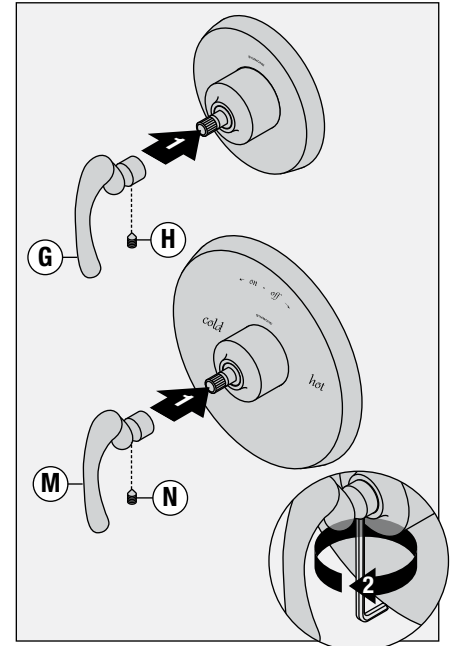


Note: Tabs should snap into place.

- 4) Install dome covers (I) to valves by turning clockwise.

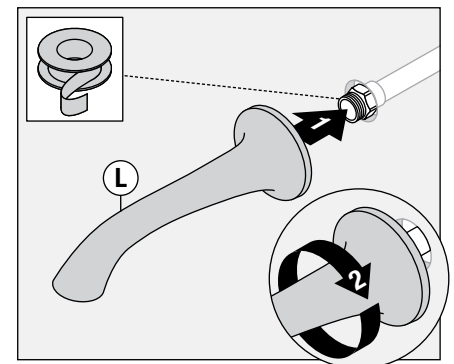


- 5) Install diverter handle (5205 and 5206 only) (G) and shower handle (M) to valves. Secure handles by tightening set screws (H) and (N).



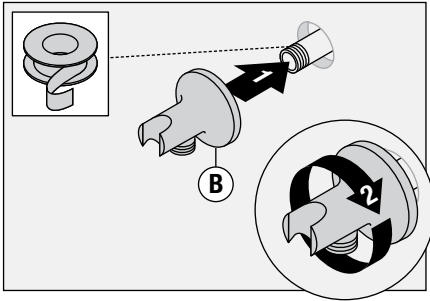
Note: Handles should be facing the 6 o'clock position.

- 6) Install tub spout (Q) to pipe fitting. Turn clockwise to secure.

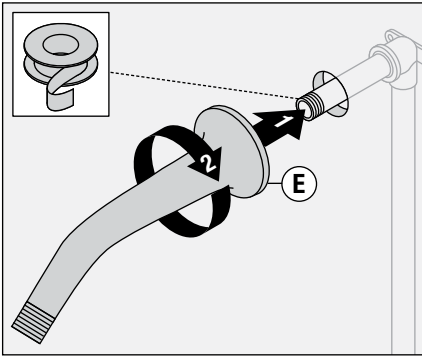


Installation

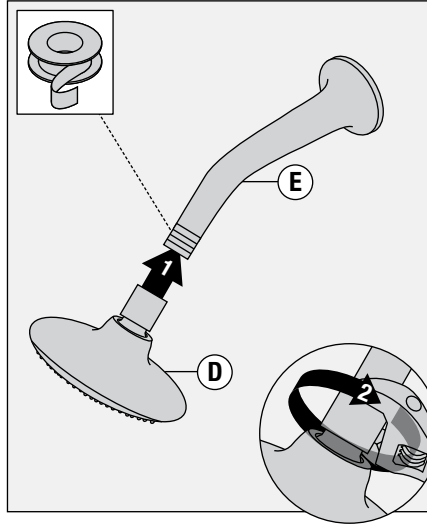
- 7) Install cradle (B) to pipe fitting.
Turn clockwise to tighten.



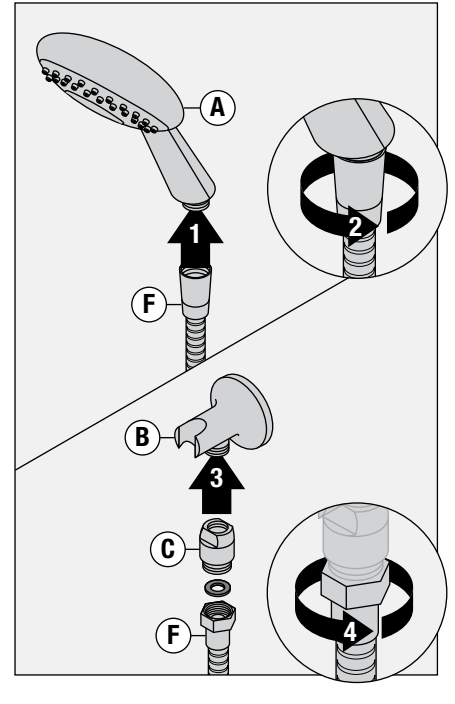
- 8) Attach shower arm (E) to vertical shower pipe.
Turn clockwise to tighten.



- 9) Install showerhead (D) to shower arm (E).
Turn clockwise to tighten.



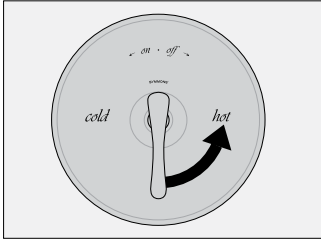
- 10) Attach large end of hand shower hose (F) to hand shower (A). Attach small end of hand shower hose (F) and gasket to in-line vacuum breaker (C). Connect in-line vacuum breaker to cradle (B).
Turn clockwise to tighten.



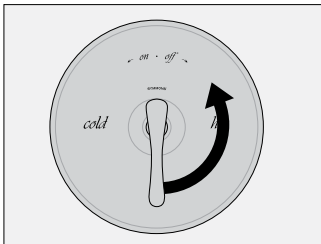
Operation

Temperature Control

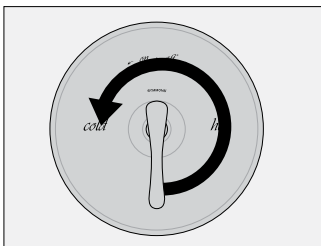
- 1) Turn shower handle counterclockwise approximately 1/4 turn to put valve in cold position.



- 2) Turn shower handle counterclockwise approximately 1/2 turn to put valve in warm position.

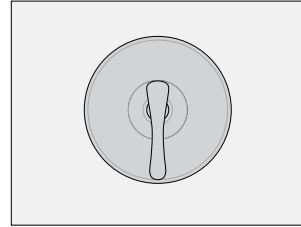


- 3) Turn shower handle counterclockwise approximately 3/4 turn to put valve in hot position.



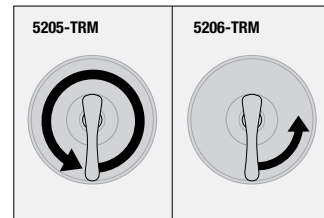
Diverter Control

- 1) Diverter handle facing straight down is for diverter function 1.

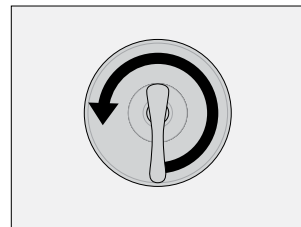


- 2) **5203-TRM & 5205-TRM:** Turn diverter handle counterclockwise one full revolution for diverter function 2.

5206-TRM: Turn diverter handle counterclockwise 1/4 turn for diverter function 2.



- 3) **5206-TRM:** Turn diverter handle counterclockwise 3/4 turn for diverter function 3.



Care and Cleaning

- 1) Clean finished trim area with a soft cloth using mild soap and water or a non-abrasive cleaner and then quickly rinse with water.

Troubleshooting Chart

Problem	Cause	Solution
Finish is spotting.	Elements in water supply may cause water staining on finish.	Clean finished trim area with a soft cloth using mild soap and water or a non-abrasive cleaner and then quickly rinse with water.