

Location:



# Rain Showerhead 402SH1 Specification Submittal

## Feature Highlights

- Rain showerhead, 12 inch
- Standard flow rate is 2.5 gpm (9.5 L/min)
- Metal construction, polished chrome finish

## Model Numbers

- 402SH1 Rain showerhead

## Options / Modifications

*Append appropriate -suffix to model number.*

- 2.0 2.0 (7.6 L/min) Flow rate restrictor
- CA8 Rain showerhead with 8 inch overhead arm
- A18 Rain showerhead with 18 inch wall mount arm

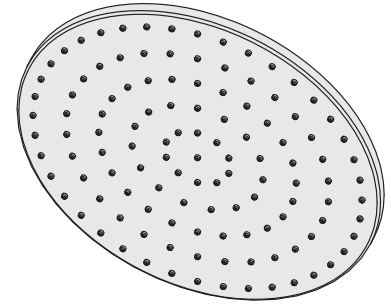
## Finish Options / Modifications

*Append appropriate -suffix to model number.*

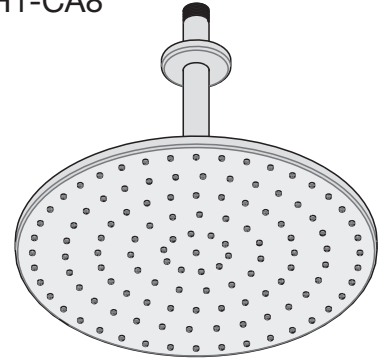
- STN Satin nickel finish
  - Polished chrome finish (standard finish)

## Standards / Certifications

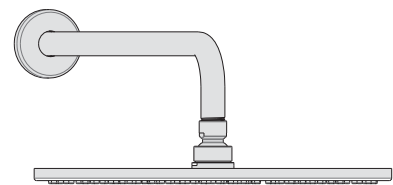
ASME A112.18.1-2005/CSA B125.1-05



## Rain Showerhead with 8 inch overhead arm Model 402SH1-CA8



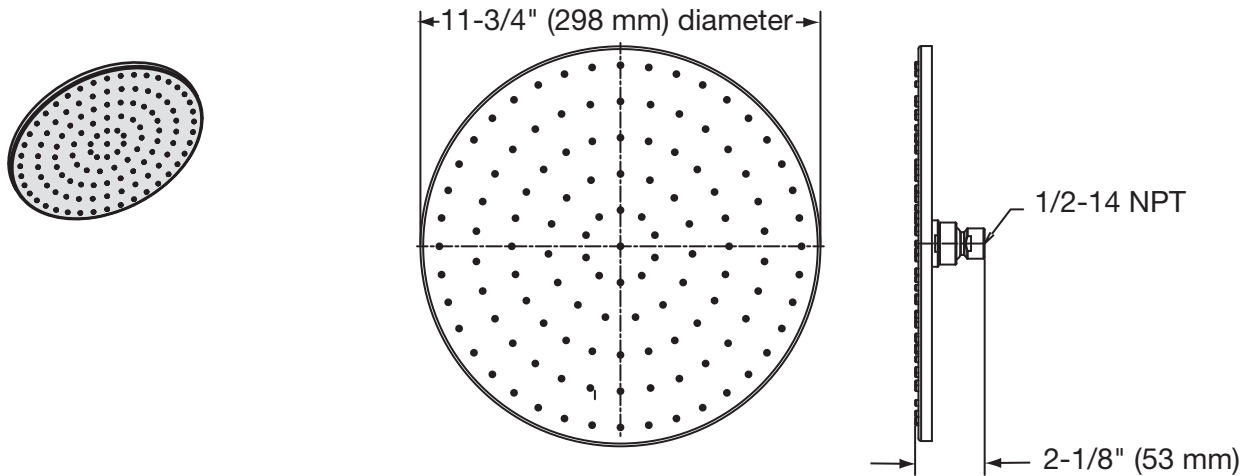
## Rain Showerhead with 18 inch wall mount arm Model 402SH1-A18



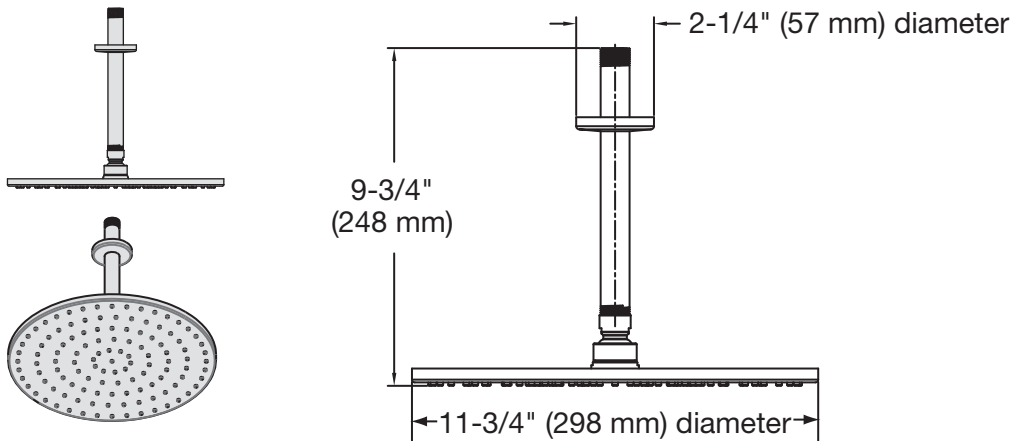
## Warranty

- Limited Lifetime - to the original end purchaser in consumer installations.
- 5 years - for commercial installations

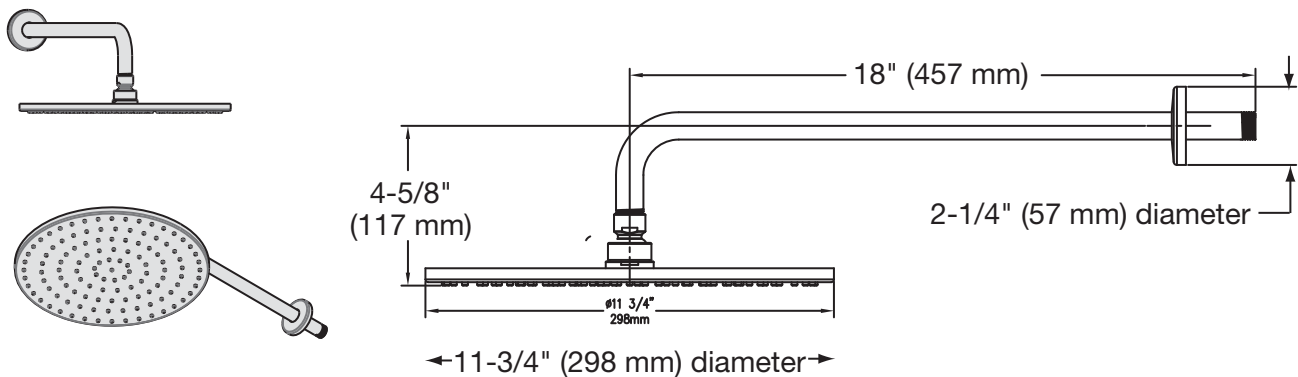
## Dimensions *Rain Showerhead, 402SH1*



## Dimensions *Rain Showerhead and overhead arm, 402SH1-CA8*



## Dimensions *Rain Showerhead and wall mount arm, 402SH1-A18*



**Note:** Dimensions subject to change without notice.