








SYMMONS[®] Identity[™]

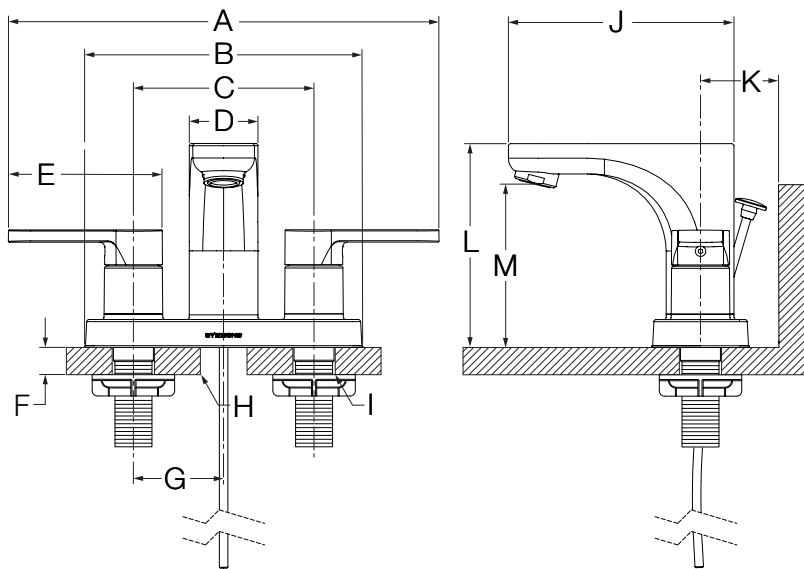
the smart choice[™]

SLC-6710-1.5, SLC-6712-1.5 Two Handle Centerset Lavatory Faucet Specification Submittal



Model Numbers	Specification
<ul style="list-style-type: none"> <input type="checkbox"/> SLC-6710-1.5 <i>Two Handle Centerset Lavatory Faucet</i> <input type="checkbox"/> SLC-6712-1.5 <i>Two Handle Centerset Lavatory Faucet with lift rod and 50/50 pop-up drain assembly</i> 	<p>Two handle centerset lavatory faucet features 4" mount, ceramic cartridges, 1/2" IPS inlet connections, 50/50 pop-up drain assembly and standard 1.5 gpm (5.7 L/min) aerator. Faucet constructed from brass, plated in standard polished chrome finish.</p>
Compliance -ASME A112.18.1/CSA B125.1 -NSF/ANSI 61.9, NSF/ANSI 376 -WaterSense 1.5 gpm (5.7 L/min)	 Modifications <ul style="list-style-type: none"> <input type="checkbox"/> -0.5  0.5 gpm (1.9 L/min) aerator <input type="checkbox"/> -1.0  1.0 gpm (3.8 L/min) aerator <input type="checkbox"/> -Delete Suffix 1.5 2.2 gpm (8.3 L/min) aerator <input type="checkbox"/> -MP Metal pop-up drain in place of standard <input type="checkbox"/> -STN Satin Nickel finish <input type="checkbox"/> -VP Vandal resistant aerator (2.2 gpm - 8.3 L/min) <p>Note: Append appropriate -suffix to model number.</p>
Warranty Limited Lifetime - to the original end purchaser in consumer/residential installations. 5 Years - for industrial/commercial installations. Refer to www.symmons.com/warranty for complete warranty information.	 

Dimensions



Measurements	
A	9-1/2", 241 mm
B	6-1/8", 156 mm
C	4", 102 mm
D	1-1/2", 38 mm
E	(2x) 3-3/8", 86 mm
F	Deck Thickness Ref. Min. 3/4", 19 mm Max. 1-1/2", 38 mm
G	(2x) 2", 51 mm
H	Hole Size Min. Ø 1-1/4", 32 mm Max. Ø 1-3/8", 35 mm
I	(2x) Hole Size Min. Ø 1-1/8", 29 mm Max. Ø 1-1/4", 32 mm
J	5", 127 mm
K	Min. 2-1/4", 57 mm
L	4-1/2", 114 mm
M	3-5/8", 92 mm

Note: Dimensions subject to change without notice.