


Location:

SYMMONS® Ballina™

Shower System S-5201 Specification Submittal



Feature Highlights

- Symmons shower system with lever handles.
- Symmons Temptrol® pressure balancing mixing valve with adjustable stop screw to limit handle turn.
- Secondary integral volume control handle
- Three mode shower head with arm and flange
- Stand flow rate is 2.5 gpm (9.5 L/min)
Optional lower flow rate restrictor available 
- Polished chrome finish





Model Numbers

- S-5201..... Shower System with Symmons Temptrol® pressure balancing mixing valve, p/n S-4001-BODY
- S-5201-TRM..... Trim only, valve must be ordered separately
- S-4001-BODY..... Symmons Temptrol® pressure balancing mixing valve without trim
- S-4001-X-BODY. Symmons Temptrol® pressure balancing mixing valve without trim. Valve includes integral service stops to allow water shut-off for service.

Options / Modifications

Append appropriate -suffix to model number.

- IPS 1/2 inch female IPS connections on Symmons Temptrol® mixing valve
- X Symmons Temptrol® pressure balancing mixing valve includes integral service stops to allow water shut-off for service, p/n S-4001-X-BODY. (Option only applies when ordering model S-5201.)
-  -2.0 2.0 (7.6 L/min) Flow rate restrictor
-  1.5 1.5 (5.7 L/min) Flow rate restrictor

Standards / Certifications

ASME A112.18.1-2005/CSA B125.1-05

Finish Options / Modifications

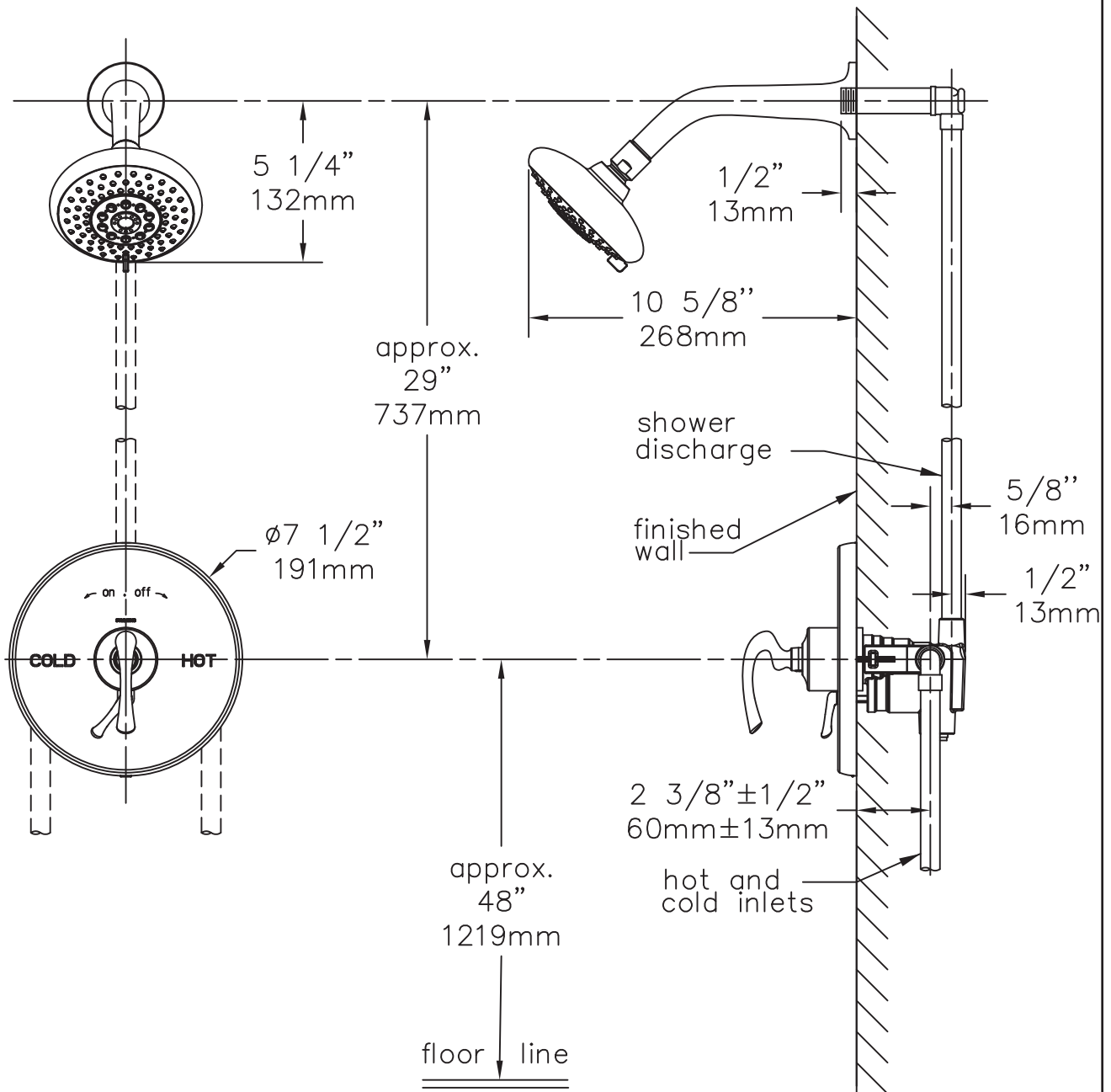
Append appropriate -suffix to model number.

- STN Satin nickel
- BBZ Brushed Bronze
- Polished chrome (standard)

Warranty

- Limited Lifetime - to the original end purchaser in consumer installations.
- 5 years - for commercial installations

Dimensions *Ballina Shower System, S-5201*



Note: *Dimensions subject to change without notice.*