



Location:

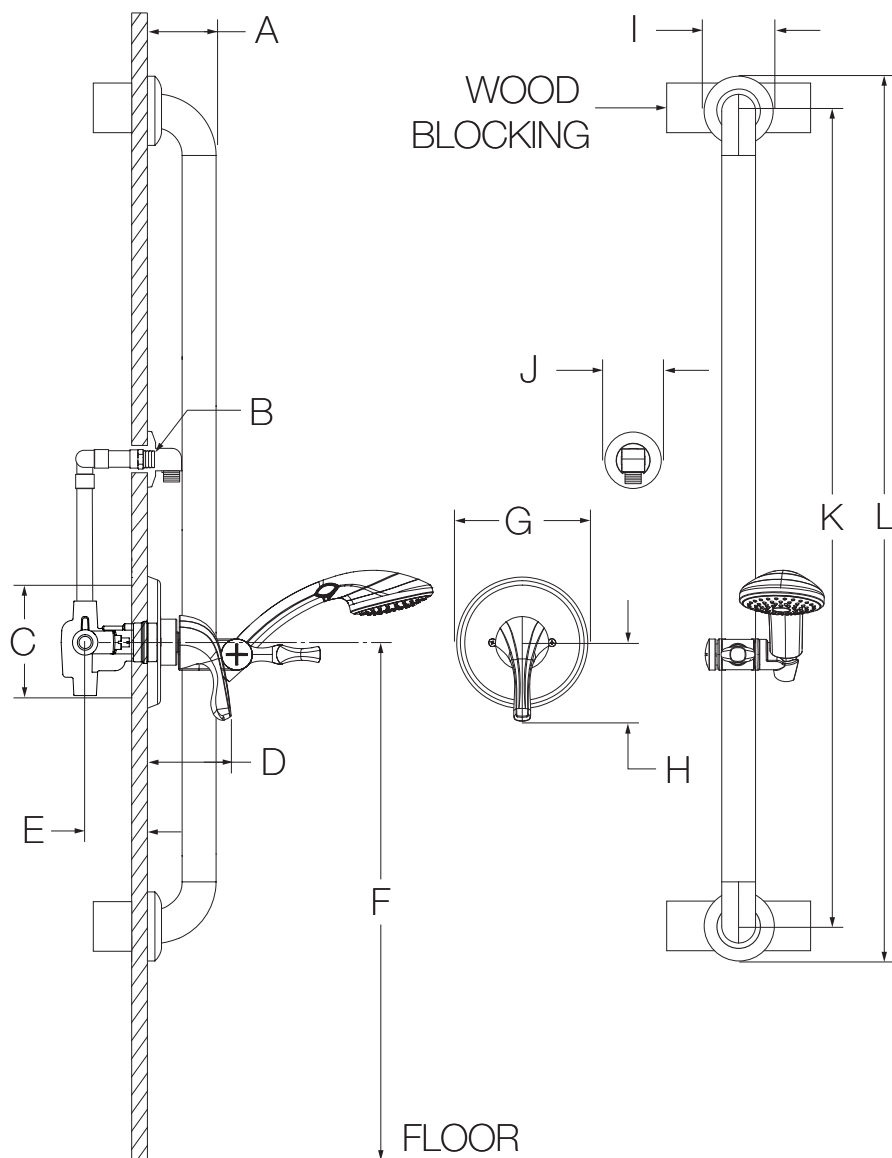


**9603-PLR-PL-1.5-TRM**  
**Specification Submittal**

<b>Model Number</b>	<b>Specification</b>
<p><input type="checkbox"/> <b>9603-PLR-PL-1.5-TRM</b> <i>Origins Hand Shower Trim</i></p>	<p>Hand shower trim features 36" slide bar, dual checks for back flow protection, 60" flexible metal hose, ADA hand shower and 1.5 gpm (5.7 L/min) flow restrictor. Components shall be metal and nonmetallic materials plated in standard polished chrome finish.</p> <p>Trim includes TA-10 flow control spindle and T-12A cap assembly for Temptrol valve body.</p>
<b>Modifications</b>	<b>Compliance</b>
<p><input type="checkbox"/> <b>Delete Suffix 1.5</b>      <i>2.5 gpm (9.5 L/min) flow restrictor</i></p> <p><input type="checkbox"/> <b>-2.0</b>            <i>2.0 gpm (7.6 L/min) flow restrictor</i></p> <p><input type="checkbox"/> <b>-B30</b>            <i>30" adjusting bar in place of standard 36" bar</i></p> <p><input type="checkbox"/> <b>-STN</b>            <i>Satin Nickel finish</i></p>	<p>-ASME A112.18.1/CSA B125.1 -WaterSense 1.5 gpm (5.7 L/min)    2.0 gpm (7.6 L/min)</p> <p> </p> <p><u>For California Residents</u> <b>WARNING:</b> This product contains chemicals known to the State of California to cause cancer, birth defects, or other reproductive harm.</p>
	<p><b>Warranty</b></p> <p><b>Limited Lifetime</b> - to the original end purchaser in consumer/residential installations. <b>5 Years</b> - for industrial/commercial installations. Refer to <a href="http://www.symmons.com/warranty">www.symmons.com/warranty</a> for complete warranty information.</p>

**Note:** Append appropriate -suffix to model number.

## Dimensions



Measurements	
A	3", 76 mm
B	Male 1/2" NPT fitting must protrude 3/8" from finished wall
C	Shower Valve Hole Size Min. Ø 3", 76 mm Max. Ø 4", 102 mm
D	3-5/8", 92 mm
E	Rough-in 2-3/8" ± 1/2", 60 mm ± 13 mm
F	Ref. 42", 1067 mm
G	Ø 5-3/4", 146 mm
H	3-3/8", 86 mm
I	Ø 2-1/2", 64 mm
J	Ø 2-1/2", 64 mm
K	36", 914 mm
L	39", 991 mm

### Notes:

- 1) All dimensions measured from nominal rough-in (see E as reference).
- 2) Dimensions subject to change without notice.