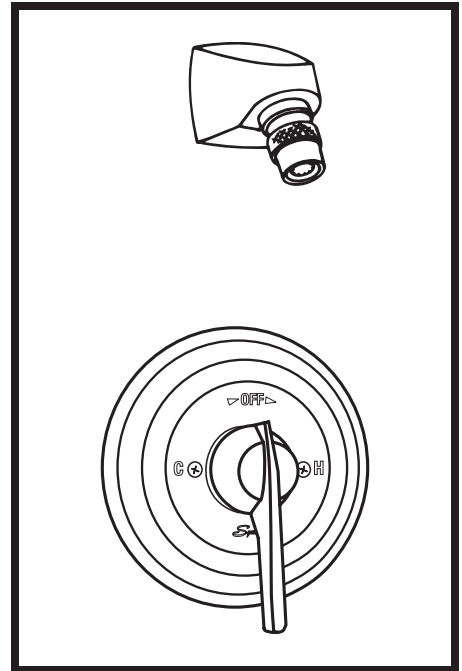


# C-96-1-295-X Temptrol® Shower System

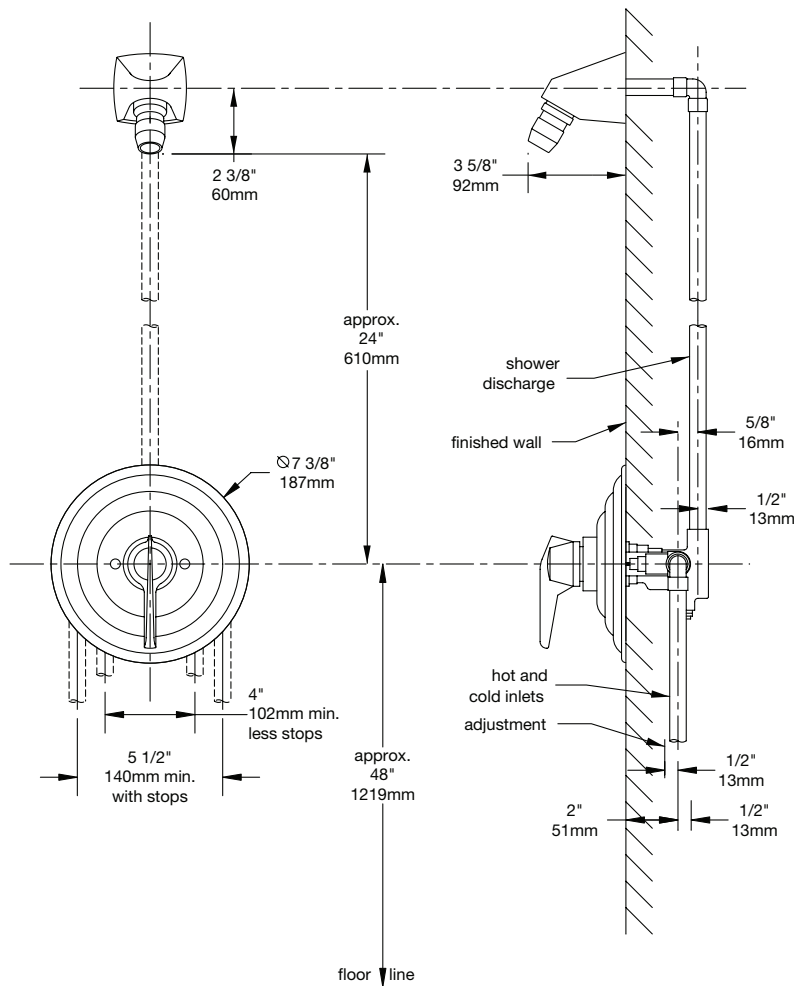
Temptrol Commercial Series Pressure-Balancing mixing valve with lever handle, integral service stops and adjustable stop screw to limit handle turn. Fre-Flo shower head with adjustable spray.

## Modifications:

- Suffix IPS:** 1/2" female IPS connections
- Suffix REV:** Reverse coring, hot on right, cold on left, for back to back installations
- Suffix A:** Anchor plate to simplify mounting of Fre-Flo, Senior, and Universal shower heads on ceramic tile
- Suffix BB:** Back plate and thru bolts for Fre-Flo, Senior, and Universal shower heads to accommodate extra thick wall up to 6" (Specify dimension for thicker wall)
- Suffix VP:** Vandal resistant screws for valve and showerhead
- Suffix 2.0:** Flow rate 2.0 gpm (7.6 L/min)



**SYMMONS PRODUCTS MEET  
ANSI A112.18.1M, EPA '92  
AND ALL KNOWN FLOW RATE  
REQUIREMENTS.  
Shower Heads and Hand Showers  
2.5 GPM (9.5 L/min)**



### Job/Location

.....  
.....

### Engineer

.....  
.....

### Contractor

.....  
.....

This drawing to be used for rough-in installation only. All floor to center dimensions optional. Concealed piping and fittings not furnished by manufacturer. For ADA compliance (Americans with Disabilities Act) consult ADAAG or your state regulations for proper product choice and mounting locations. For complete installation, adjustment and service information see installation instructions.

Symmons Industries, Inc. ■ 31 Brooks Drive ■ Braintree, MA 02184  
(800) 796-6667, (781) 848-2250 ■ Fax (800) 961-9621, (781) 843-3849  
Website: [www.symmons.com](http://www.symmons.com) ■ Email: [customerservice@symmons.com](mailto:customerservice@symmons.com)

