



Location:



Rain Showerhead, 4-163

Specification Submittal

Model Numbers

- 4-163 4" Rain Showerhead

Options / Modifications

Append appropriate -suffix to model number.

- CG** -1.5 1.5 (5.7 L/min) flow rate restrictor
- 2.0 2.0 (7.6 L/min) flow rate restrictor

Finish Options / Modifications

Append appropriate -suffix to model number.

- STN Satin nickel
- Polished chrome finish (standard)

Feature Highlights

- Single mode, ball joint connection
- 4" diameter
- Standard flow rate is 2.5 gpm (9.5 L/min)
Optional lower flow rate restrictor available
- Polished Chrome finish (standard)

Standards / Certifications

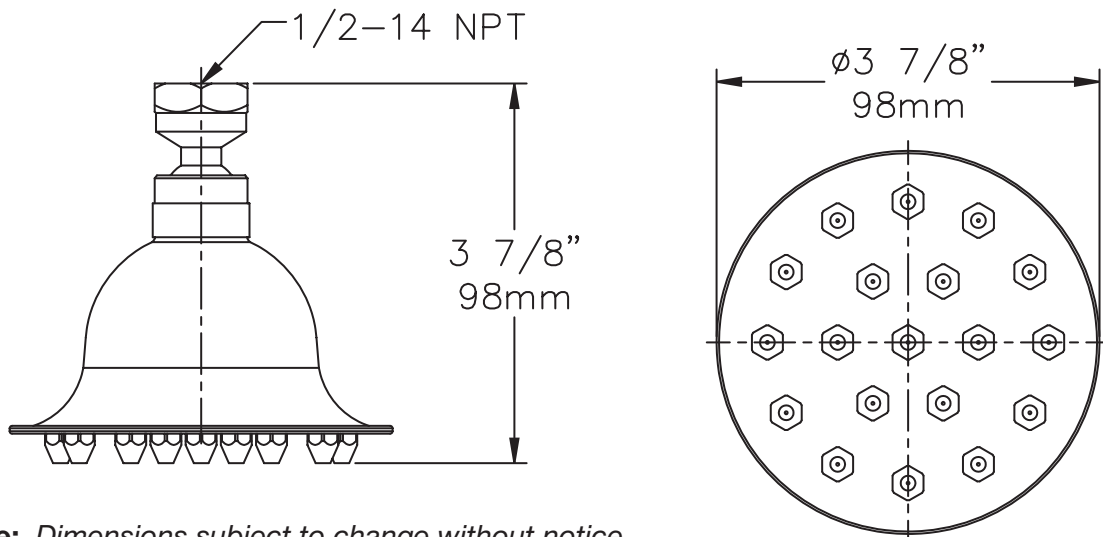
ASME A112.18.1/CSA B125.1
WaterSense 1.5 gpm (5.7 L/min)



Warranty

- **Limited Lifetime** - to the original end purchaser in residential / consumer installations.
- **5 years** - for commercial installations

Dimensions Rain Showerhead, 4-163



Note: Dimensions subject to change without notice.