

Location:

SYMMONS® Elm™

Widespread Lavatory Faucet SLW-5512 Specification Submittal



Model Numbers

- SLW-5512 Widespread Lavatory Faucet with pop-up drain assembly, p/n LN-01643

Options / Modifications

Append appropriate -suffix to model number

- 0.5 0.5 gpm (1.9 L/min) flow rate restrictor
- 1.0 1.0 gpm (3.8 L/min) flow rate restrictor
- 1.5 1.5 gpm (7.6 L/min) flow rate restrictor

Finish Options / Modifications

Append appropriate -suffix to model number

- STN Satin Nickel
- SBZ Seasoned Bronze
- Polished Chrome (standard finish)

Feature Highlights

- Widespread lavatory faucet with lever handles
- Commercial grade 1/4 turn ceramic disc valve cartridge for drip free performance
- Pop-up drain and lift rod assembly
- 8 - 16 inch centers for mounting with braided supply hoses
- Aerator with standard 2.2 gpm flow rate (8.3 L/min)
Optional aerator available in lower flow rates
- Polished chrome finish (standard)

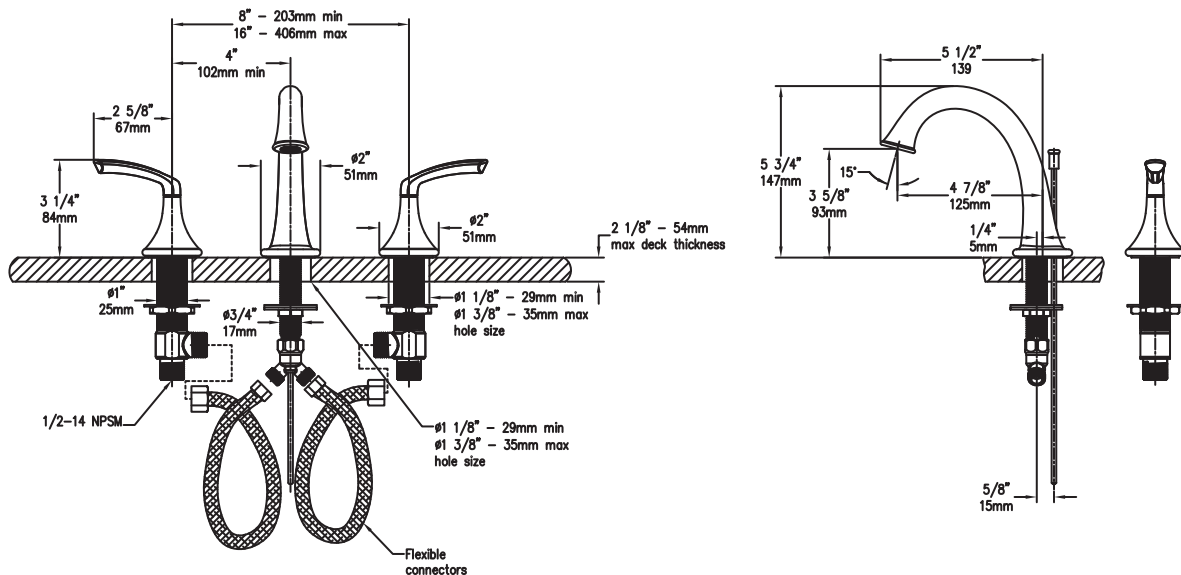
Standards / Certifications

- ASME A112.18.1; CSA B125.1
- Low lead compliant, AB1953/S.152/S.3874
- NSF 61.9, NSF 372
- WaterSense 1.5 gpm (5.7 L/min), 1.0 gpm (3.8 L/min)

Warranty

- Limited Lifetime - to the original end purchaser in residential/consumer installations.
- 5 years - for commercial installations

Dimensions Elm Widespread Lavatory Faucet, SLW-5512



Symmons Industries, Inc. ■ 31 Brooks Drive ■ Braintree, MA 02184 ■ Phone: (800)796-6667 ■ Fax: (800)961-9621

©2012-2014 Symmons Industries, Inc. ■ www.symmons.com ■ gethelp@symmons.com ■ Model SLW-5512 ■ p/n LN-01643 ■ 102214