

Location:

# SYMMONS® Ultra-Sense™

## Sensor Activated Lavatory Faucet S-6080 Series Specification Submittal



Model S-6080  
with 4 inch deck plate



### Model Numbers

- S-6080.....Faucet with 6V lithium battery power pack, faucet p/n SF-244
- S-6080-AC-12V.....Faucet with AC wall plug-in transformer, faucet p/n SF-235
- S-6080-ACM-12V...Faucet for use in multi-faucet applications, faucet p/n SF-235  
Requires 12 VDC power supply, model S-6240-12V purchased separately

### Options / Modifications

Append appropriate -suffix to model number

- G Grid strainer drain
- OFG Offset grid strainer drain
- 0.35 0.35 gpm (1.3 L/min) vandal resistant non-aerated spray
- 0.5 0.5 gpm (1.9 L/min) vandal resistant non-aerated spray
- NA 1.5 gpm (5.7 L/min) vandal resistant laminar flow non-aerated outlet restrictor
- DP 8 inch adapter plate
- LST 18 inch copper supply tube and adapter (instead of 20 inch braided hose)
- 20 20 foot (6096 mm) power supply cord in place of standard 10 foot (3048 mm) cord (Model S-6080-ACM-12V only)

### Water Supply Configurations

- HOT & COLD supply with lever handle water temperature adjustment (factory standard)
- HOT & COLD supply with pre-set tempered water (field configured)
- COLD single supply or single supply with premixed tempered water (field configured)

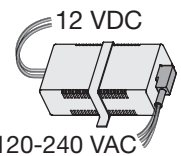
### Warranty

- Limited Lifetime - to the original end purchaser in residential / consumer installations
- 5 years - for commercial installations

### Feature Highlights

- Sensor Activated Lavatory Faucet with infrared Position Sensitive Detection (PSD) system
  - Electronic components, including battery in S-6080 model, are sealed and housed above deck in cast brass body for maximum vandal resistance
  - 10 second factory set cycle time with automatic shut-off
  - Single hole and 3 hole mounting hardware with 4 inch centered deck plate
  - Aerator is vandal resistant; 1.5 gpm (5.7 L/min) flow rate
  - Temperature limit stop to set maximum outlet temperature
  - Water supply in-line strainer / adapter
  - 20 inch braided supply hose or optional 18 inch copper supply tube (-LST)
  - Chrome plated brass (standard finish)
  - **Model S-6080** Includes internal 6 volt lithium battery, typical battery life is 3 years at 210 cycles per day
  - **Model S-6080-AC-12V** Includes AC wall plug-in transformer with 72 inch (1829 mm) power cord (120 VAC / 12 VDC, class II, UL listed for US/C) Faucet power specification: 12 VDC ±5% @ 200 ma, <100 mVpp
  - **Model S-6080-ACM-12V** Includes 10 foot (3048 mm) 12 VDC power supply cord. Model used with multi-faucet power supply and electrical termination enclosure. Faucet power specification: 12 VDC ±5% @ 200 ma, <100 mVpp
- The following items are available and purchased separately

**S-6240-12V** Universal 120 - 240 VAC power supply with 12 VDC output, Supports up to eight (8) faucets  
(reference S-6240-12V Specification Submittal for product details)



Note: Using a non-Symmons power supply will void warranty

**S-6244** Standard Electrical Termination Enclosure for 12 VDC @ 3.33 amps, box size: 6”H (152 mm) x 10”W (254 mm) x 4”D (102 mm)  
(reference S-6244 Specification Submittal for product details)



Also available at local electrical supply

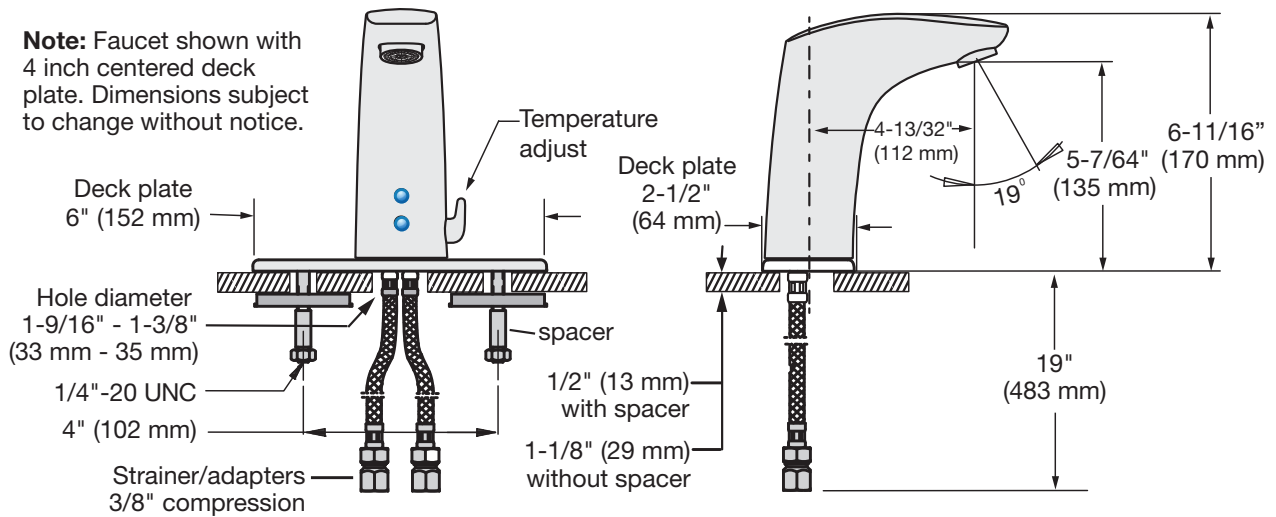
### Standards / Certifications

ASME A112.18.1/CSA B125.1  
AB1953 low lead

# Dimensions Ultra-Sense Lavatory Faucet, S-6080, S-6080-AC-12V / ACM-12V

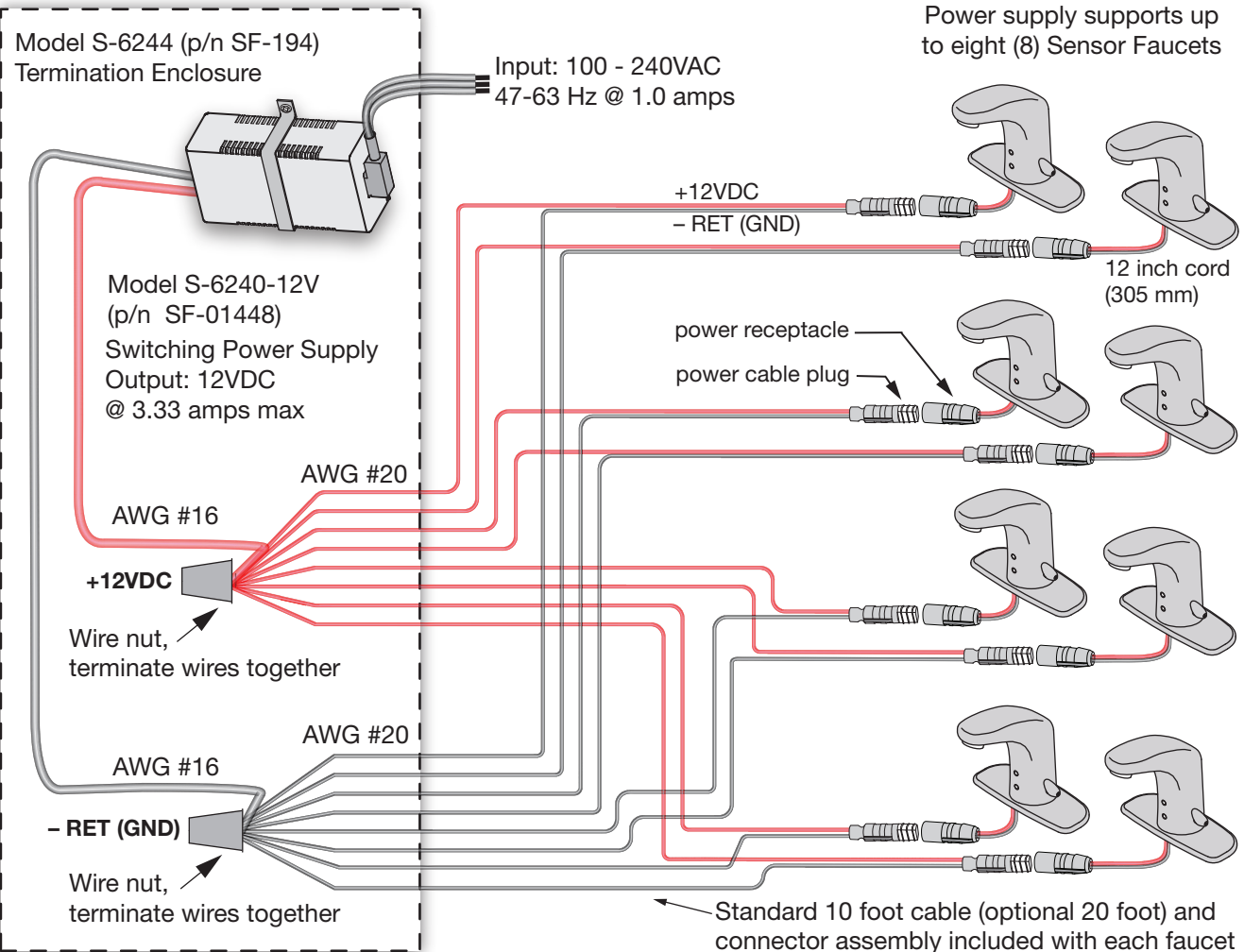
Model S-6080, p/n SF-244 ■ Model S-6080-AC-12V / ACM-12V, p/n SF-235

**Note:** Faucet shown with 4 inch centered deck plate. Dimensions subject to change without notice.



## Visual Guide Multi-Faucet Configuration with S-6240-12V Power Supply

Power supply supports up to eight (8) Sensor Faucets



Symmons Industries, Inc. 31 Brooks Drive ■ Braintree, MA 02184 ■ Phone: (800)796-6667 ■ Fax: (800)961-9621

Copyright © 2015 Symmons Industries, Inc. Printed in U.S.A. ■ www.symmons.com ■ gethelp@symmons.com ■ ZV-1496 REV A  
Model S-6080, Part Number SF-244 ■ Models S-6080-AC-12V / S-6080-ACM-12V, Part Number SF-235 ■ 101515