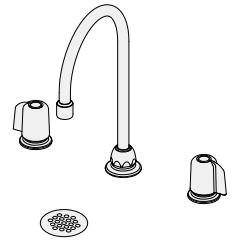


Location:



Lavatory Faucet S-254 Series

Specification Submittal



S-254-G, Standard handles with grid drain



Feature Highlights

- Two handle widespread lavatory faucet with quarter turn ceramic control components.
- 11-11/16 inch gooseneck rigid/swivel spout
- Blade handles with red/blue indicators
- Aerator with 2.2 gpm flow rate (8.3 L/min)

- 1/2 inch IPS shanks
- 8 - 16 inch centers
- Metal construction, polished chrome finish

Warranty


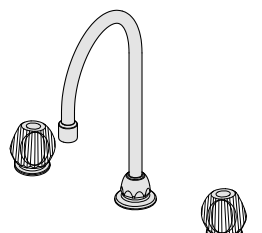
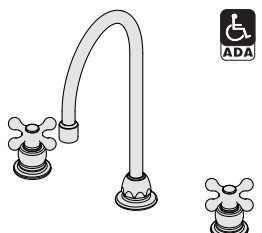
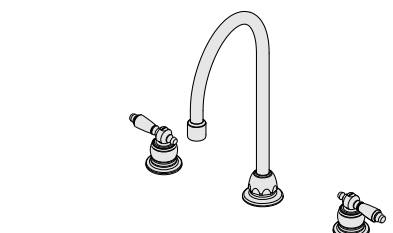
- Limited Lifetime - to the original end purchaser in consumer installations.
- 5 years - for commercial installations

Standards / Certifications

ASME A112.18.1/CSA B125.1
 NSF/ANSI 61.9; NSF/ANSI 372
 WaterSense: 1.5 gpm (5.7 L/min)



S-254 series handle options

S-254-LWG	S-254-LCT	S-254-CR	S-254-LAM, -LPO, -LCF, -LTM
			

Ordering Information

Model Numbers

Append appropriate -suffix to model number.

S-254 Faucet only with standard handles

Finish Options / Modifications

Append appropriate -suffix to model number.

- Polished chrome finish (standard)

Handle Options / Modifications

Append appropriate -suffix to model number.

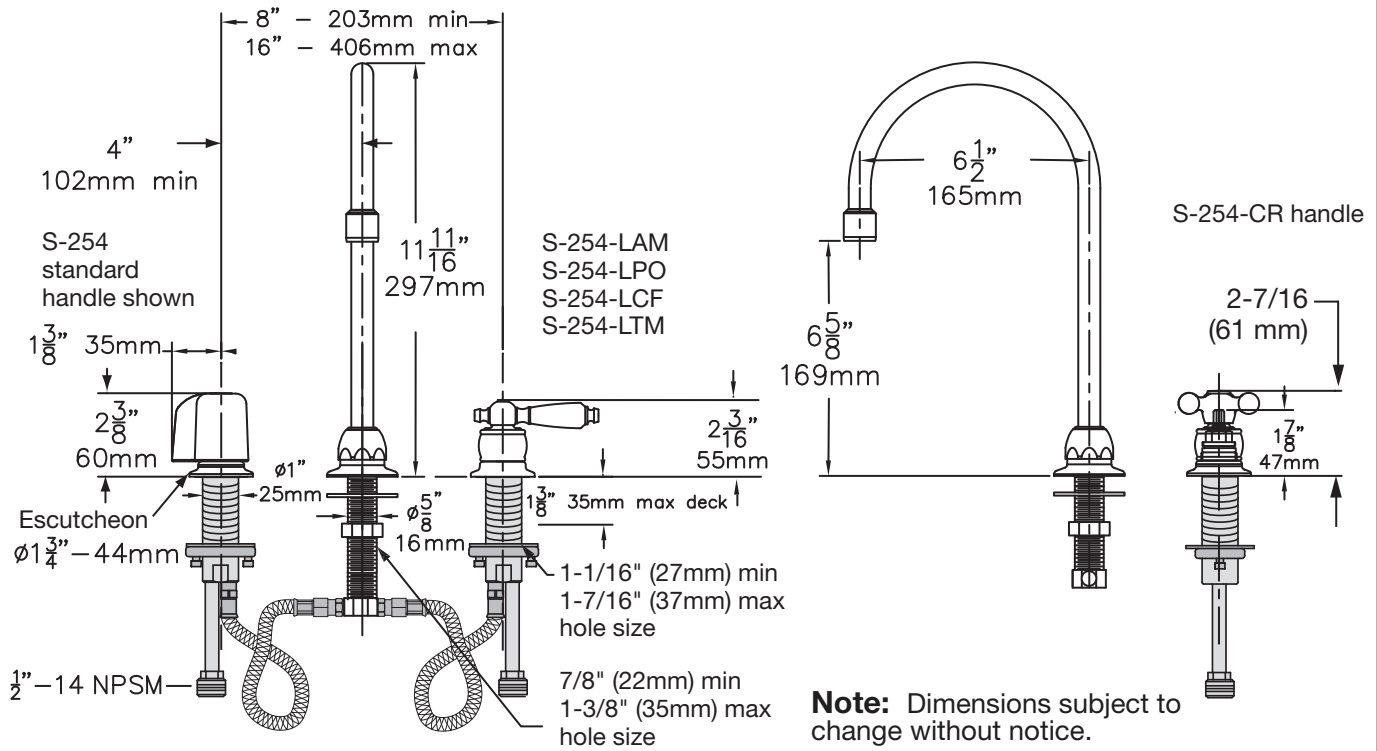
- LWG Wrist blade handle with metal finish and red & blue indicators on handles
- LCT Clear acrylic handle with red & blue indicators on handles
- CR Cross handle with metal finish, and red & blue indicators on handles
- LAM Lever handle with metal finish, metal insert and red & blue indicators
- LPO Lever handle with metal finish, white insert and red & blue indicators
- LCF Lever handle with metal finish, clear faceted insert and red & blue indicators
- LTM Lever handle with metal finish, red & blue indicators on handles

Other Options / Modifications

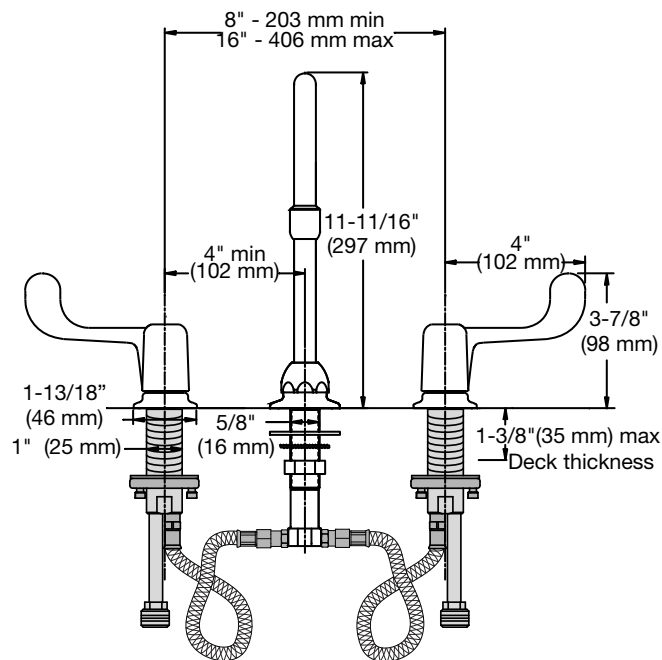
Append appropriate -suffix to model number.

- G Grid strainer drain assembly
- 1.5 1.5 gpm (5.7 L/min) aerator
- 1.0 1.0 gpm (3.8 L/min) aerator
- 0.5 Vandal resistant, 0.5 gpm (1.9 L/min) non-aerated spray
- VP Vandal resistant, standard 2.2 gpm (8.3 L/min) aerator
- NA Non-aerated, standard 2.2 gpm (8.3 L/min) laminar stream
- OFG Offset grid strainer

Dimensions Origins, S-254, S-254-CR, S-254-LAM, S-254-LPO, S-254-LCF, S-254-LTM

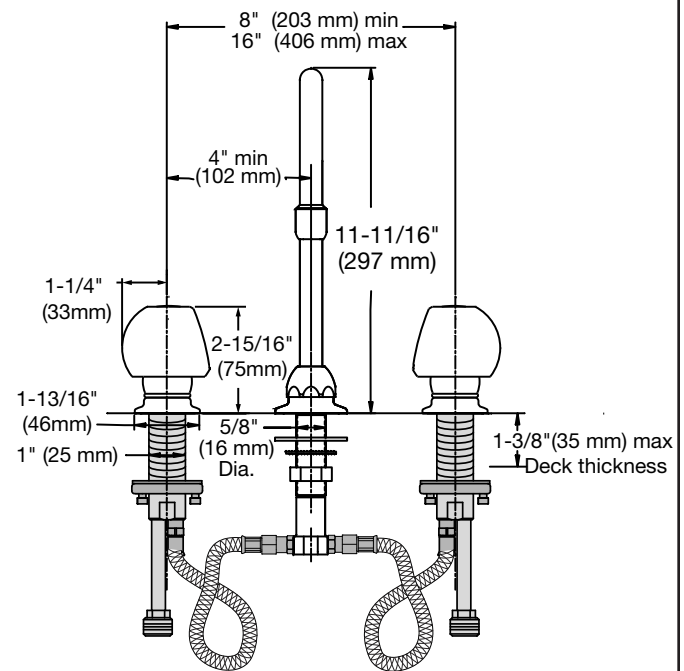


Dimensions Origins, S-254-LWG



Note: Dimensions subject to change without notice.

Dimensions Origins, S-254-LCT



Note: Dimensions subject to change without notice.