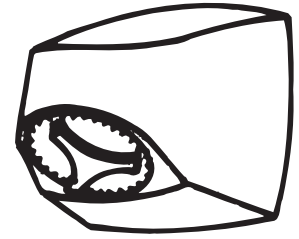


Location:



Institutional Showerhead 4-150



Specification Submittal

Model Numbers

- 4-150 Showerhead set at 30 degree spray angle
- 4-150-15 Showerhead set at 15 degree spray angle

Options / Modifications

Append appropriate -suffix to model number

-  -2.0 2.0 (7.6 L/min) Flow rate restrictor
-  -1.5 1.5 (5.7 L/min) Flow rate restrictor
- A Anchor plate for use with ceramic tile
- B Back plate and bolts for extra thick walls


Standards / Certifications

ASME A112.18.1; CSA B125.1

Accepted by NY State Office of Mental Health (NY OHM)



Feature Highlights

- Senior Institutional showerhead with mounting bracket
- 30 degree spray angle (standard) or 15 degree spray angle (optional)
- Single mode
- Showerhead is non-adjustable by user and has no removable parts
- Standard flow rate, 2.5 gpm (9.6 L/min)
Optional lower flow rate restrictor available 
- Polished chrome finish (standard)

Finish Options / Modifications

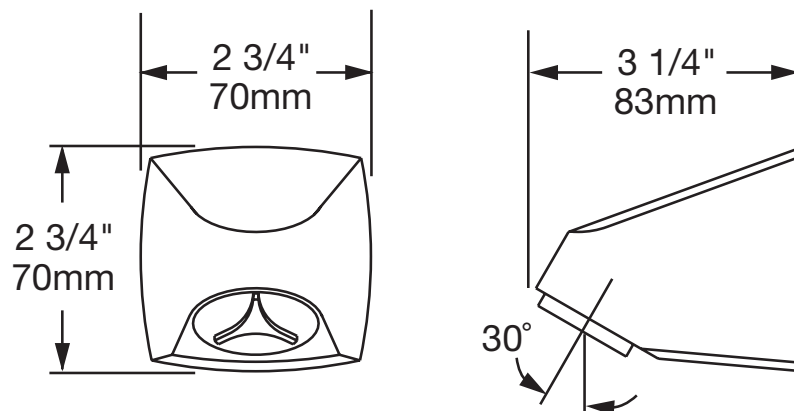
Append appropriate -suffix to model number

- Polished chrome finish (standard finish)

Warranty

- Limited Lifetime - to the original end purchaser in consumer installations.
- 5 years - for commercial installations

Dimensions Showerhead, 4-150



Note: Dimensions subject to change without notice.