


Location:

# SYMMONS® Dia™

## Hand Shower System 3503-H321-V-CYL-B Specification Submittal



### Feature Highlights

- Symmons Hand Shower System with Symmons Temptrol® pressure-balancing mixing valve with adjustable stop screw to limit handle turn
- Screwless brass escutcheon (-B)
- Cylinder (-CYL) style lever handle
- Standard flow rate is 2.5 gpm (9.5 L/min)  
*Optional lower flow rate restrictor available* 
- Wall/hand shower, single mode, #H321-V with 5 foot flexible metal hose, in-line vacuum breaker, wall connection and cradle for hand shower mounting
- 30 inch slide bar for mounting hand shower
- Polished chrome finish (standard)

### Model Numbers

- 3503-H321-V-CYL-B  
Hand Shower System with Symmons Temptrol® mixing valve p/n 4000-BODY
- 3503-H321-V-CYL-B-TRM  
Trim only, valve must be ordered separately
- 4000-BODY  
Symmons Temptrol® mixing valve without trim
- 4000-X-BODY  
Symmons Temptrol® mixing valve without trim. Valve includes integral service stops to allow water shut-off for service

### Finish Options / Modifications

*Append appropriate -suffix to model number*

- STN Satin nickel
  - Polished chrome (standard finish)

### Standards / Certifications



ASME A112.18.1-2005 / CSA B125.1-05  
Americans with Disabilities Act (ADA) compliant

### Warranty

- 5 years - for commercial installations

### Options / Modifications

*Append appropriate -suffix to model number*

- IPS IPS connections: 1/2 inch female IPS connections on Temptrol® mixing valve
- X Service Stops: Temptrol® mixing valve includes integral service stops to allow water shut-off for service, p/n 4000-X-BODY (available when ordering 3503-H321-V-CYL-B)
- CHKS Check Stops: Temptrol® mixing valve includes integral check stops (Requires integral service stops, suffix -X. Used in installations where a positive shut-off device is used downstream of mixing valve.)
- REV Reverse core: Temptrol® mixing valve with reverse core. (Requires integral service stops, suffix -X. Used in back-to-back system installations. HOT on the right, COLD on the left)
- Delete Suffix B Chrome plastic escutcheon chrome plastic escutcheon is supplied instead of standard brass escutcheon
-  -2.0 Flow rate restrictor, 2.0 gpm (7.6 L/min)
-  -1.5 Flow rate restrictor, 1.5 gpm (5.7 L/min)
- L/HS Hand Shower wand not included, Includes hose, in-line vacuum breaker, wall connections and flange only
- QD Quick-disconnect on hand shower
- 72 6 foot metal hose in place of 5 foot hose
- R60 Vinyl 5 foot hose in place of metal hose
- R72 Vinyl 6 foot hose in place of metal hose
- T24 24 inch grab bar assembly
- T36 36 inch grab bar assembly

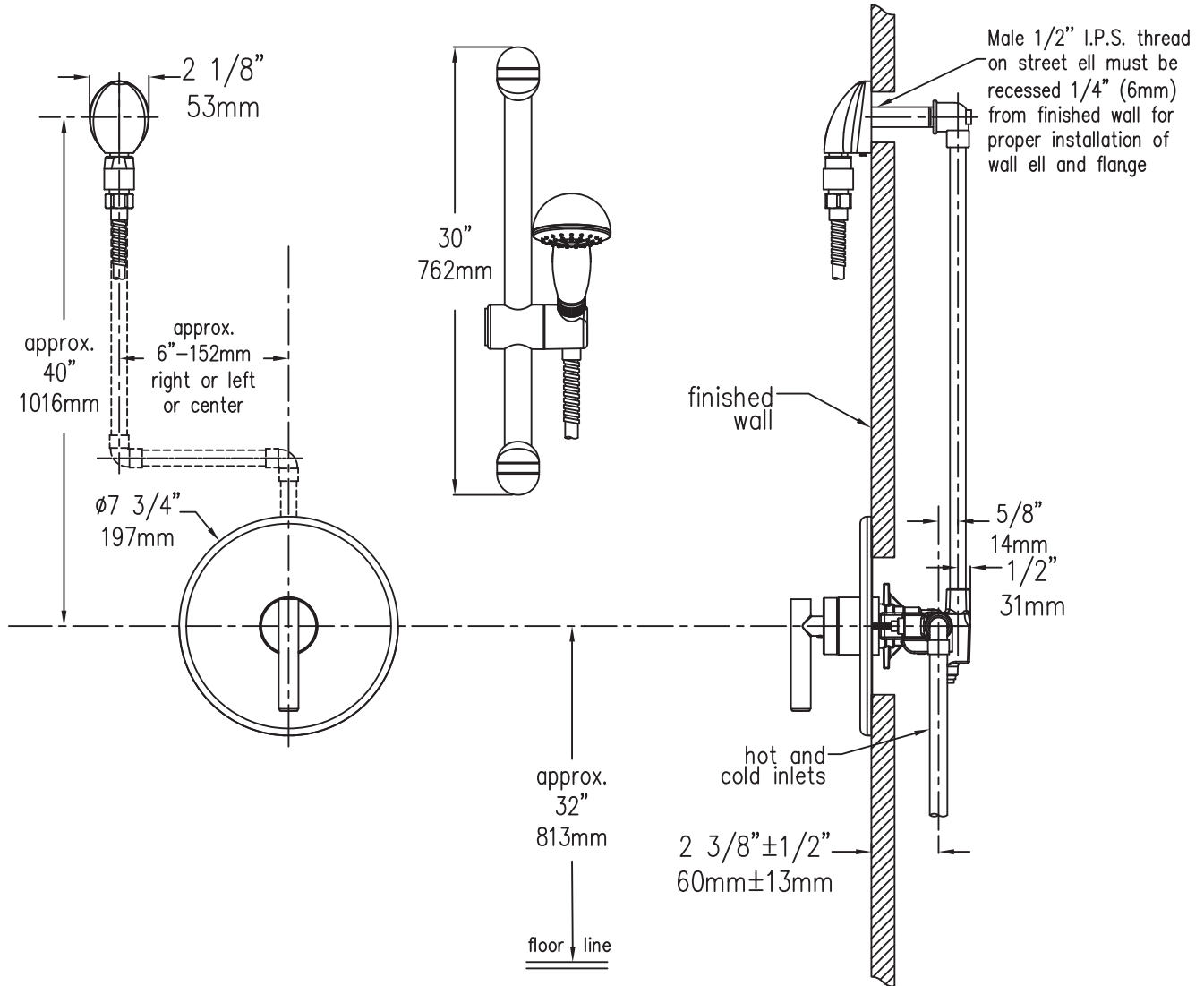
### Handle Options / Modifications

*Append appropriate -suffix to model number*



- LR Lever handle
- LP Loop style lever handle

**Dimensions** Dia Hand Shower System, 3503-H321-V-CYL-B



**Note:** Dimensions subject to change without notice