



SYMMONS®

Visu-Temp Shower System

1-100VT-FS-X

Installation Brief



Need Help?

Contact Symmons customer service at
(800) 796-6667, (781) 848-2250
Email: customerservice@symmons.com
Monday - Friday 8:00 am - 7:30 pm EST



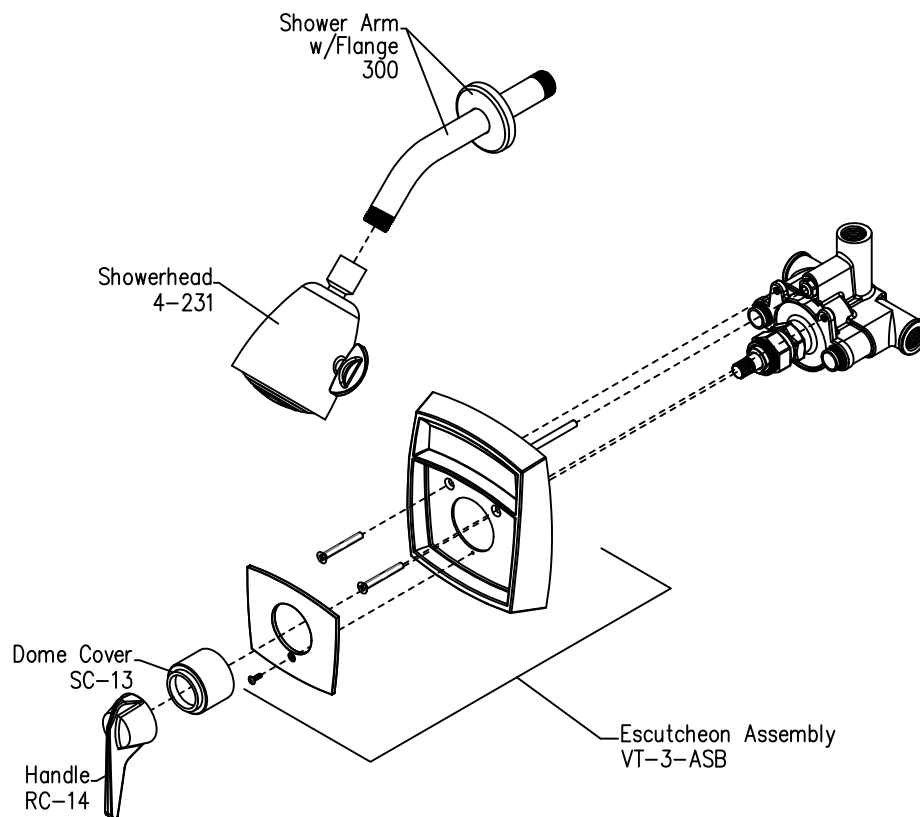
Please check Symmons website for technical help,
the latest product information and warranty policy.

Website: www.symmons.com/service

Product Highlights

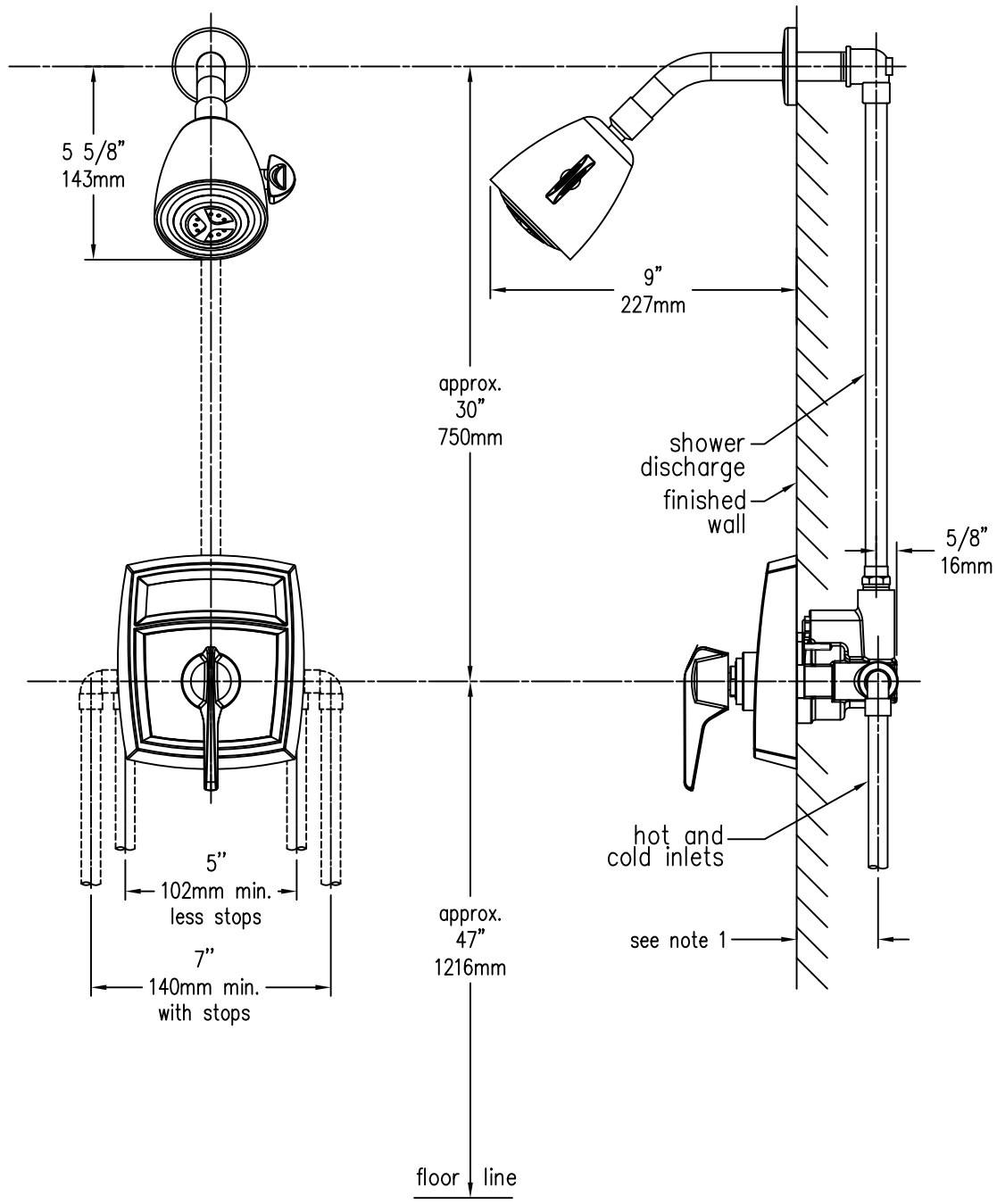
- Pressure balancing mixing valve with integral thermometer
- Adjustable stop screw to limit handle turn
- Integral service stops to allow water shut-off at valve for service
- Polished chrome finish

Parts Assembly



*See separate installation instructions
for control valve replacement parts.*

Dimensions



Notes:

- (1) Rough-in: 2-1/2" (64mm) min, 3" (76mm) max. On 2"x4" construction, use 2-1/2" (64mm) min. rough-in.
- (2) Dimensions and product structure are subject to change without notice.

Symmons Industries, Inc. ■ 31 Brooks Drive ■ Braintree, MA 02184
 (800) 796-6667, (781) 848-2250 ■ Fax (800) 961-9621, (781) 843-3849
 Website: www.symmons.com ■ Email: customerservice@symmons.com

SYMMONS[®]
 the smart choice™