

SYMMONS® Symmetrix®

Bar Sink and Lavatory Faucet, S-245 & 249 Series

Installation and Service Instructions

INSTALLATION:

Caution: Be sure to turn off hot and cold water supplies before installing or servicing faucet.

1. Align flat edge of escutcheon showing logo with the back of sink. Insert faucet supplies through holes in sink. Secure faucet to sink by tightening flange nuts (KN-116) from underside. (If sink or counter surface is uneven, use putty or sealant to make proper seal under base.)
2. Connect hot supply to left tube and cold supply to right tube using appropriate connectors.
3. **It is very important to thoroughly flush the supply lines to prevent foreign matter, i.e. copper chips, sand, stones, etc. from damaging the sealing surfaces of cartridge.** Remove aerator (bar faucet) and turn cold valve handle on to full cold position, open cold supply. Without closing, turn hot valve handle to full hot position and open hot supply. Let water run in hot only and cold only positions long enough to flush supply lines thoroughly. Shut off faucet and replace aerator. Check for leaks.

Cartridge Replacement

Faucets with standard LCT handles

1. Remove plug button (T-33, T-33R or T-33B), loosen philip head screw (LN-121A) and remove handle (LN-140, LN-131 or LN-102).



S-249 with std LCT handles



S-245 with std LCT handles

2. Place wrench on cartridge hex nut (KN-113, KN-114). Turn wrench counter clockwise until cartridge is removed.
3. Install new cartridge. Turn cartridge with wrench until cartridge does not turn easily then turn 1/4 or 1/2 turn further. Reassemble handle in reverse fashion.

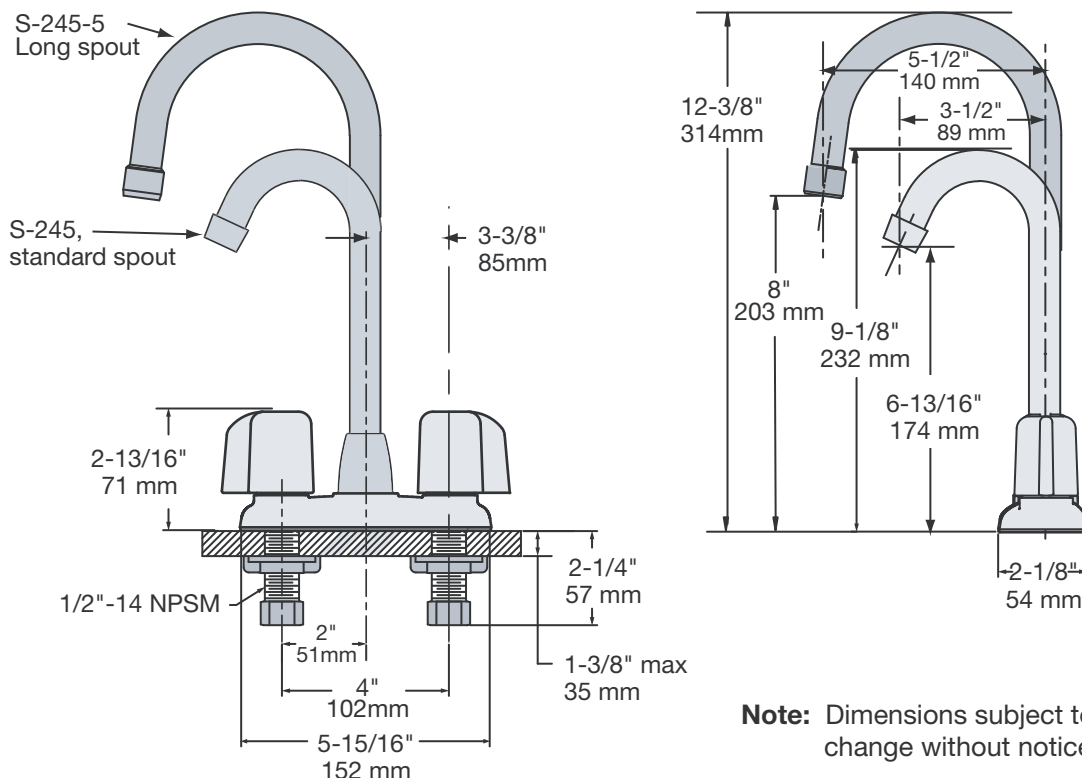
Faucets with optional LCF, LPO or LAM handles:

1. Loosen philip oval head screw (LN-134) and remove handle (LN-152).
2. Remove collar (LN-112) by turning counter clockwise, do not use wrench as this may damage the surface finish.
3. Place wrench on cartridge hex nut (KN-113, KN-114). Turn wrench counter clockwise until cartridge is removed.
4. Install new cartridge. Turn cartridge with wrench until cartridge does not turn easily then 1/4 or 1/2 turn further. Reassemble handle in reverse fashion.

To lock spout:

1. See instructions in lock (BL-114) package.

Dimensions Symmetrix® Bar Sink Faucet, S-245 and S-245-5



Note: Dimensions subject to change without notice.