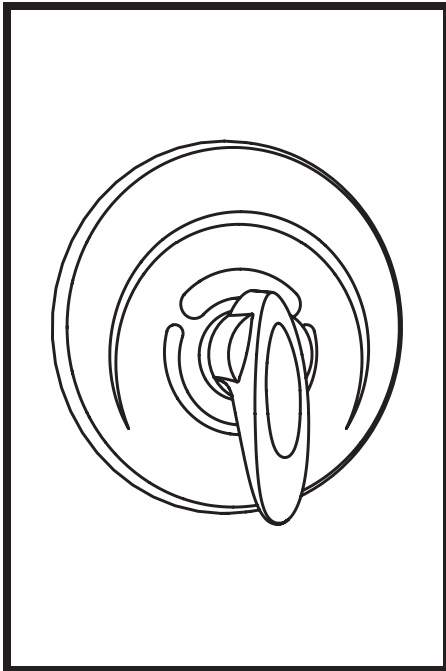


4-500 Safetymix® Tub and Shower Valve

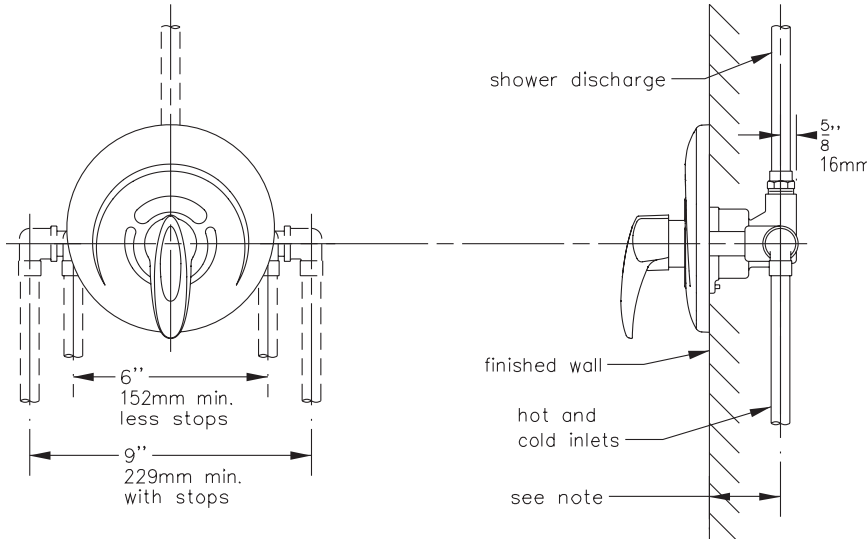
Safetymix Pressure-Balancing mixing valve with lever handle and adjustable stop screw to limit handle turn.

Modifications:

- Suffix X:** Integral service stops—allows water shut-off at valve for service
- Suffix X-3/4:** 3/4" valve to increase flow approximately 20%
- Suffix X-REV:** Reverse coring, hot on right, cold on left, for back to back installations with integral stops only
- Suffix BX:** Back connection and integral stops
- Suffix X-CHKS:** Integral check stops - for use in installations where a positive shut-off device is used downstream of mixing valve



**SYMMONS PRODUCTS MEET
ANSI A112.18.1M, EPA '92
AND ALL KNOWN FLOW RATE
REQUIREMENTS.
Shower Heads and Hand Showers
2.5 GPM (9.5 L/min)**



NOTE: 2-3/8" (60mm) min.
3" (76mm) max. 2-5/16" (59mm)
fixed dim. metal stall.
Valve inlets and outlets are
1/2" (13mm) IPS connections.

Job/Location

.....
.....

Engineer

.....
.....

Contractor

.....
.....

This drawing to be used for rough-in installation only. All floor to center dimensions optional. Concealed piping and fittings not furnished by manufacturer. For ADA compliance (Americans with Disabilities Act) consult ADAAG or your state regulations for proper product choice and mounting locations. For complete installation, adjustment and service information see installation instructions.

Symmons Industries, Inc. ■ 31 Brooks Drive ■ Braintree, MA 02184
(800) 796-6667, (781) 848-2250 ■ Fax (800) 961-9621, (781) 843-3849
Website: www.symmons.com ■ Email: customerservice@symmons.com

