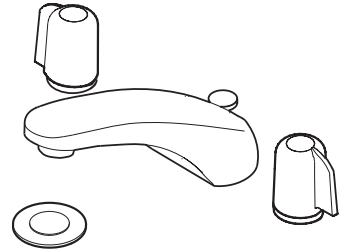


Location:




S-244-2, Standard blade handle

Widespread Lavatory Faucet S-244 Series


Specification Submittal

Feature Highlights

- Two handle widespread lavatory faucet with quarter turn ceramic control components.
- Standard blade handles with red-blue indicators on handle
- 1/2 inch IPS shanks, 8-16 inch centers
- Aerator with 2.2 gpm flow rate (8.3 L/min)
Optional aerator available in lower flow rates 
- Polished chrome finish (standard)

Standards / Certifications

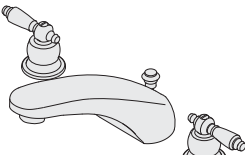

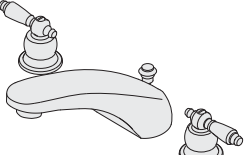

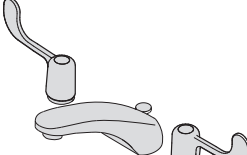

ASME A112.18.1-2005/CSA B125.1-05

ADA compliant lever handles 

Warranty

- Limited Lifetime - to the original end purchaser in consumer installations.
- 5 years - for commercial installations

S-244 series handle options

LAM	LPO	LWG
  ADA compliant lever handles	  ADA compliant lever handles	  ADA compliant lever handles

Model Numbers

Append appropriate -suffix to model number.

- S-244 Faucet only
- S-244-0 Faucet only, with no lift rod hole
- S-244-1 Faucet with lift rod
- S-244-2 Faucet with pop-up drain & lift rod

Handle Options / Modifications

Append appropriate -suffix to model number.

- LAM Lever handle with metal finish, metal insert and red & blue indicators
- LPO Lever handle with metal finish, white insert and red & blue indicators
- LWG Wrist blade handle with metal finish and red & blue indicators on handles

Finish Options / Modifications




Append appropriate -suffix to model number.

- STN Satin nickel finish*
- Standard chrome finish

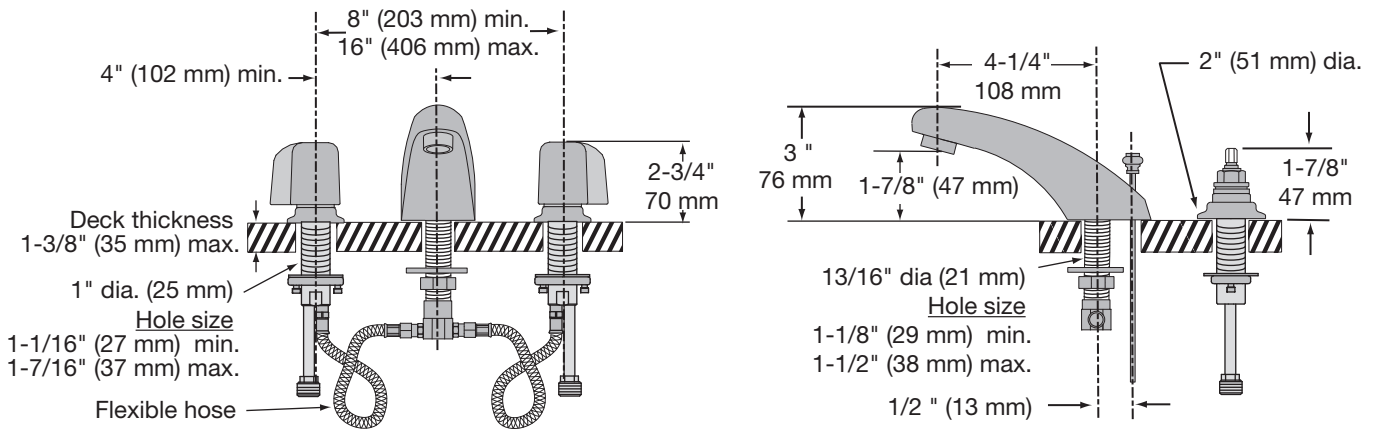
*Note Handles with red/blue indicators are not available with decorative finishes.

Other Options / Modifications

Append appropriate -suffix to model number.

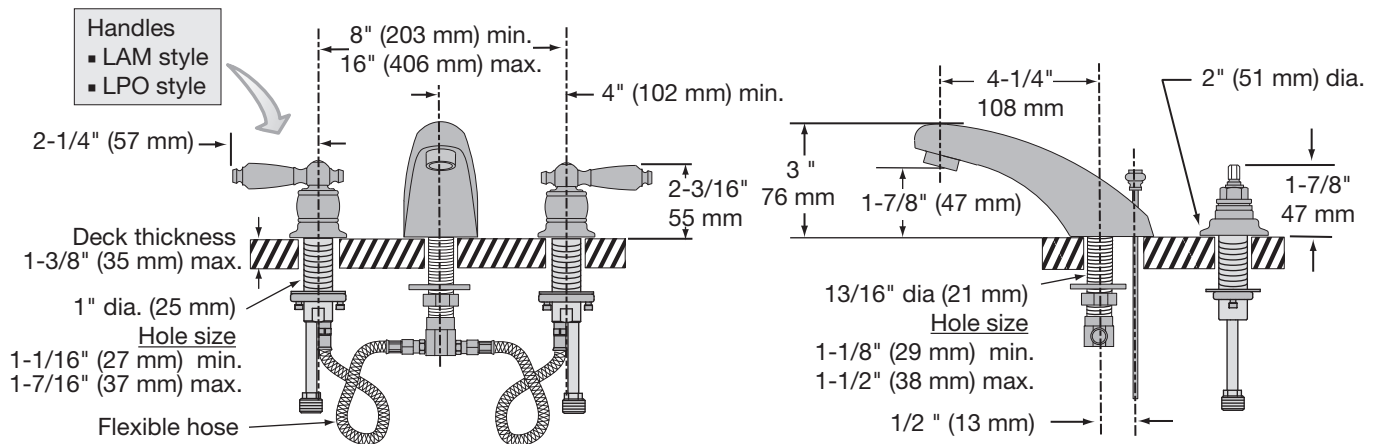
- G Grid drain in lieu of pop-up drain (S-244-2-only, no lift rod hole & lift rod)
- OFG Offset grid strainer (S-244-2 only, no lift rod hole & lift rod)
- IPS 1/2 inch IPS connections
-  -1.5 Aerator, 1.5 gpm (5.7 L/min) flow restrictor
-  -1.0 Aerator, 1.0 gpm (3.8 L/min) flow restrictor
-  -0.5 Aerator, 0.5 gpm (1.9 L/min) flow restrictor
- VP Vandal resistant (standard aerator with 2.2 gpm / 8.3L/min flow-rate only)
- NA Non-aerated laminar flow outlet

Dimensions *Symmetrix Widespread Lavatory Faucet, S-244 with standard blade handle*



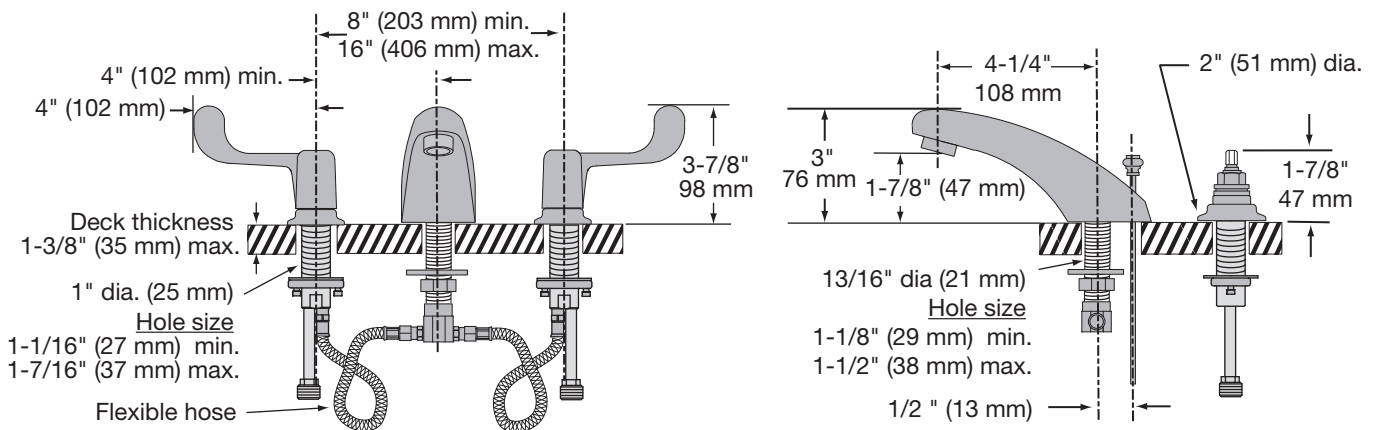
Note: Dimensions subject to change without notice.

Dimensions *Symmetrix Widespread Lavatory Faucet, S-244-1-LAM and S-244-1-LPO*



Note: Dimensions subject to change without notice.

Dimensions *Symmetrix Widespread Lavatory Faucet, S-244-1-LWG*



Note: Dimensions subject to change without notice.