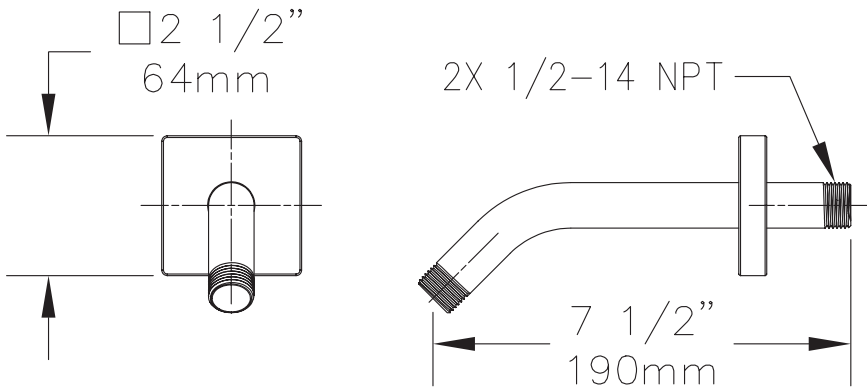
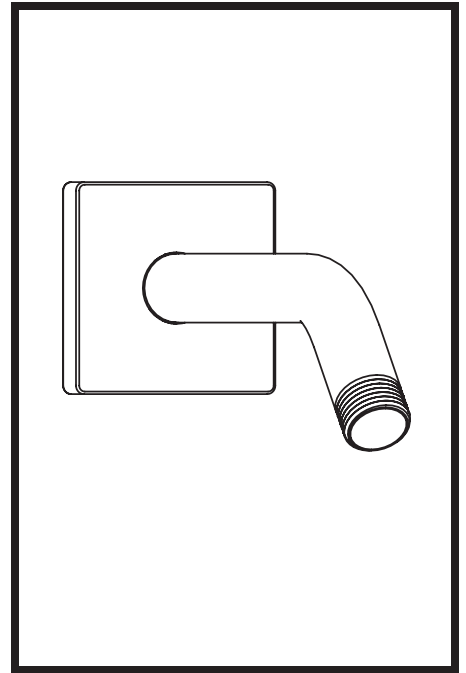


# 300SQ Shower Arm

Symmons long shower arm with square flange. Polished chrome finish.

Dimensions are subject to change.



Job/Location

.....  
.....

Engineer

.....  
.....

Contractor

.....  
.....

Symmons Industries, Inc. ■ 31 Brooks Drive ■ Braintree, MA 02184  
 (800) 796-6667, (781) 848-2250 ■ Fax (800) 961-9621, (781) 843-3849  
 Website: [www.symmons.com](http://www.symmons.com) ■ Email: [customerservice@symmons.com](mailto:customerservice@symmons.com)

©2008 Symmons Industries, Inc. Printed in U.S.A. ■ 053008

