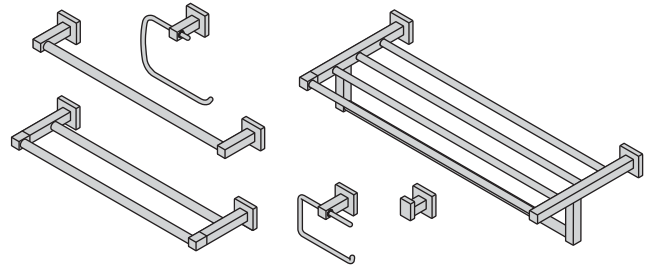




363DTB-18, 363DTB-24, 363RH, 363TB-18,
363TB-24, 363TP, 363TR, 363TS-22

Duro™ Accessories

Operation & Maintenance Manual



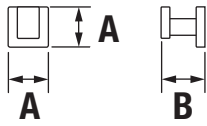
Model Numbers	Specifications
<input type="checkbox"/> 363DTB-18 <i>18" Double Towel Bar</i>	All premium accessories made from brass plated in standard polished chrome finish.
<input type="checkbox"/> 363DTB-24 <i>24" Double Towel Bar</i>	
<input type="checkbox"/> 363RH <i>Robe Hook</i>	
<input type="checkbox"/> 363TB-18 <i>18" Towel Bar</i>	
<input type="checkbox"/> 363TB-24 <i>24" Towel Bar</i>	
<input type="checkbox"/> 363TP <i>Toilet Paper Holder</i>	
<input type="checkbox"/> 363TR <i>Towel Ring</i>	
<input type="checkbox"/> 363TS-22 <i>Towel Shelf with Bar</i>	
Modifications	Warranty
<input type="checkbox"/> -STN <i>Satin nickel finish</i>	Limited Lifetime - to the original end purchaser in consumer installations. 5 Years - for commercial installations.
<p>Note: Append appropriate -suffix to model number.</p>	Refer to www.symmons.com/warranty for complete warranty information.

363DTB-18, 363DTB-24, 363RH, 363TB-18, 363TB-24, 363TP, 363TR, 363TS-22
Duro™ Accessories

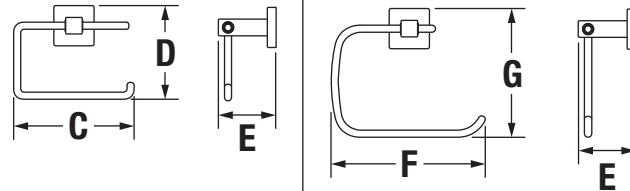
Operation & Maintenance Manual

Dimensions

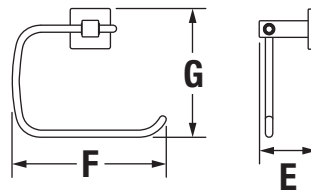
363RH



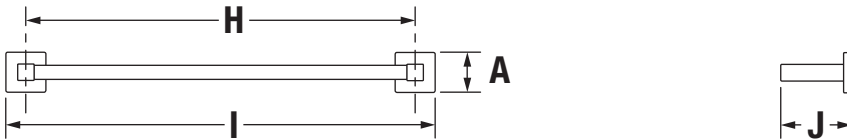
363TP



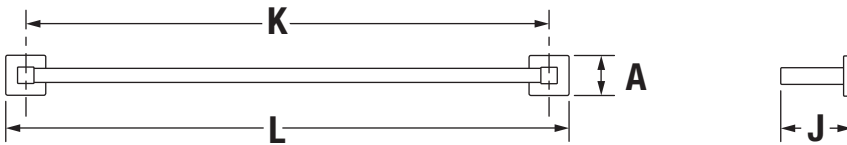
363TR



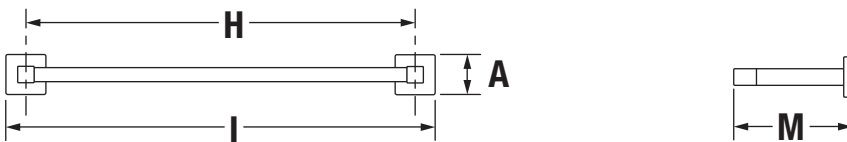
363TB-18



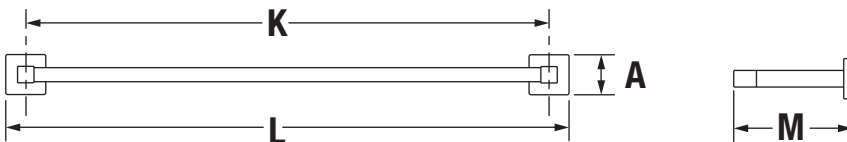
363TB-24



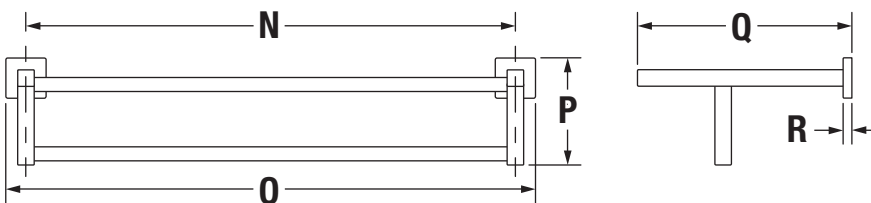
363DTB-18



363DTB-24



363TS-22



Measurements	
A	1 7/8", 48 mm
B	2", 51 mm
C	5 3/8", 137 mm
D	4 1/8", 105 mm
E	2 1/2", 64 mm
F	6 7/8", 175 mm
G	5 3/4", 146 mm
H	17 3/4", 451 mm
I	19 1/2", 495 mm
J	3 1/4", 83 mm
K	23 3/8", 594 mm
L	25 1/8", 638 mm
M	5 5/16", 135 mm
N	22", 559 mm
O	23 5/8", 600 mm
P	4 3/4", 121 mm
Q	9 1/2", 241 mm
R	1 3/4", 45 mm

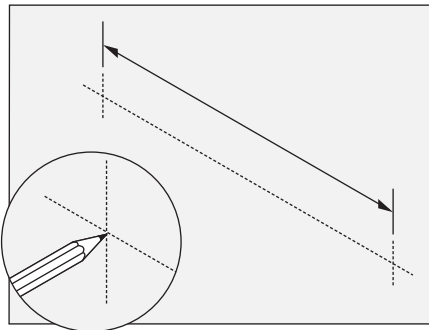
Note: Dimensions are subject to change without notice.

363DTB-18, 363DTB-24, 363RH, 363TB-18, 363TB-24, 363TP, 363TR, 363TS-22
Duro™ Accessories

Operation & Maintenance Manual

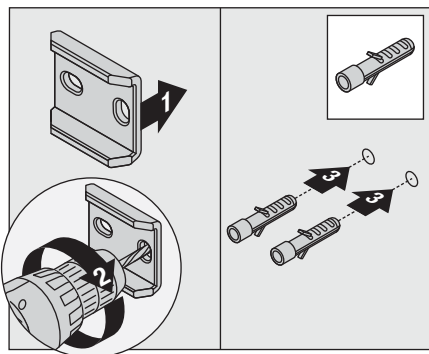
Installation

- 1) Measure and mark centerlines for mounting bracket installation using dimensions on page 2.

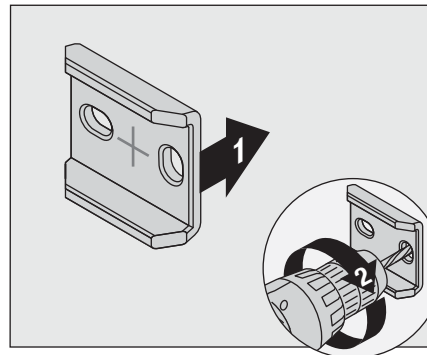


Notes: 363DTB-18, 363DTB-24, 363TB-18, 363TB-24, 363TS-22 only. Make sure both centerline marks are level.

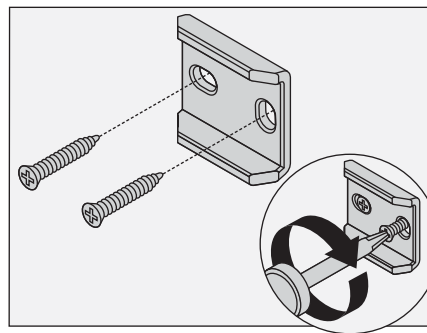
- 2a) **Dry Wall Option:** Place mounting brackets into desired position. Using brackets as a guide, carefully drill 3/16" holes into wall. Remove brackets and install anchors.



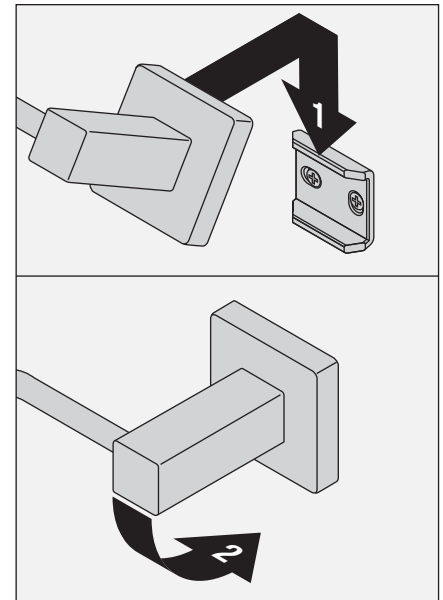
- 2b) **Stud Option:** Center bracket on centerline. Using brackets as a guide, carefully drill 3/16" holes into wall.



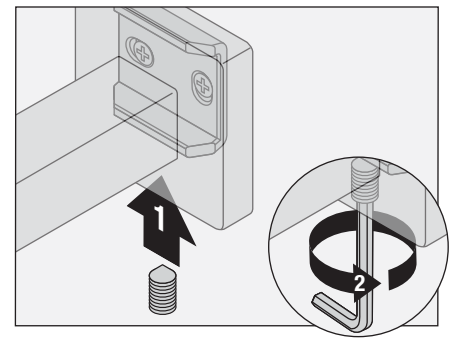
- 3) With mounting brackets in position, secure to wall using screws.



- 4) Hang top of accessory on mounting bracket. Lower into position.



- 5) Secure with set screw.



Care and Cleaning

- 1) Clean finished trim area with a soft cloth using mild soap and water or a non-abrasive cleaner and then quickly rinse with water.