



Lavatory Faucet SLS-3512, SLS-3510

Installation Brief



Model SLS-3512

Model Numbers

SLS-3512 Lavatory faucet with lift rod and pop-up drain, p/n LN-01295

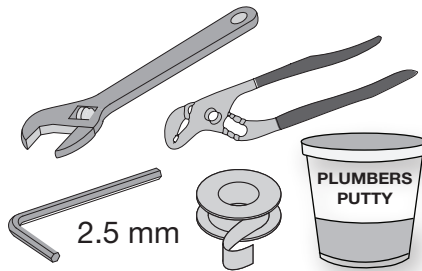
SLS-3510 Lavatory faucet only, p/n LN-01296

Decorative Finishes

Append finish suffix code to replacement part numbers when applicable

- Polished chrome (standard)

Tools & Materials



Need Help?

Contact Symmons customer service at (800) 796-6667, (781) 848-2250

Email: customerservice@symmons.com
Monday - Friday 7:30 am - 7:00 pm EST

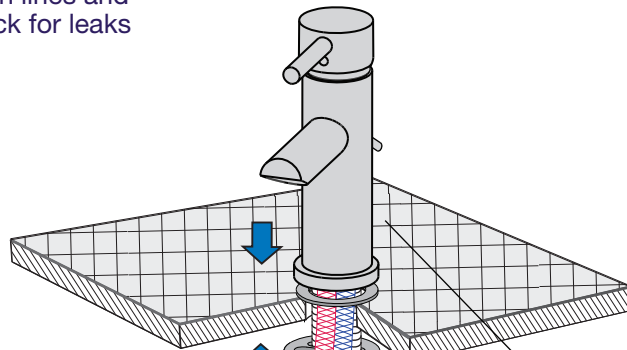
Please check Symmons website for technical help, the latest product information and warranty policy.

www.symmons.com/service

Quick Install Guide Dia Lavatory Faucet, SLS-3512, SLS-3510



Step 3
Flush lines and check for leaks



Step 1
Attach faucet assembly

Step 2
Connect supply hoses

HOT COLD

Pop-up Drain

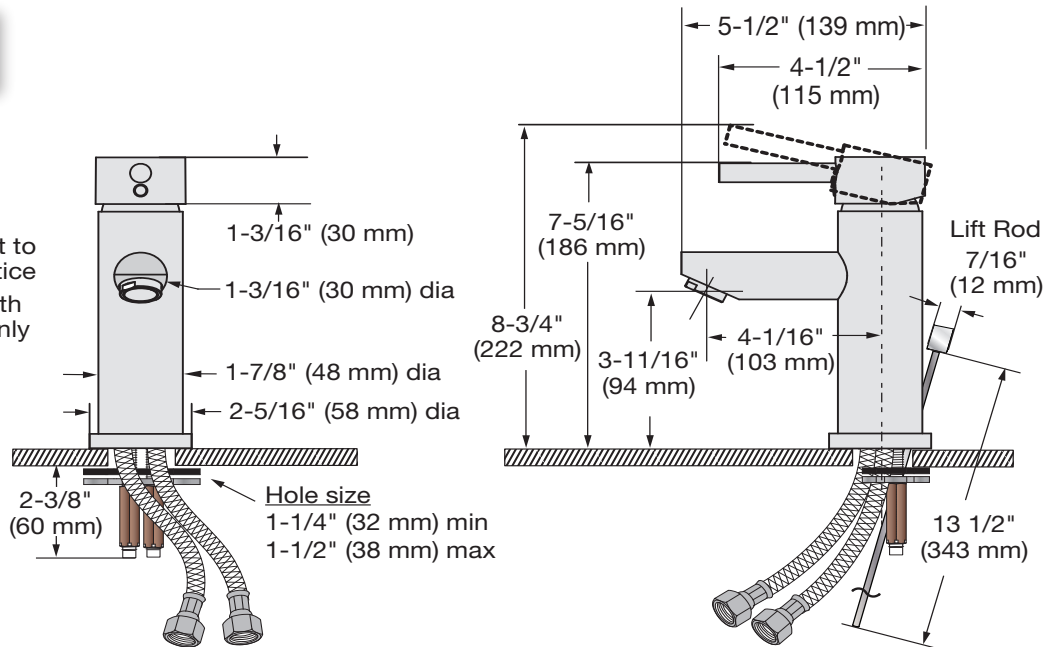
Model	Part No.
SLS-3512	LN-01295
SLS-3510	LN-01296

Dimensions Dia Lavatory Faucet, SLS-3512, SLS-3510

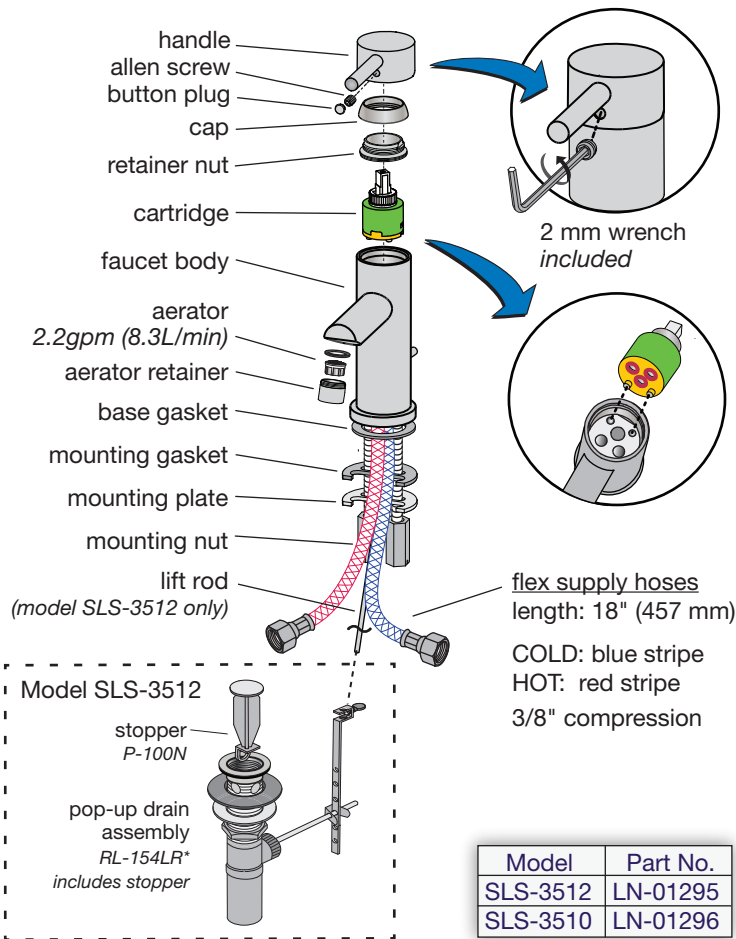
Model	Part No.
SLS-3512	LN-01295
SLS-3510	LN-01296

Note:

- (1) Dimensions subject to change without notice
- (2) Lift rod included with model SLS-3512 only



Parts Assembly Dia Lavatory Faucet, SLS-3512, SLS-3510



Model	Part No.
SLS-3512	LN-01295
SLS-3510	LN-01296

Replacement Parts

Part Number	Item	
LN-01413	Cartridge	
LN-15*	<u>Aerator kits</u>	
FLR-110-1.5*	2.2 gpm (8.3 L/min)	
FLR-110-1.0*	1.5 gpm (5.7 L/min)	
RL-071*	1.0 gpm (3.8 L/min)	
	0.5 gpm (1.9 L/min)	
	includes aerator, retainer & washer	
LN-15-2.2-NA*	<u>Non-aerated laminar flow outlet kits</u>	
LN-15-1.5-NA*	2.2 gpm (8.3 L/min)	
LN-15-1.0-NA*	1.5 gpm (5.7 L/min)	
	1.0 gpm (3.8 L/min)	
	includes aerator, retainer & washer	
LN-01386	<u>Handle kit</u>	
	includes handle, allen screw & RB button plug	
	requires 2 mm Allen wrench	
LN-01935	<u>Mounting hardware kit</u>	
	threaded studs (2)	
	hex nut (2)	
	rubber washer (1)	
	metal washer (1)	

Ordering replacement parts:

Call Symmons customer service at (800) 796-6667, M-F 7:30 am - 7:00 pm EST or check our website at www.symmons.com for a list of Symmons distributors.

* Note: For decorative finish faucets append the appropriate suffix code letters to part numbers marked with an asterisk (*)