

Location:



SYMMONS® Dia™
Shower/Hand Shower System 3505-H321-V-CYL-B
Specification Submittal

Feature Highlights

- Symmons Shower/Hand Shower System featuring Symmons Temptrol® pressure-balancing mixing valve with adjustable stop screw to limit handle turn
- Screwless brass escutcheon (-B)
- Cylinder (-CYL) style lever handles
- Separate dual outlet diverter valve
- Showerhead, single mode #352SH
- Mounting bracket and flange for showerhead
- Standard flow rate is 2.5 gpm (9.5 L/min)
Optional lower flow rate restrictor available
- Wall/hand shower, single mode, #H321-V with 5 foot flexible metal hose, in-line vacuum breaker, wall connection and cradle for hand shower mounting
- 30 inch slide bar for mounting hand shower
- Polished chrome finish (standard)

Model Numbers

- 3505-H321-V-CYL-B
Shower/Hand Shower System with Symmons Temptrol mixing valve p/n 46-2-BODY
- 3505-H321-V-CYL-B-TRM
Trim only, valve must be ordered separately
- 46-2-BODY
Symmons Temptrol mixing valve without trim
- 46-2X-BODY
Symmons Temptrol mixing valve without trim. Valve includes integral service stops
- 2DIV-BODY
Symmons dual outlet diverter valve without trim

Finish Options / Modifications

Append appropriate -suffix to model number

- STN Satin nickel
- Polished chrome (standard finish)

Standards / Certifications

ASME A112.18.1/CSA B125.1







Warranty

Limited Lifetime - to the original end purchaser in consumer/residential installations.
 5 Years - for industrial/commercial installations.

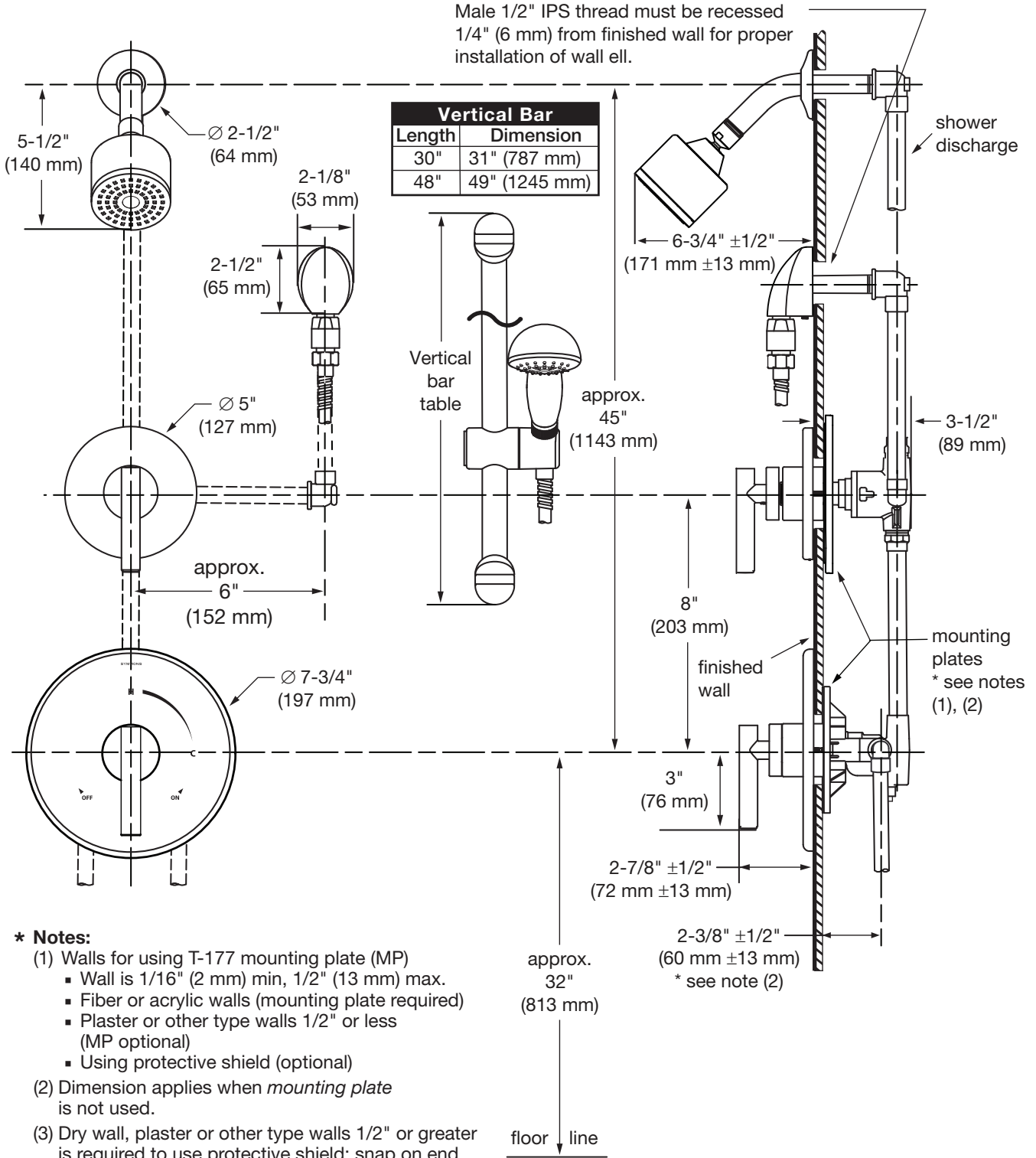
Options / Modifications

Append appropriate -suffix to model number

-  -1.5 1.5 gpm (5.7 L/min) flow restrictor
- 2.0 2.0 gpm (7.6 L/min) flow restrictor
- 72 72" hose in place of 60" hose
- ADACHS ADA hand shower wand (chrome)
- ADAHS ADA hand shower wand (white)
- Delete Chrome plastic escutcheon on valve with color graphics/indicators in place of standard brass escutcheon
- H323-V 3 mode hand shower unit with slide bar in place of standard hand shower unit
- H323-V-48 3 mode hand shower unit with 48" slide bar in place of standard hand shower unit
- IPS 1/2" female IPS connections
-  -LP Loop handle
-  -LR Lever handle
- L/HD Less showerhead
- L/HS Less hand shower
-  -NS Non-shared diverter valve for 3505 and 3506 series
- QD Quick-disconnect on hand spray units
- R 72" white vinyl hose in place of 60" metal hose
- REB Rebuild trim kit, includes TA-10 and TA-4
- REV Reverse coring, hot on right, cold on left, for back to back installations
- SH2 Alternative 352SH-3, 3 mode showerhead
- SH3 Alternative 362SH Duro showerhead
- SH4 Alternative 361SH Duro square showerhead
- T724 24" slide bar/grab bar with ADA hand shower in place of standard hand shower unit
- T736 36" slide bar/grab bar with ADA hand shower in place of standard hand shower unit
- T748 48" slide bar/grab bar with ADA hand shower in place of standard hand shower unit
- VB Elevated vacuum breaker
- VP Vandal resistant escutcheon screws in place of standard screws
- X Integral service stops - allows water shutoff at valve for service
- X-CHKS Integral check stops - for use in installations where a positive shut-off device is used downstream of mixing valve

Dimensions Dia Shower/Hand Shower, 3505-H321-CYL-B

Male 1/2" IPS thread must be recessed 1/4" (6 mm) from finished wall for proper installation of wall ell.



*** Notes:**

- (1) Walls for using T-177 mounting plate (MP)
 - Wall is 1/16" (2 mm) min, 1/2" (13 mm) max.
 - Fiber or acrylic walls (mounting plate required)
 - Plaster or other type walls 1/2" or less (MP optional)
 - Using protective shield (optional)
- (2) Dimension applies when *mounting plate* is not used.
- (3) Dry wall, plaster or other type walls 1/2" or greater is required to use protective shield; snap on end of valve spindle.....
- (4) Dimensions subject to change without notice

